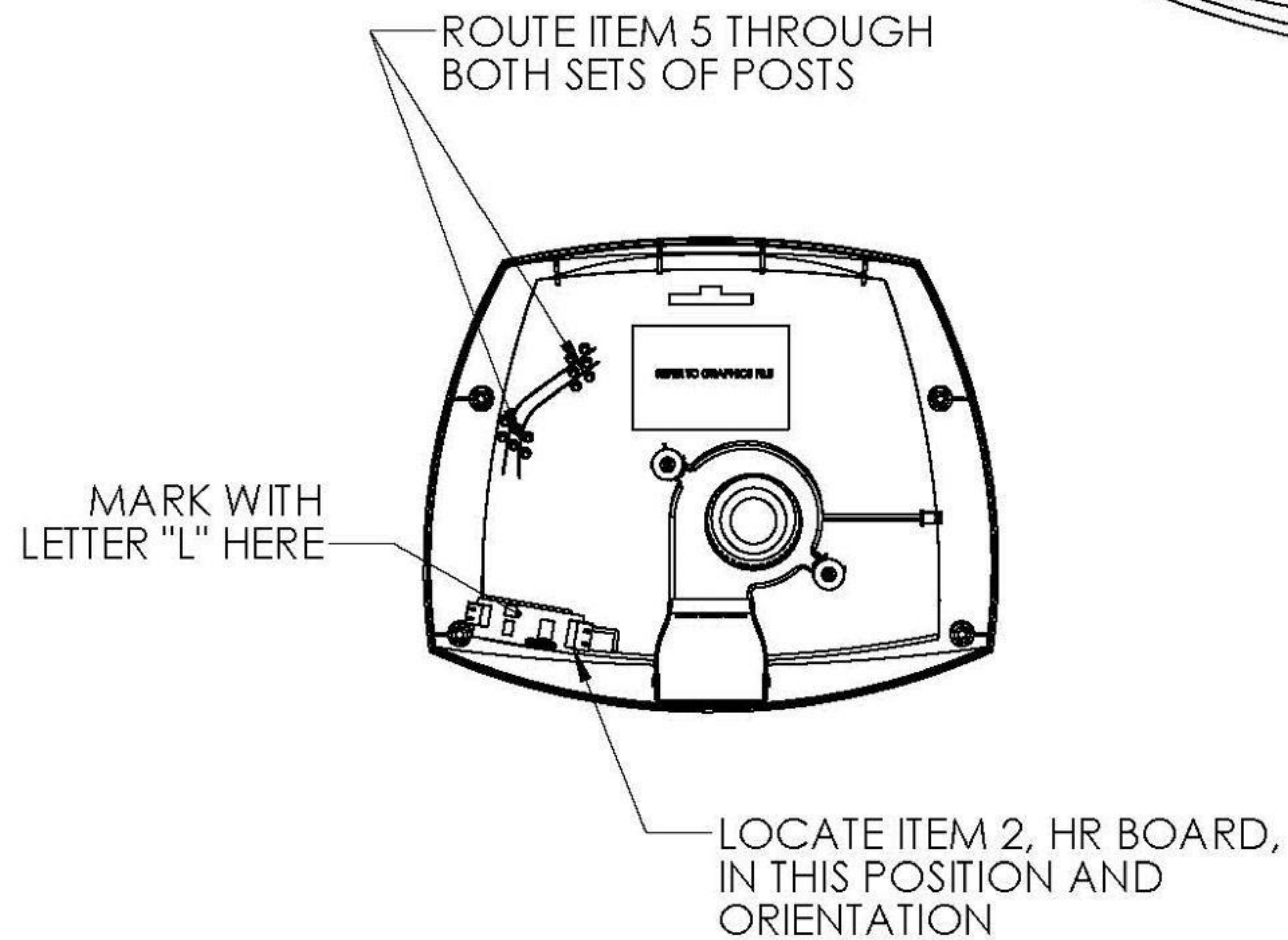
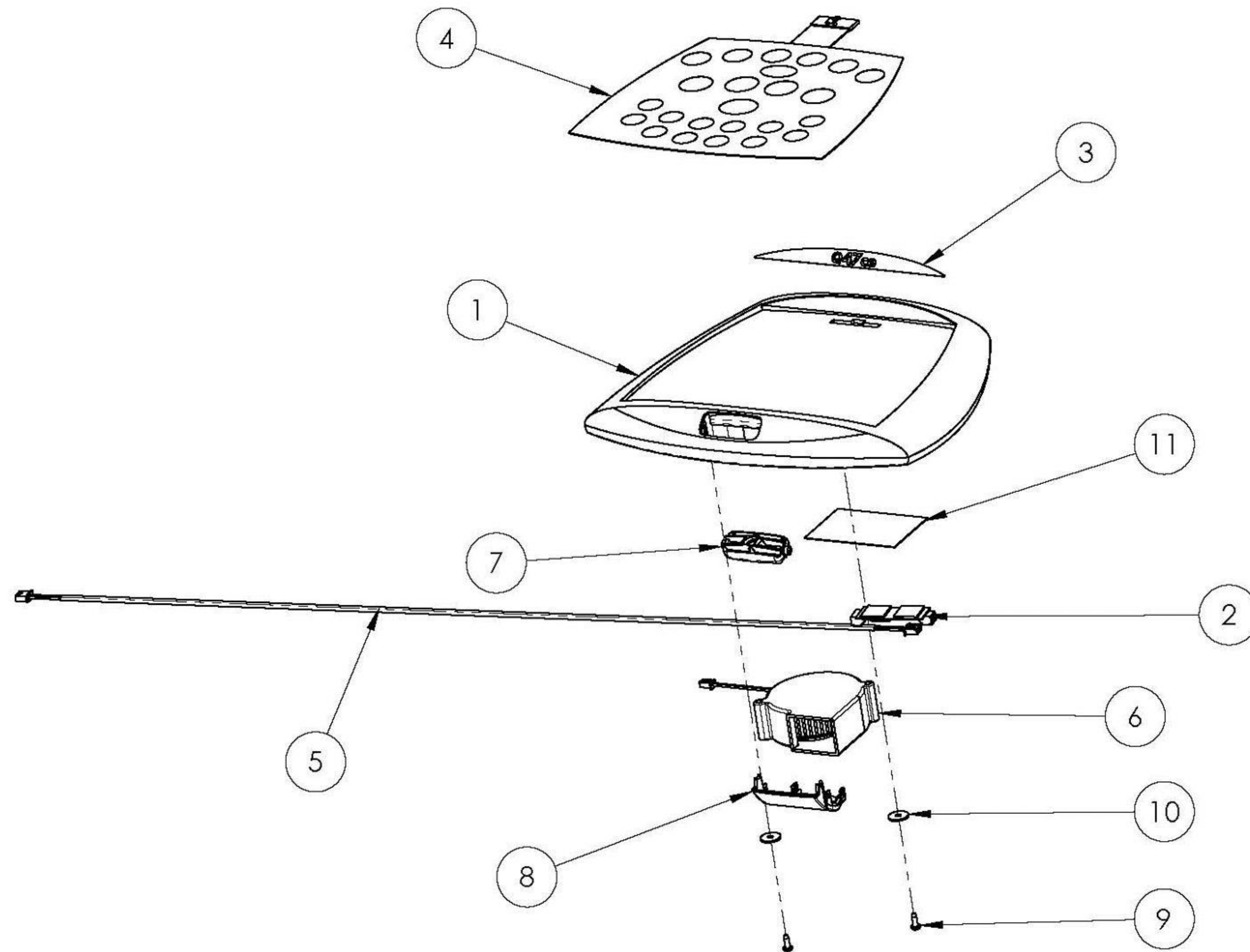


THE INFORMATION CONTAINED IN THIS DRAWING IS THE SOLE PROPERTY OF OCTANE FITNESS. ANY REPRODUCTION IN PART OR WHOLE WITHOUT THE WRITTEN PERMISSION OF OCTANE FITNESS IS PROHIBITED.

REV	DESCRIPTION	ECO #	DATE	ENG
A	RELEASE FOR PRODUCTION	001-00-014776	7/9/2008	PRS
B	ADDED GERMAN, FRENCH, SPANISH, DUTCH	001-00-014842	2/4/2009	BHG



ITEM NO.	PART NUMBER	DESCRIPTION	Default/QTY.
1	101882-001	COVER, FAN KEYPAD	1
2	102869-001	CIRCUIT BOARD ASSEMBLY, POLAR CONTACT HR	1
3	102000-001	LABEL, MODEL Q47CE	1
4	103024-001	KEYPAD, DELUXE Q47, 2008	1
5	102913-001	CABLE ASSEMBLY, HR-CONSOLE, POLAR	1
6	102001-001	FAN, 75MM X 30MM 24V	1
7	101884-001	VENT, AIR DEFLECTOR	1
8	101883-001	COVER, DUCT, FAN KEYPAD	1
9	100913-001	SCREW, M3.5 X 1.3 X 10 TYPE B, TYPE 1 CROSS RECESS PAN HEAD, ST, BZ	2
10	102002-001	WASHER, 4 X 15 X 1.2, STEEL, BZ	2
11	102335-001	LABEL, Q47 CONSOLE CONNECTIONS	1

NOTES:  
 1. OCTANE FITNESS ENGINEERING APPROVAL ON FIRST SAMPLES AND VENDOR INSPECTION REPORT REQUIRED PRIOR TO PRODUCTION FROM NEW OR REVISED TOOLING.

UNLESS OTHERWISE SPECIFIED DIMENSIONS ARE IN MILLIMETERS <b>TOLERANCES ARE:</b> DECIMALS ANGLES .XX ±0.2 ±0.5° .XXX ±0.1		CAD GENERATED DRAWING, DO NOT MANUALLY UPDATE		<b>OCTANE FITNESS</b> <i>Fuel Your Life</i>	
APPROVALS		DATE		PART DESCRIPTION	
DRAWN <b>NRL</b>		3/08/2007		ASSEMBLY, KEYPAD, Q47CE, 2008	
CHECKED ---		XX-XX-XX		SIZE B	
RESP ENG ---		XX-XX-XX		DWG. NO. <b>103028-001</b>	
MATERIAL <b>SEE NOTES</b>		MFG ENG ---		REV. <b>B</b>	
FINISH <b>SEE NOTES</b>		QUAL ENG ---		SCALE 1:5	
DO NOT SCALE DRAWING		XX-XX-XX		CAD FILE SHEET 1 OF 5	