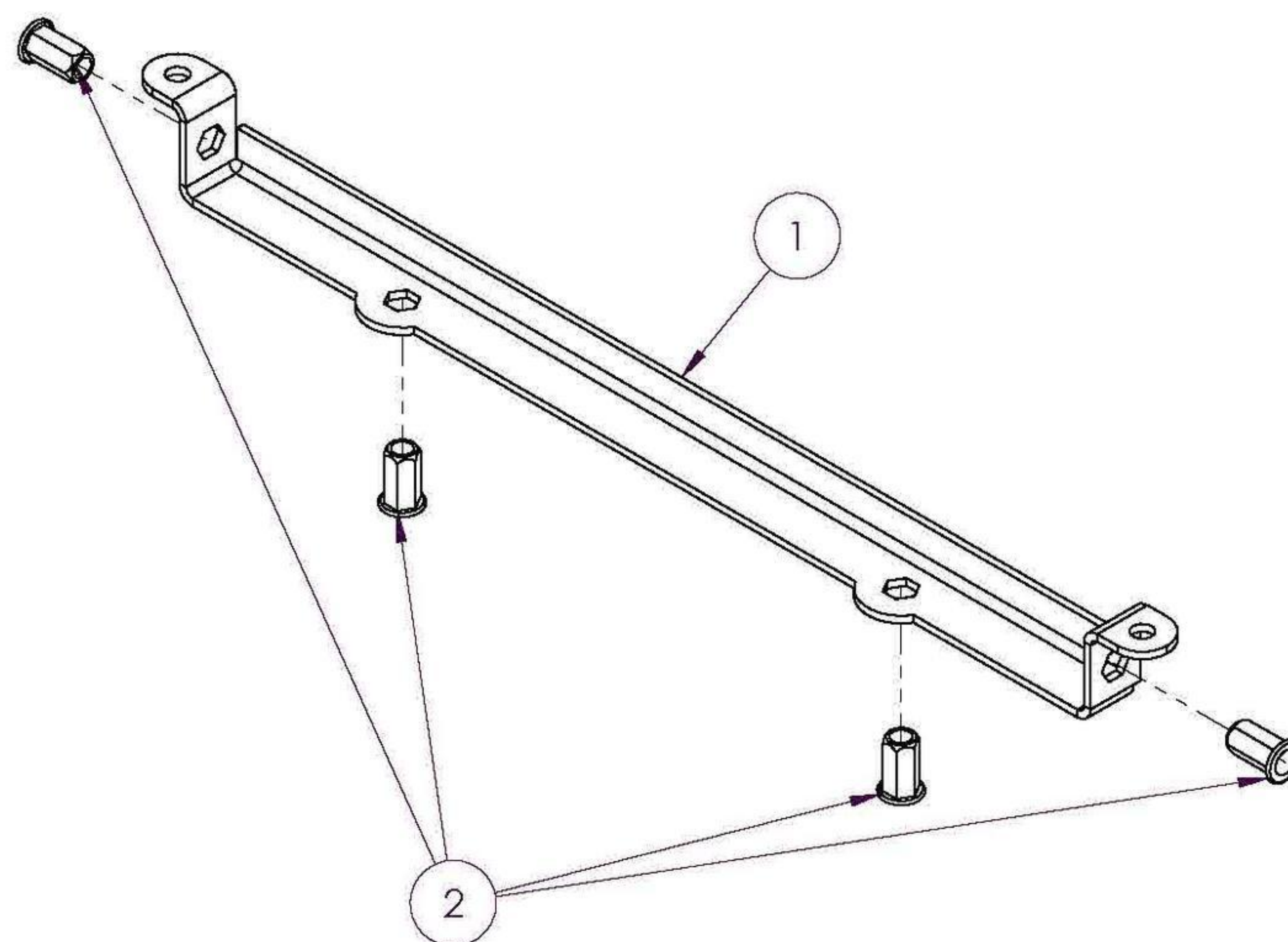
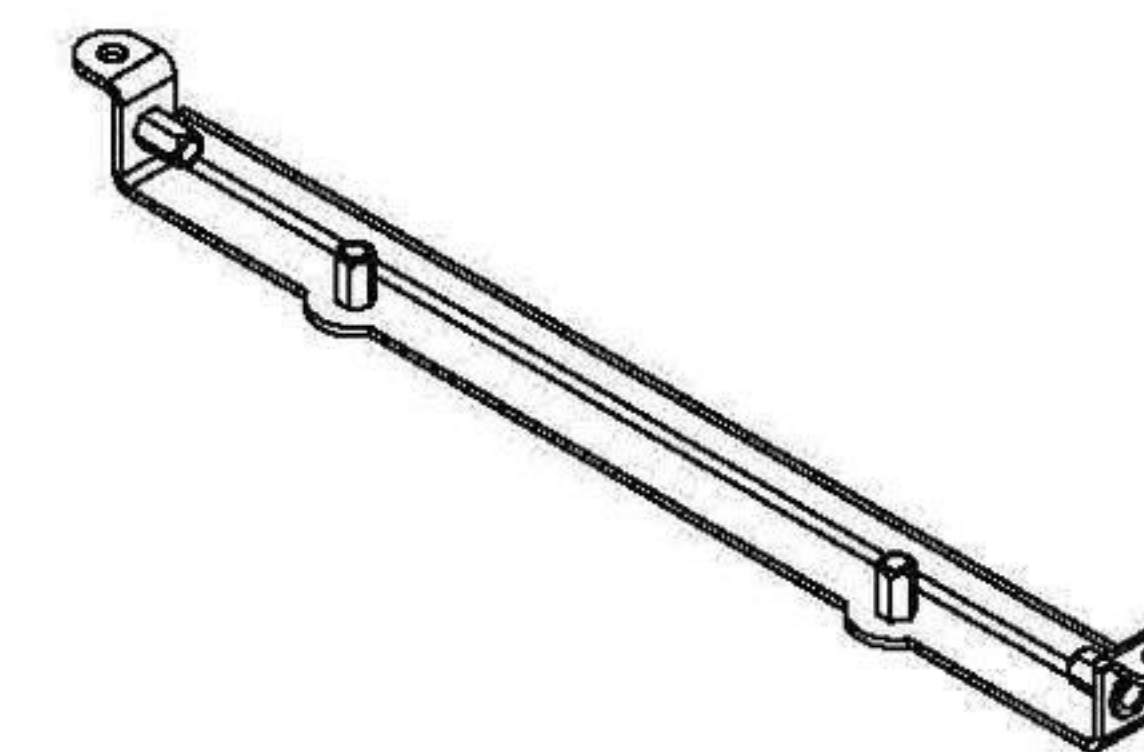


THE INFORMATION CONTAINED IN THIS DRAWING IS THE SOLE PROPERTY OF OCTANE FITNESS. ANY REPRODUCTION IN PART OR WHOLE WITHOUT THE WRITTEN PERMISSION OF OCTANE FITNESS IS PROHIBITED.

REV	DESCRIPTION	ECN #	DATE	ENG
A	PRODUCTION RELEASE	001-00-015596	4/29/2015	MRN



INSTALL ITEM2 WITH AVK INDUSTRIAL PRODUCTS PNEUMATIC TOOL AND APPROPRIATE INSTALLATION TIP.



NOTES:

- OCTANE FITNESS ENGINEERING APPROVAL ON FIRST SAMPLE AND VENDOR INSPECTION REPORT REQUIRED PRIOR TO PRODUCTION FROM NEW OR REVISED TOOLING.
- SUPPLIER MUST SUPPLY A DECLARATION OF COMPLIANCE WITH EUROPEAN COUNCIL DIRECTIVE 2011/65/EU, ON THE RESTRICTION OF USE OF CERTAIN HAZARDOUS SUBSTANCES (RoHS).

ITEM NO.	PART NUMBER	DESCRIPTION	QTY
1	110394-001	BRACKET, CONSOLE, FRONT	1
2	900031-002	RIVNUT, BRASS, M5 X 0.8	4

UNLESS OTHERWISE SPECIFIED DIMENSIONS ARE IN MILLIMETERS		OCTANE FITNESS <i>Fuel Your Life</i>	
TOLERANCES ARE:		PART DESCRIPTION	
DECIMALS	ANGLES	ASSEMBLY, BRACKET, CONSOLE, FRONT	
.X ±0.6	±0.5°		
.XX ±0.20			
.XXX ±0.100			
APPROVALS	DATE	SIZE	DWG. NO.
DRAWN BY	4/29/2015	B	110397-001
		SCALE 1:2	DO NOT SCALE DRAWING
		SHEET 1 OF 1	