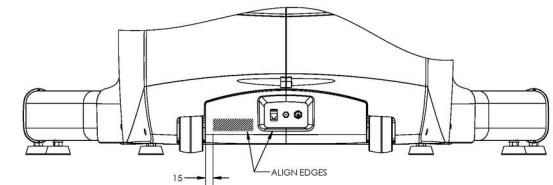
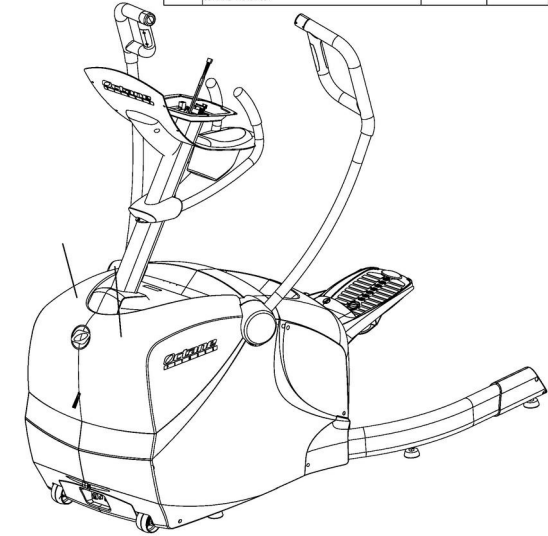
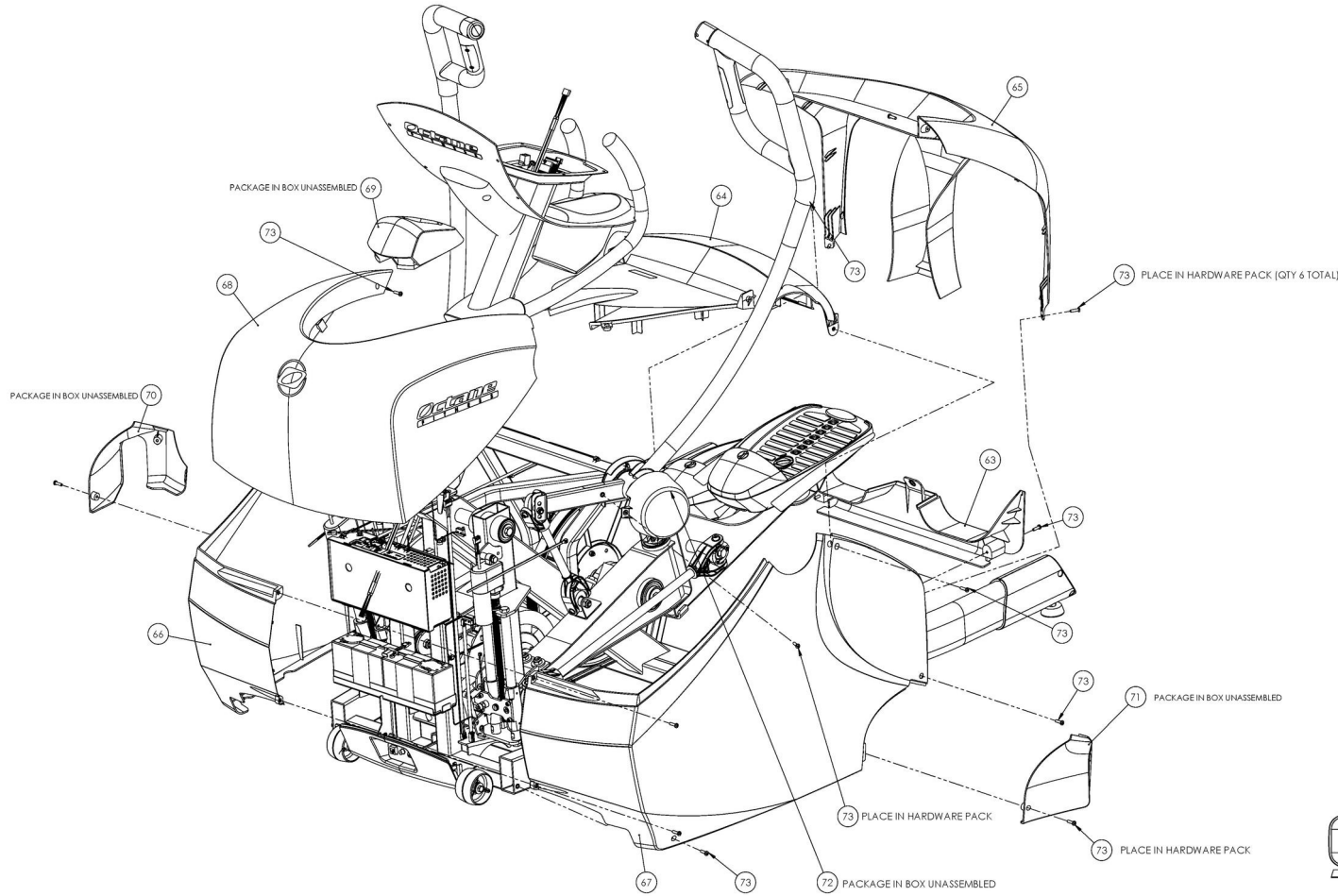


THE INFORMATION CONTAINED IN THIS DRAWING IS THE SOLE PROPERTY OF OCTANE FITNESS. ANY REPRODUCTION IN PART OR WHOLE WITHOUT THE WRITTEN PERMISSION OF OCTANE FITNESS IS PROHIBITED.

REV	DESCRIPTION	ECH #	DATE	ENG
C	ADDED NOTE TO PLACE SCREWS FOR 106635-001 IN HARDWARE PACK. DELETED VIEW.	001-00-015281	4/12/2012	BHG
D	SH 2: ADDED PICTURE TO SHOW PACKAGING FOR MULTIAKX APAIN REL. SH 3: ADDED PICTURE TO SHOW MOTOR CABLE ROUTING.	001-00-015304	4/4/2012	BHG
E	SH 3: REPLACED ITEM 48 WITH THE CAP VERSION. REPLACED ITEM 49 RUBBER FOOT PAD 102626-001 WITH 105277-001. SH 4: ADDED GREASE SPECIFICATION.	001-00-015314	7/20/2012	DCB
F	SH 2: ITEM 24 WAS 106550-001; ITEM 25 WAS 106519-001.	001-00-015333	8/14/2012	DCB
G	SH 3: FOOT PEDAL ASSEMBLY 107788-001 REPLACED 107388-001.	001-00-015382	11/28/2012	BHG
H	SH 2: REPLACED MOVING ARMS 107109-001 AND 107109-001 E3 WITH 108348-001 AND 108350-001. SH 3: REPLACED WASHER 104814-001 WITH 108441-001. INC REAR TUBES FOR 2X BELTS 106618-001 FOR THE PEDAL CRANK SPINDLE.	001-00-015430	5/1/2013	BHG
I	SH 3: REPLACED MID PEDALS 104150-001/104153-001 WITH 106554-001/106522-001. ADDED SEE ANNOTATING NOTE.	001-00-015438	5/14/2013	BHG
J	ADDED ITEM 14 FOR 108759-001 AND LOC THE 200 WIRE ON SHEET 4.	001-00-015462	11/27/2013	TCC
K	CORRECTED BOM FROM ORDER.	001-00-015510	7/1/2015	DCB
L	SEE SHEET 2 AND 3 REPLACE 108265-001 WITH 110124-001, 108232-001 WITH 110126-001, 106164-001 WITH 110126-001, 106167-001 WITH 110126-001, 106183-001 WITH 110260-001, 106065-001 WITH 110142-001, AND 106154-001 AND 106389-001 WITH 110264-001 AND 110134-001.	001-00-015603	1/19/2016	TCC



SERIAL NUMBER LABEL LOCATION

ITEM NO.	PART NUMBER	DESCRIPTION	QTY
63	106631-001	SHROUD, REAR BASE	1
64	106822-001	ASSEMBLY, SHROUD, TOP	1
65	106821-001	ASSEMBLY, SHROUD, TRUNK	1
66	107104-001	ASSEMBLY, SIDE SHROUD, RH	1
67	107105-001	ASSEMBLY, SIDE SHROUD, LH	1
68	106627-001	ASSY, HOOD SHROUD	1
69	106634-001	BOOT, MAST	1
70	106636-001	COVER, STABILIZER ATTACHMENT, RH	1
71	106637-001	COVER, STABILIZER ATTACHMENT, LH	1
72	106635-001	COVER, ARM PIVOT	2
73	102134-001	SCREW, M5 X 0.8 X 18, PAN HEAD, TYPE 1 CROSS RECESSED, SS	25

APPLICABLE OCTANE FITNESS SPECIFICATIONS	
SPEC NO.	SPECIFICATION TITLE
OFS-001	BELT TENSION REQUIREMENTS
OFS-004	GREASE SPECIFICATIONS

NOTES:

- OCTANE FITNESS ENGINEERING APPROVAL ON FIRST SAMPLE AND VENDOR INSPECTION REPORT REQUIRED PRIOR TO PRODUCTION FROM NEW OR REVISED TOOLING.
- SUPPLIER MUST SUPPLY A DECLARATION OF COMPLIANCE WITH EUROPEAN COUNCIL DIRECTIVE 2002/95/EC, ON THE RESTRICTION OF USE OF CERTAIN HAZARDOUS SUBSTANCES (ROHS).

UNLESS OTHERWISE SPECIFIED, DIMENSIONS ARE IN MILLIMETERS		OCTANE FITNESS Fair Your Life	
TOLERANCES ARE:	DECIMALS	ANGLES	PART DESCRIPTION
± 0.15	± 0.15	± 0.5°	LX8000 WW BASE
± 0.30	± 0.30		
± 0.50	± 0.50		
APPROVAL:	DATE:	REV:	106500-001
5/18/2011	5/18/2011	1	
	SCALE 1:1	DO NOT SCALE DRAWING	SHEET 1 OF 3