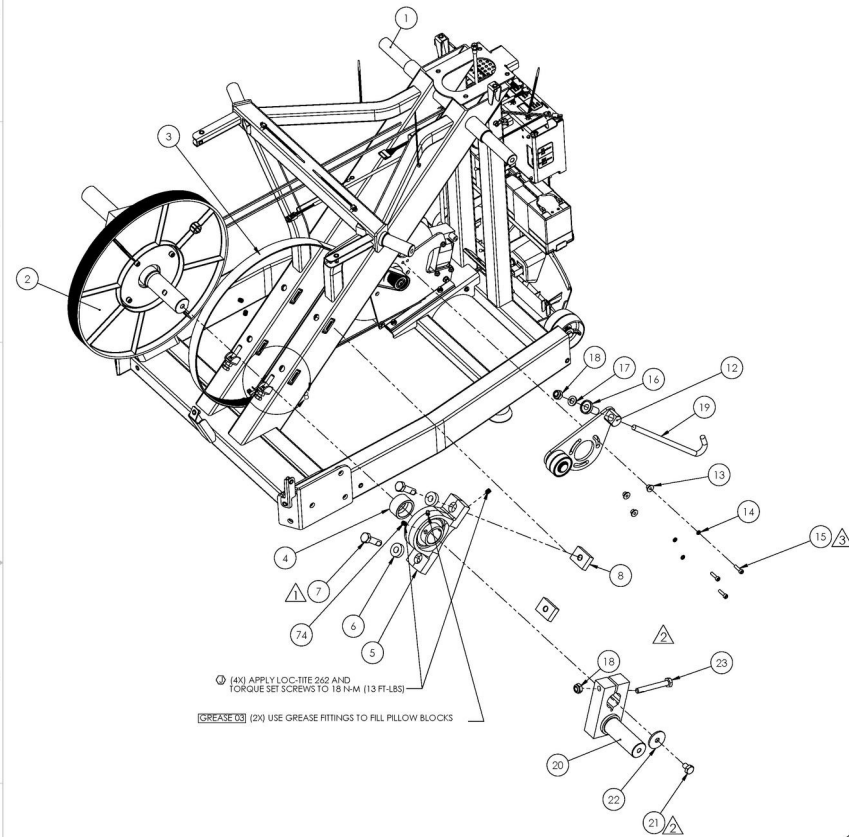
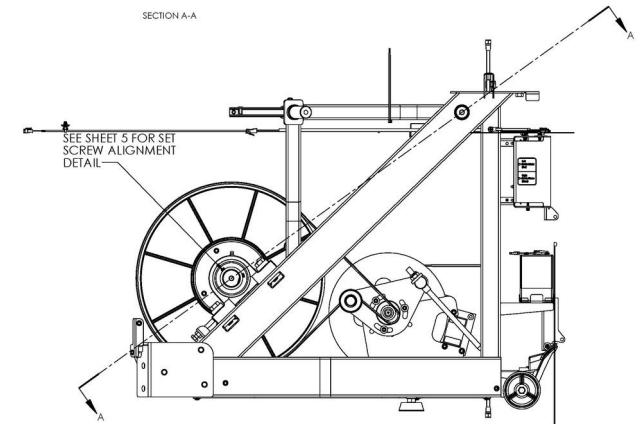
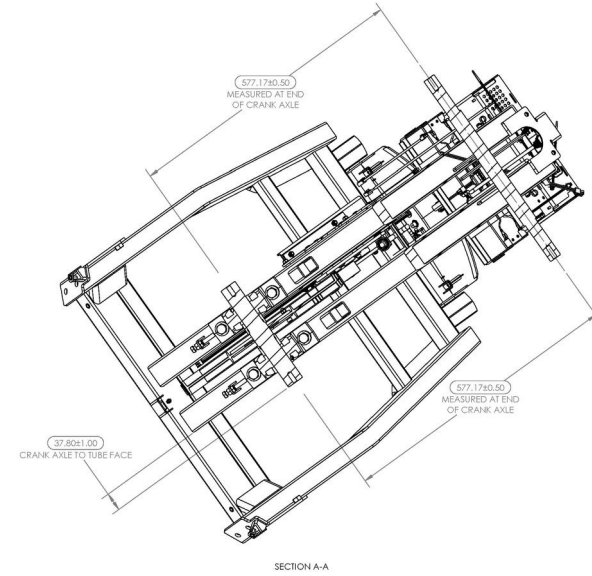


THE INFORMATION CONTAINED IN THIS DRAWING IS THE SOLE PROPERTY OF OCTANE FITNESS. ANY REPRODUCTION IN PART OR WHOLE WITHOUT THE WRITTEN PERMISSION OF OCTANE FITNESS IS PROHIBITED.

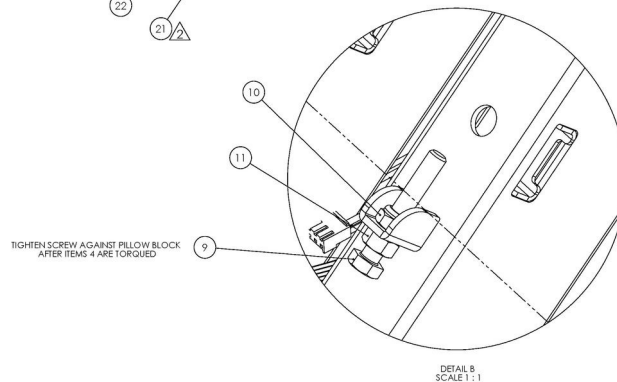
REV	DESCRIPTION	ECH #	DATE	ENG
-	See Sheet	-	-	-



CRANK AXLE MUST BE ALIGNED TO MAIN ROCKER SHAFT WITH ASSEMBLY FIXTURES. DIMENSIONS SHOWN MUST BE MET AFTER ITEMS 4 ARE TORQUED.



ITEM NO.	PART NUMBER	DESCRIPTION	QTY
1	106367-001	ASSY, LOWER FRAME COMPONENTS	1
2	107048-001	ASSY, MAIN PULLEY, 35MM AXLE	1
3	100822-001	BELT, DRIVE, 10 RB, 59L	1
4	107139-001	HUB, PILLOW BLOCK SPACER	2
5	107036-001	PILLOW BLOCK, 35MM, CHINA FS2 UCP207	2
6	106763-001	SPACER, PILLOW BLOCK	4
7	106013-001	BOLT, M12 X 1.75 X 45, HEX HEAD, CLASS 10.9	4
8	102744-001	NUT, HEX, PILLOW BLOCK	4
9	103256-001	SCREW, M8 X 1.25 X 52 HHCS, 8.8 ST, C2	2
10	103393-001	NUT, HEX, NYLON INSERT, M8 X 1.25, C2 CLASS 10	4
11	950038-008	B18.2.4.1M, HEX NUT, STYLE 1, M8 X 1.25, BLACK ZINC, STL	2
12	106559-001	ASSY, BELT TENSIONER	1
13	100457-001	SPACER, FLANGE TENSIONER	3
14	950052-006	B18.21.2M, WASHER, LOCK, STL, M5	3
15	950005-009	B18.3.1M, M5 X 0.8 X 20.0, SHCS, BLACK ZINC, STL	3
16	103533-001	INSULATOR, J-HOOK BOLT	1
17	950042-009	B18.22M, WASHER, PLAIN, STL, M10	1
18	103395-001	NUT, HEX, NYLON INSERT, M10 X 1.5, C2 CLASS 10	3
19	106802-001	BOLT, 10MM J-HOOK, LATERAL	1
20	107042-001	WLDMT, MID PEDAL CRANK ARM	2
21	106772-001	BOLT, M10 X 1.5 X 15, HEX HEAD, CLASS 10.9	2
22	107154-001	WASHER, 10 X 40 X 3, HARDENED	2
23	106442-001	BOLT, M10 X 1.5 X 40, HEX HEAD, CLASS 12.9	2
74	108973-001	M8 X 1.0 X 10mm ALLOY STEEL, KNURL, GRIP, CUP POINT SET SCREW W/LOCKING PATCH	4



DETAIL B
SCALE 1 : 1

NOTES:

▲ TORQUE FASTENER TO 102 N·M (75 FT-LBS)

▲ TORQUE FASTENER TO 75 N·M (55 FT-LBS)

▲ TORQUE FASTENER TO 6 N·M (4.4 FT-LBS)

- OCTANE FITNESS ENGINEERING APPROVAL ON FIRST SAMPLE AND VENDOR INSPECTION REPORT REQUIRED PRIOR TO PRODUCTION FROM NEW OR REVISED TOOLING.
- SUPPLIER MUST SUPPLY A DECLARATION OF COMPLIANCE WITH EUROPEAN COUNCIL DIRECTIVE 2002/95/EC, ON THE RESTRICTION OF USE OF CERTAIN HAZARDOUS SUBSTANCES (RoHS).

<small>UNLESS OTHERWISE SPECIFIED, DIMENSIONS ARE BY MILLIMETERS</small> TOLERANCES ARE: DECIMALS ANGLES 0.10 0.50 0.05 0.10 0.05 0.10		OCTANE FITNESS <small>Fair Your Life</small> PART DESCRIPTION LX8000 WW BASE
APPROVAL: DRAWN: 5/18/2011 CHECKED: 5/18/2011 DATE: 5/18/2011 SCALE: 1:1 DO NOT SCALE DRAWING: 106500-001 SHEET: 1		