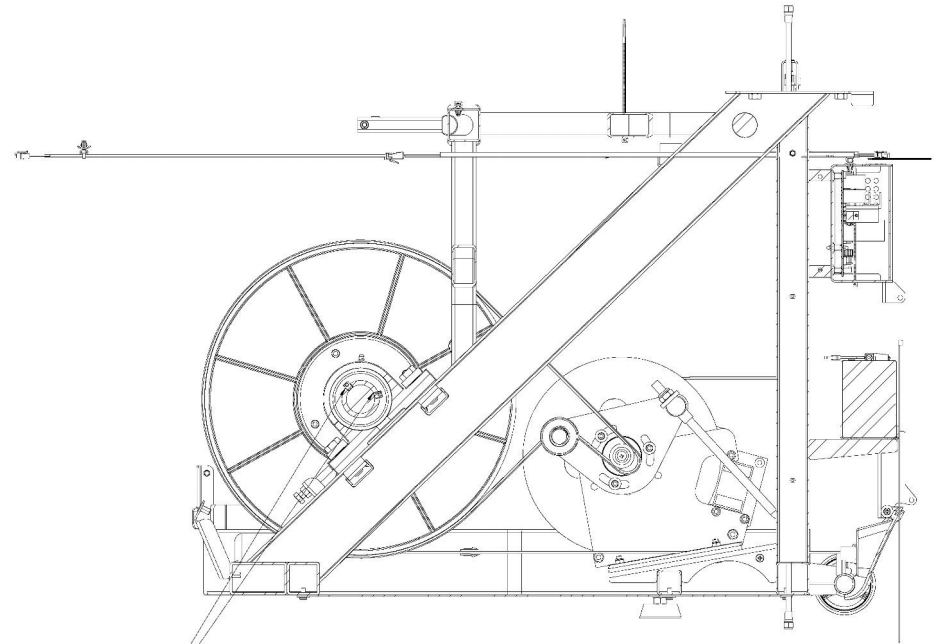


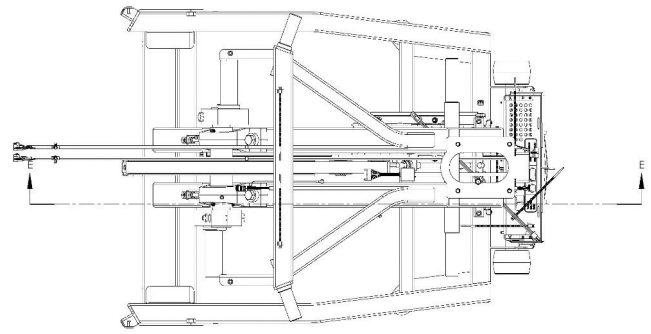
8
 THE INFORMATION CONTAINED IN THIS DRAWING IS THE SOLE PROPERTY OF OCTANE FITNESS. ANY REPRODUCTION IN PART OR WHOLE WITHOUT THE WRITTEN PERMISSION OF OCTANE FITNESS IS PROHIBITED.

REV	DESCRIPTION	ECN #	DATE	ENG
-	See Sheet 1	-	-	-



ALIGN SET SCREWS ON BOTH PILLOW BLOCK BEARINGS WITH FLATS ON DRIVE AXLE

SECTION E-E
 SCALE 1:3



- NOTES:
1. MATERIAL:
 2. FINISH:
 3. REMOVE ALL BURRS AND SHARP EDGES.
 4. OCTANE FITNESS ENGINEERING'S APPROVAL ON FIRST SAMPLE AND VENDOR INSPECTION REPORT REQUIRED PRIOR TO PRODUCTION FROM NEW OR REVISED TOOLING.
 5. CAD GENERATED MODEL. ANY DIMENSIONS NOT ON THIS PRINT SHOULD BE EXTRACTED FROM THE CAD MODEL.
 6. SUPPLIER MUST SUPPLY A DECLARATION OF COMPLIANCE WITH EUROPEAN COUNCIL DIRECTIVE 2011/65/EU, ON THE RESTRICTION OF USE OF CERTAIN HAZARDOUS SUBSTANCES (ROHS).

OCTANE FITNESS
Put Your Life

DATE: 05/20/2015 11:17 AM
 DRAWN BY: JACOB
 TOLERANCES ARE:
 DECIMALS ANGLES
 .015 (1X) .005 (2X)
 .002 (3X) .001 (4X)

PART DESCRIPTION: LX8000 VWV BASE

APPROVED BY: [Signature] PART: 106500-001 REV: 1
 DATE: 5/20/2015 11:17 AM