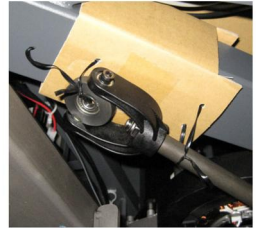
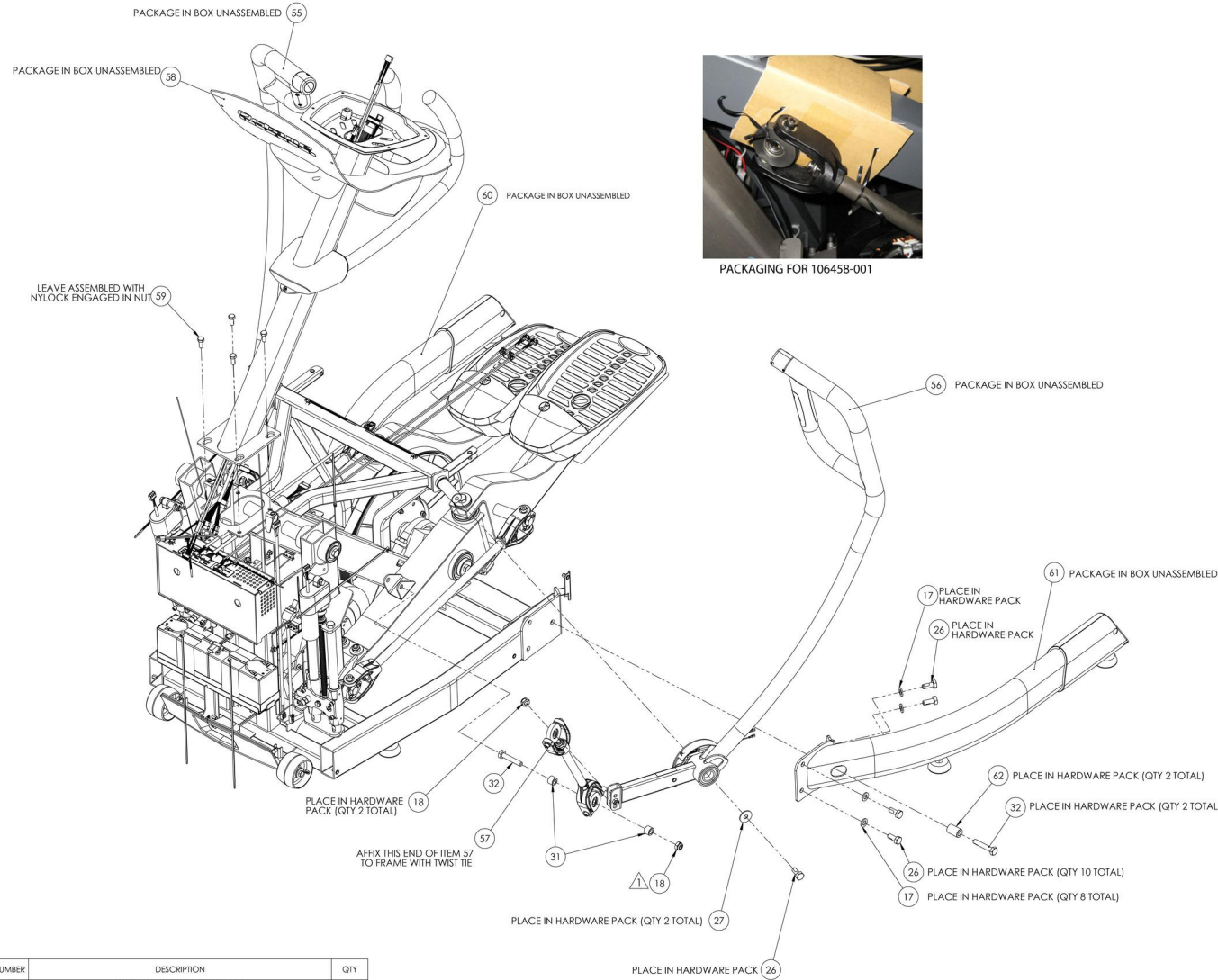
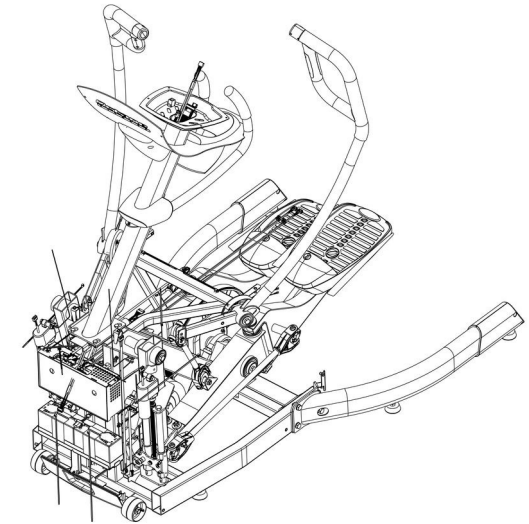


THE INFORMATION CONTAINED IN THIS DRAWING IS THE SOLE PROPERTY OF OCTANE FITNESS. ANY REPRODUCTION IN PART OR WHOLE WITHOUT THE WRITTEN PERMISSION OF OCTANE FITNESS IS PROHIBITED.

REV	DESCRIPTION	ECN #	DATE	ENG
-	See Sheet 1	-	-	-



PACKAGING FOR 106458-001



ITEM NO.	PART NUMBER	DESCRIPTION	QTY
17	95042-009	B18.22M. WASHER, PLAIN, STL, M10	8
18	103395-001	NUT, HEX, NYLON INSERT, M10 X 1.5, CZ CLASS 10	4
26	106618-001	BOLT, M10 X 1.5 X 25, HEX HEAD, CLASS 10.9	10
27	101720-001	WASHER, 10 X 30 X 2, STEEL, CZ	2
31	107031-001	SPACER, PEDAL TO MOVING ARM	4
32	106773-001	BOLT, M10 X 1.5 X 55, HEX HEAD, CLASS 10.9	4
55	108304-001	ASSY. MOVING ARM, ROUTING, RH	1
56	108305-001	ASSY. MOVING ARM, ROUTING, LH	1
57	106458-001	ASSY. MULTI-AXIS LINK	2
58	107089-001	ASSY. CONSOLE MAST	1
59	102453-001	BOLT, M8 X 1.25 X 20, HEX HEAD, GR 8.8, CZ	4
60	106596-001	ASSEMBLY, REAR STABILIZER, RH	1
61	106595-001	ASSEMBLY, REAR STABILIZER, LH	1
62	106770-001	SPACER, STABILIZER BOLT	2

NOTES:

- TORQUE FASTENER TO 45 N-M (33 FT-LBS)
- OCTANE FITNESS ENGINEERING APPROVAL ON FIRST SAMPLE AND VENDOR INSPECTION REPORT REQUIRED PRIOR TO PRODUCTION FROM NEW OR REVISED TOOLING.
- SUPPLIER MUST SUPPLY A DECLARATION OF COMPLIANCE WITH EUROPEAN COUNCIL DIRECTIVE 2002/95/EC, ON THE RESTRICTION OF USE OF CERTAIN HAZARDOUS SUBSTANCES (ROHS).

UNLESS OTHERWISE SPECIFIED DIMENSIONS ARE IN MILLIMETERS

OCTANE FITNESS
Fuel Your Life

TOLERANCES ARE: DECIMALS ANGLES
±.015 ±.015 ±.015 ±.015
±.015 ±.015 ±.015 ±.015

PART DESCRIPTION: LX8000 WWV BASE

REV: 001 DATE: 8/18/2011 SCALE: 1:1 DO NOT SCALE DRAWING SHEET 1 OF 1

106500-001