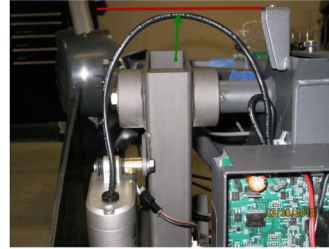
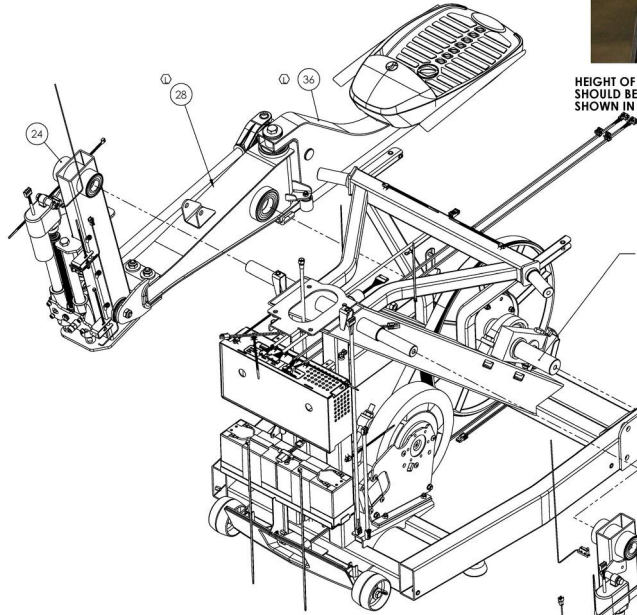


THE INFORMATION CONTAINED IN THIS DRAWING IS THE SOLE PROPERTY OF OCTANE FITNESS. ANY REPRODUCTION IN PART OR WHOLE WITHOUT THE WRITTEN PERMISSION OF OCTANE FITNESS IS PROHIBITED.

REV	DESCRIPTION	ECH #	DATE	ENG
-	See Sheet	-	-	-

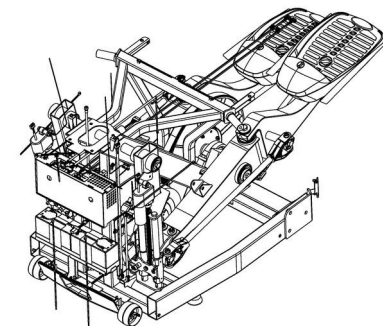
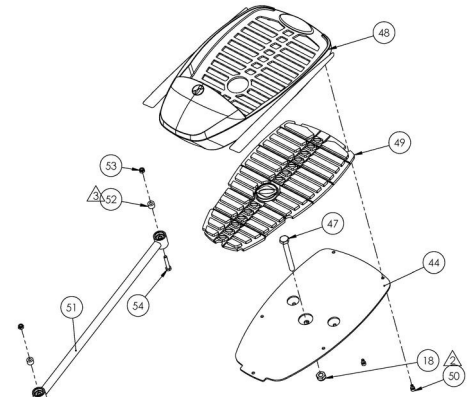


HEIGHT OF CABLE FROM ACTUATOR MOTOR SHOULD BE EVEN WITH BRACKET ON FRAME AS SHOWN IN ABOVE PICTURE



COAT THESE SURFACES WITH SKY ANTI-FRETTING AGENT (UGAR-93) PRIOR TO ASSEMBLY.

TORQUE FASTENERS TO 75 N-M AFTER ASSEMBLING ITEM 33



ITEM NO.	PART NUMBER	DESCRIPTION	QTY
18	103395-001	NUT, HEX, NYLON INSERT, M10 X 1.5, CZ CLASS 10	4
24	107580-001	ASSY, ADJUSTABLE ROCKER, RH	1
25	107579-001	ASSY, ADJUSTABLE ROCKER, LH	1
26	106618-001	BOLT, M10 X 1.5 X 25, HEX HEAD, CLASS 10.9	4
27	101720-001	WASHER, 10 X 30 X 2, STEEL, CZ	2
28	110124-001	ASSY, MID PEDAL - RH	1
29	110123-001	ASSY, MID PEDAL - LH	1
30	106441-001	RETAINER, MID PEDAL CRANK SPINDLE	2
33	106591-001	BOLT, M10 X 1.5 X 85, HEX HEAD, CLASS 10.9	2
34	106622-001	SHAFT, PEDAL ROCKER PIVOT	2
35	106623-001	SPACER, PEDAL ROCKER CAP	4
36	110126-001	ASSY, REAR PEDAL - RH	1
37	110125-001	ASSY, REAR PEDAL - LH	1
38	110268-001	CUP SPACER	4
39	110264-001	BOLT-25MM SHOULDER, M12 X 1.75 X 115, HEX HEAD, CLASS 12.9	2
40	110147-001	WASHER, PLAIN, STL, 26 X 41 X 3.1	2
41	110134-001	WLDMT, EXTENDED NUT	2
42	106575-001	ASSY, MULTIAxis BEARING LINK	2
43	106588-001	BOLT, M12 X 1.75 X 30, HEX HEAD, CLASS 10.9	4
44	106171-001	WLDMT, FOOT PLATFORM	2
45	106165-001	SHAFT, FOOT PLATFORM	2
46	105880-001	SPACER, FOOT PLATFORM	4
47	106211-001	BOLT, M10 X 1.5 X 90, HEX HEAD, CLASS 10.9	2
48	107788-001	ASSY, LATERAL, FOOT PEDAL	2
49	106277-001	INSERT, RUBBER TREAD, WIDE PEDAL	2
50	101298-001	SCREW, M5 X 0.8 X 10.0L SHCS, BLACK ZINC, 12.9 STL, SPRING WASHER	10
51	107067-001	ASSY, PARALLEL LINK	2
52	107034-001	SPACER, PARALLEL LINK	4
53	103584-001	NUT, HEX, NYLON INSERT, M6 X 1, CZ CLASS 10	4
54	107035-001	BOLT, M6 X 1.0 X 35, HEX HEAD, CLASS 10.9	4

NOTES:

- ▲ TORQUE FASTENER TO 102 N-M (75 FT-LBS)
- ▲ TORQUE FASTENER TO 45 N-M (33 FT-LBS)
- ▲ TORQUE FASTENER TO 10 N-M (7.3 FT-LBS)
- ▲ TORQUE FASTENER TO 6 N-M (4.4 FT-LBS)
- ▲ TORQUE FASTENER TO 75 N-M (55 FT-LBS)

6. OCTANE FITNESS ENGINEERING APPROVAL ON FIRST SAMPLE AND VENDOR INSPECTION REPORT REQUIRED PRIOR TO PRODUCTION FROM NEW OR REVISED TOOLING.
7. SUPPLIER MUST SUPPLY A DECLARATION OF COMPLIANCE WITH EUROPEAN COUNCIL DIRECTIVE 2002/95/EC, ON THE RESTRICTION OF USE OF CERTAIN HAZARDOUS SUBSTANCES (ROHS).

UNLESS OTHERWISE SPECIFIED DIMENSIONS ARE IN MILLIMETERS (INCHES)

**OCTANE FITNESS**  
Fuel Your Life

DECIMALS ANGLES PART DESCRIPTION  
XX.XX XX.00 LX8000 WW BASE  
MAXX XX.00

APPROVED: DATE: DWG NO: 106500-001 REC: L  
DRAWN BY: SCHEDULE: SHEETS: 1 DO NOT SCALE DRAWING: SHEETS: 1