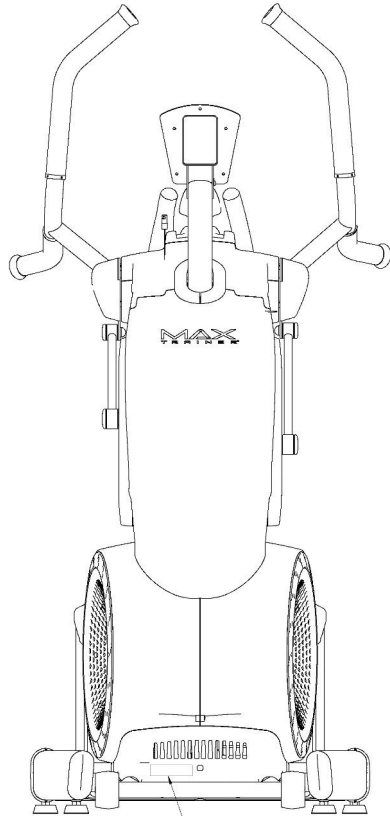
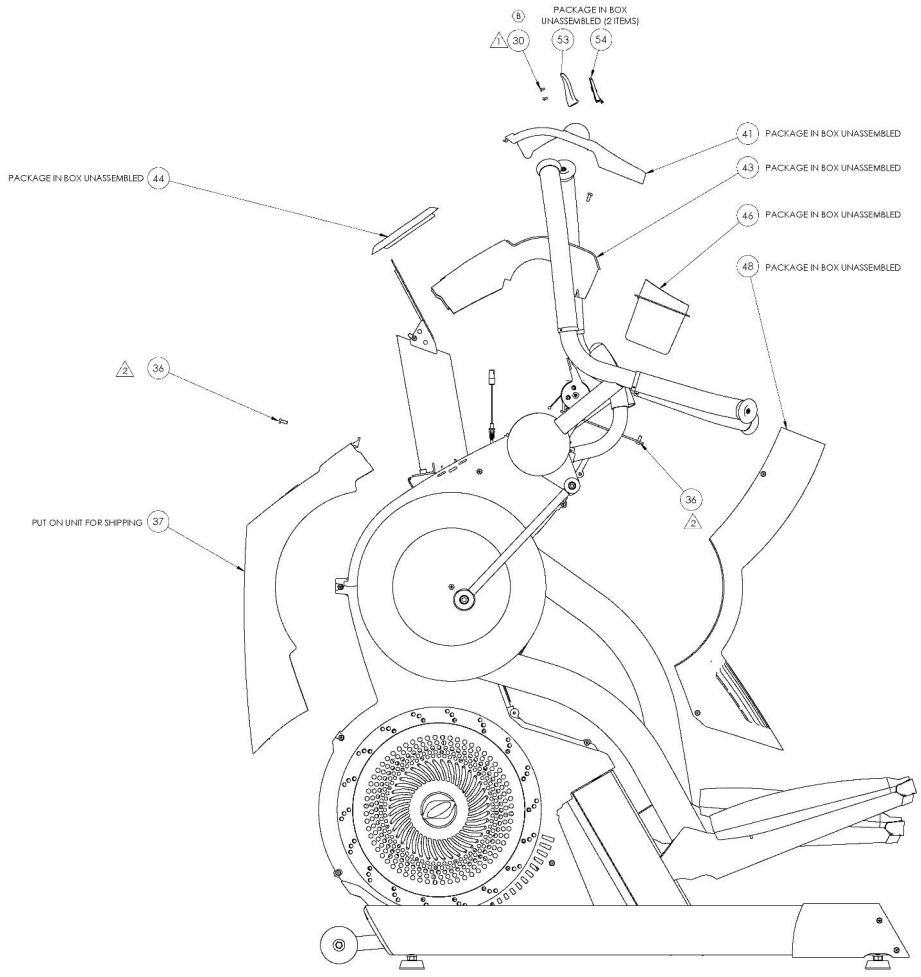


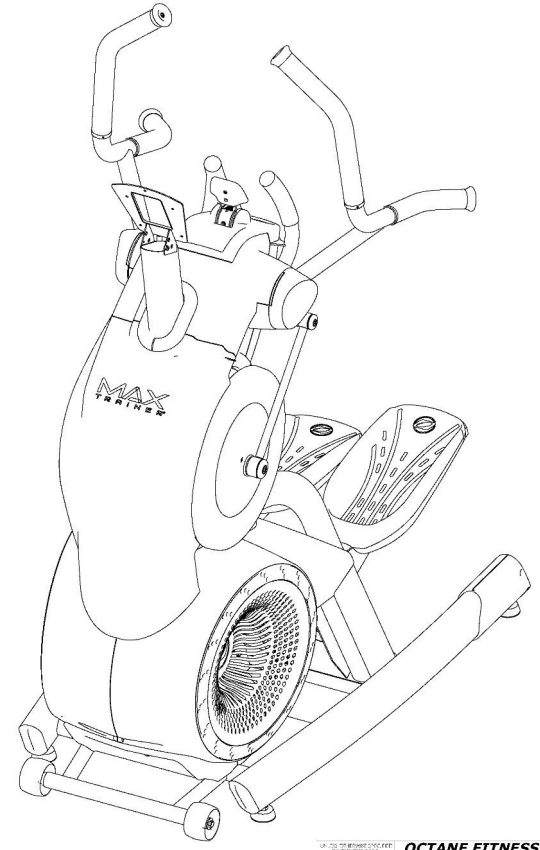
THE INFORMATION CONTAINED IN THIS DRAWING IS THE SOLE PROPERTY OF OCTANE FITNESS. ANY REPRODUCTION IN PART OR WHOLE WITHOUT THE WRITTEN PERMISSION OF OCTANE FITNESS IS PROHIBITED.



SERIAL NUMBER DECAL LOCATION



| REV | DESCRIPTION | ECO | DATE | ENG |
|-----|--|--------|-----------|-----|
| A | SHT 1: ADDED SERIAL NUMBER LOCATION SHT 2: ADDED FILM TAPE & ASSOCIATED TORQUE NOTE, ADDED NOTE, SUBSTITUTION OF MOST FITS PARTS AND ASSEMBLIES WERE CHANGED TO INCLUDE A "RAW" PART AND A "FINISH" COLOR PART (SEE ITEM 40 FOR EXAMPLE). | 002720 | 4/23/2016 | MTV |
| B | SHT 1: ADDED OFS-004 OCTANE SPECIFICATION. SHT 2: ADDED GREASE NOTE FOR HANDBAR INSTALLATION. SHT 3: CHANGED 2mm TORQUE TO 2.5Nm; ADDED BOLT ASSEMBLY & TORQUE ORDER FOR CRANK. SHT 4: ADDED TORQUE NOTE. SHT 5: ADDED FACE ALUMINUM BRACKET FOR THE VIEW. ALL BOMs NEEDED REEVALUATES TO REFLECT VIEW. | 002887 | 6/18/2016 | MTV |



| ITEM NO. | PART NUMBER | DESCRIPTION | QTY |
|----------|-------------|--|-----|
| 30 | 113337-001 | SCREW, M3 X 0.5 X 6.0L, TYPE I PAN-HEAD, SS | 2 |
| 36 | 106817-001 | SCREW, M5 X 0.8 X 1.4, PAN-HEAD, TYPE I CROSS RECESSED, SS | 28 |
| 37 | 112540-001 | ASSEMBLY, SHROUD, FRONT | 1 |
| 41 | 113405-001 | SHROUD, TOP USER TRAY, NLS PROCESS BLACK | 1 |
| 43 | 113407-001 | SHROUD, TOP, NLS PROCESS BLACK | 1 |
| 44 | 113408-001 | BOOT, MAST BASE, NLS PROCESS BLACK | 1 |
| 46 | 113410-001 | CUP HOLDER, NLS PROCESS BLACK | 1 |
| 48 | 112664-001 | ASSEMBLY, SHROUD, VENTED BACK, WITH DIVERTER | 1 |
| 53 | 112678-001 | LEVER, RESISTANCE ADJUST, MTX | 1 |
| 54 | 113134-001 | ASSY, RESISTANCE LEVER INSERT WITH LABEL, MTX | 1 |

| APPLICABLE OCTANE FITNESS SPECIFICATIONS | |
|--|---|
| SPEC. NO. | SPECIFICATION TITLE |
| OFS-001 | BELT TENSION REQUIREMENTS |
| OFS-004 | GREASE SPECIFICATIONS |
| OFS-006 | APPLICATION OF LOCITE FOR BEARING RETENTION |

NOTES:
 ⚠ TORQUE FASTENER TO 11 N-m (9.6 in-lbs)
 ⚠ TORQUE FASTENER TO 5 N-m (44 in-lbs)

- NOTES:
- OCTANE FITNESS ENGINEERING APPROVAL ON FIRST SAMPLE AND VENDOR INSPECTION REPORT REQUIRED PRIOR TO PRODUCTION FROM NEW OR REVISED TOOLING.
 - SUPPLIER MUST SUPPLY A DECLARATION OF COMPLIANCE WITH EUROPEAN COUNCIL DIRECTIVE 2011/65/EU, ON THE RESTRICTION OF USE OF CERTAIN HAZARDOUS SUBSTANCES (ROHS)

OCTANE FITNESS
Put Your Life

TOLERANCES ARE:
 DECIMALS ANGLES
 .05 (0.0025) .0005 (0.0001)
 .0005 (0.0001) .0005 (0.0001)

APPROVED BY: PART: 111950-001
 DRAWN BY: DATE: 06/18/2016
 CHECKED BY: DATE: 06/18/2016

PART DESCRIPTION: MTX BASE