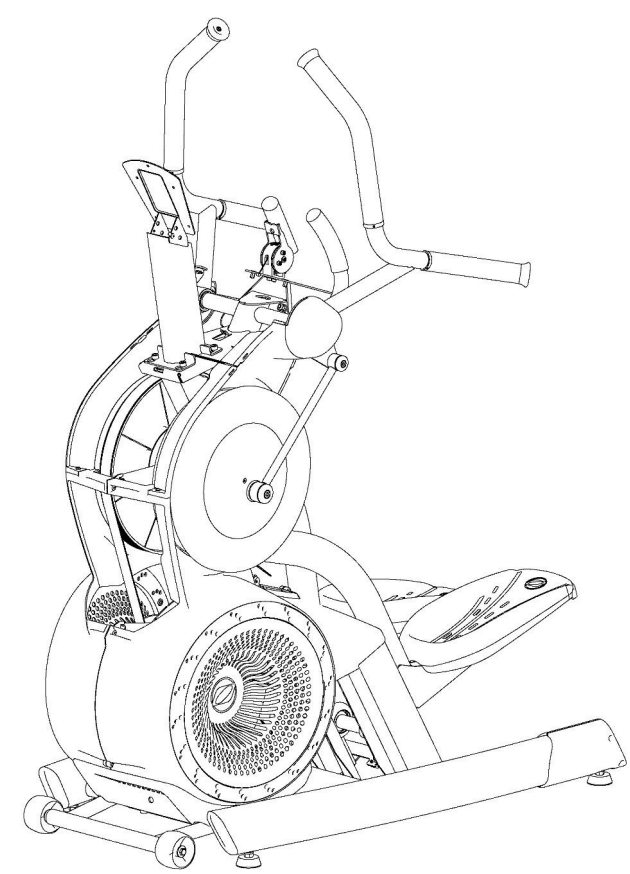
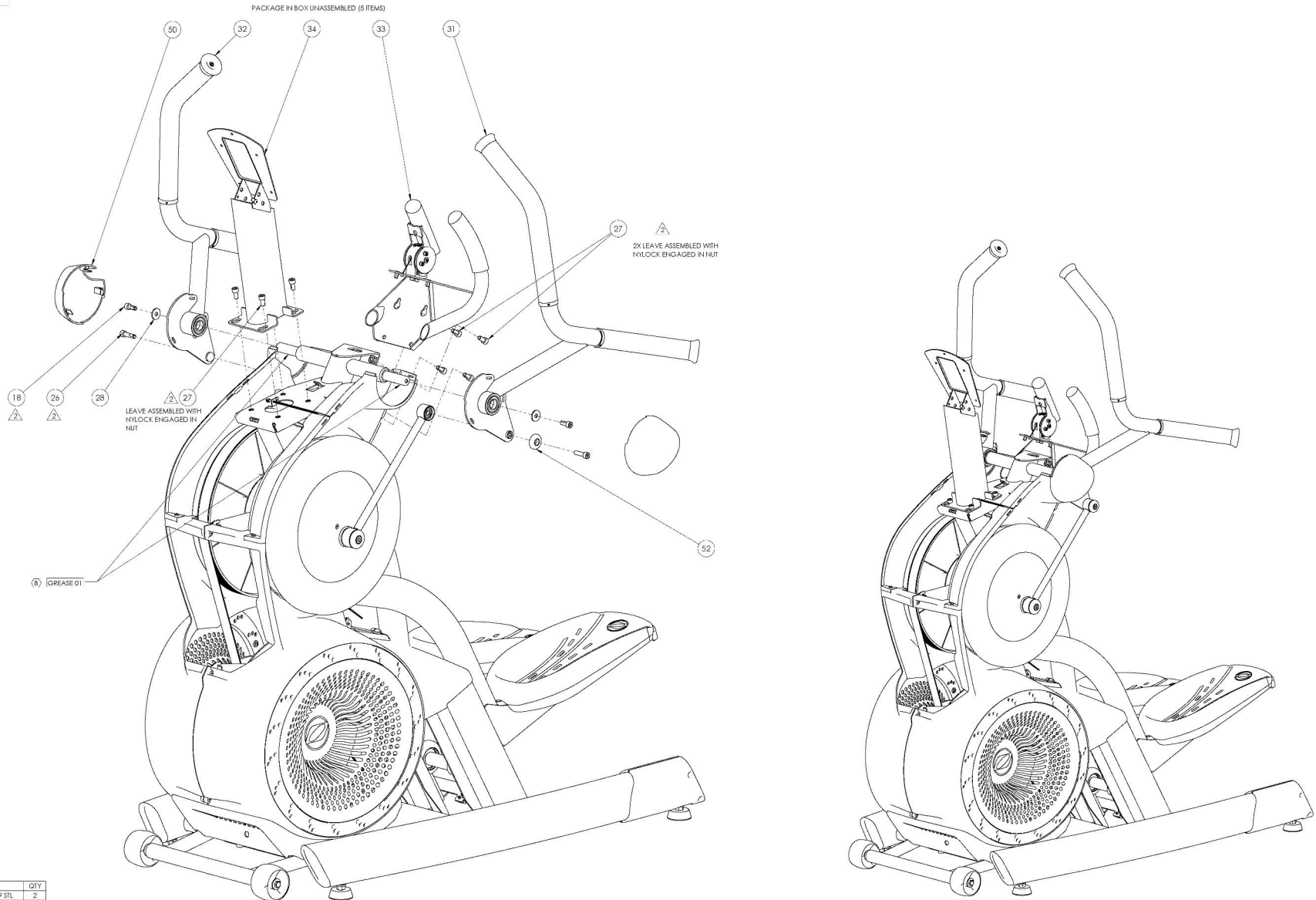


8
 THE INFORMATION CONTAINED IN THIS DRAWING IS THE SOLE PROPERTY OF OCTANE FITNESS. ANY REPRODUCTION IN PART OR WHOLE WITHOUT THE WRITTEN PERMISSION OF OCTANE FITNESS IS PROHIBITED.

REV	DESCRIPTION	ECN #	DATE	ENG
-	See Sheet1	-	-	-



ITEM NO.	PART NUMBER	DESCRIPTION	QTY
18	104697-001	SCREW, M8 X 1.25 X 20.0L SHCS, CLEAR ZINC, 12-9 STL	2
26	111085-001	SCREW, M8 X 1.25 X 30.0L SHCS, 12-9 STL, NICKEL PLATED	2
27	101862-001	SCREW, M8 X 1.25 X 14.0L SHCS, BLACK ZINC, 12-9 STL	8
28	102454-001	WASHER, 8 X 24 X 2, STEEL, C2	2
31	112186-001	ASSY, MOVING ARM, LH	1
32	112187-001	ASSY, MOVING ARM, RH	1
33	112166-001	ASSEMBLY, STATIONARY HANDLES	1
34	112470-001	ASSEMBLY, CONSOLE MAST	1
50	113414-001	SHROUD, HANDLEBAR COVER	2
52	112653-001	CAP, UPR. CONNL ROD, M8	2

- NOTES:
- TORQUE FASTENER TO 5 N-m (44 Ft-lbs)
 - TORQUE FASTENER TO 23 N-m (17 Ft-lbs)
 - TORQUE FASTENER TO 45 N-m (33 Ft-lbs)

OCTANE FITNESS
Put Your Life

TOLERANCES ARE:
 DIMENSIONS ANGLES
 DECIMALS ANGLES
 .05 (0.0025) .005 (0.0002)

PART DESCRIPTION: MTX BASE

APPROVED BY: PART: 111950-001
 DRAWN BY: DATE: 08/11/2014
 CHECKED BY: DATE: 08/11/2014
 DESIGNED BY: DATE: 08/11/2014