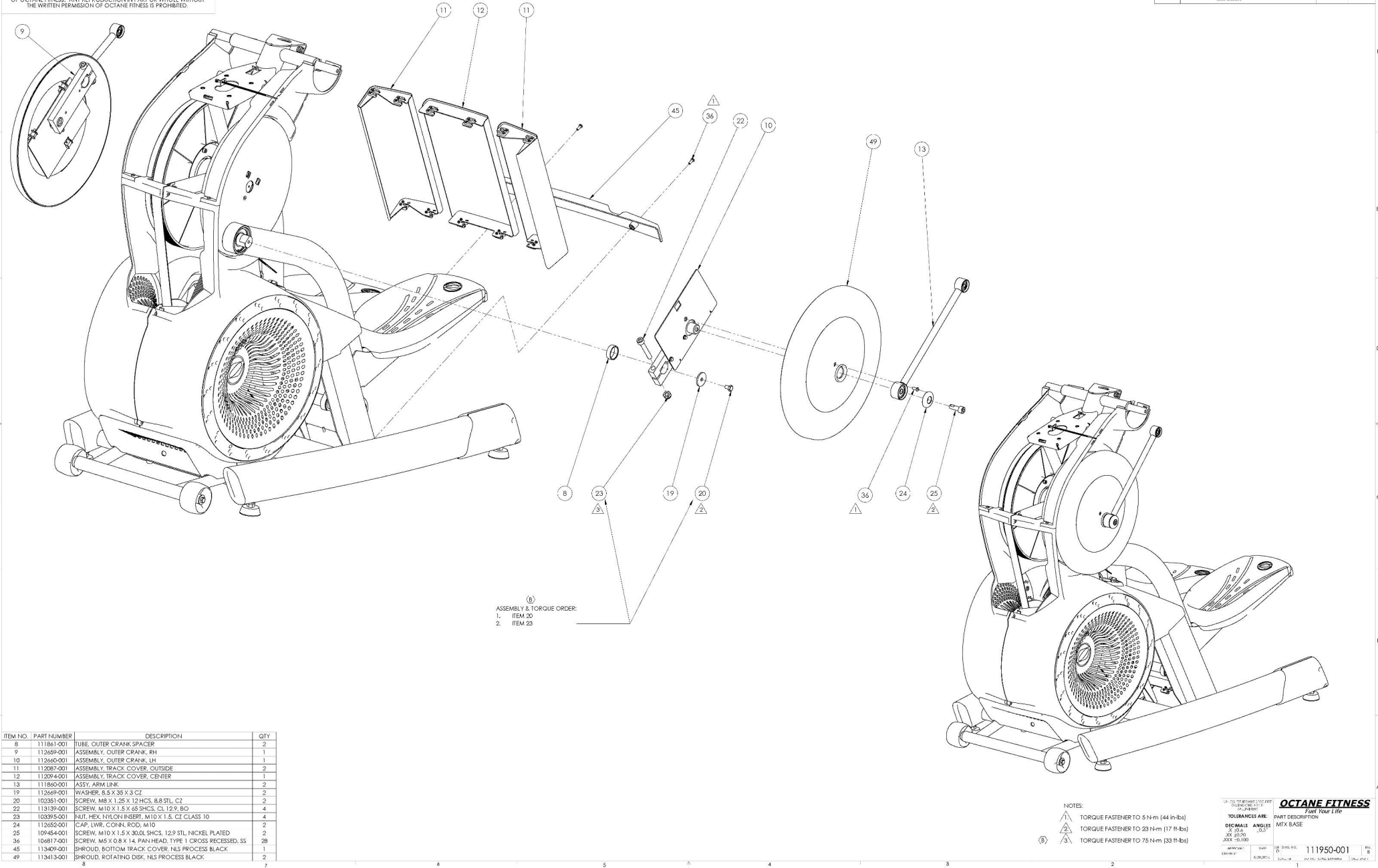


8 THE INFORMATION CONTAINED IN THIS DRAWING IS THE SOLE PROPERTY OF OCTANE FITNESS. ANY REPRODUCTION IN PART OR WHOLE WITHOUT THE WRITTEN PERMISSION OF OCTANE FITNESS IS PROHIBITED.

REV	DESCRIPTION	ECH #	DATE	ENG
-	See Sheet	-	-	-



(B)
ASSEMBLY & TORQUE ORDER:
1. ITEM 20
2. ITEM 23

ITEM NO.	PART NUMBER	DESCRIPTION	QTY
8	111861-001	TUBE, OUTER CRANK SPACER	2
9	112659-001	ASSEMBLY, OUTER CRANK, RH	1
10	112660-001	ASSEMBLY, OUTER CRANK, LH	1
11	112687-001	ASSEMBLY, TRACK COVER, OUTSIDE	2
12	112694-001	ASSEMBLY, TRACK COVER, CENTER	1
13	111860-001	ASSY, ARM LINK	2
19	112669-001	WASHER, 8.5 X 35 X 3 CZ	2
20	102351-001	SCREW, M8 X 1.25 X 12 HCS, 8.8 STL, CZ	2
22	110130-001	SCREW, M10 X 1.5 X 65 SHCS, C3, 12.9, BO	4
23	103395-001	NUT, HEX, NYLON INSERT, M10 X 1.5, CZ CLASS 10	4
24	112652-001	CAP, LWR, CONN, ROD, M10	2
25	109484-001	SCREW, M10 X 1.5 X 30.0L SHCS, 12.9 STL, NICKEL PLATED	2
36	106817-001	SCREW, M5 X 0.8 X 14, PAN HEAD, TYPE 1 CROSS RECESSED, SS	28
45	113409-001	SHROUD, BOTTOM TRACK COVER, NLS PROCESS BLACK	1
49	113413-001	SHROUD, ROTATING DISK, NLS PROCESS BLACK	2

NOTES:

- (A) TORQUE FASTENER TO 5 N-m (44 in-lbs)
- (B) TORQUE FASTENER TO 23 N-m (17 ft-lbs)
- (C) TORQUE FASTENER TO 75 N-m (53 ft-lbs)

OCTANE FITNESS
Fit Your Life

TOLERANCES ARE:
DIMENALS ANGLES
DECIMALS ANGLES
25 (0.25) (0.5)
30 (0.5) (1.0)

PART DESCRIPTION: MTX BASE

APPROVED: [Signature] DATE: 11/19/2011
DRAWN BY: [Signature] CHECKED BY: [Signature]