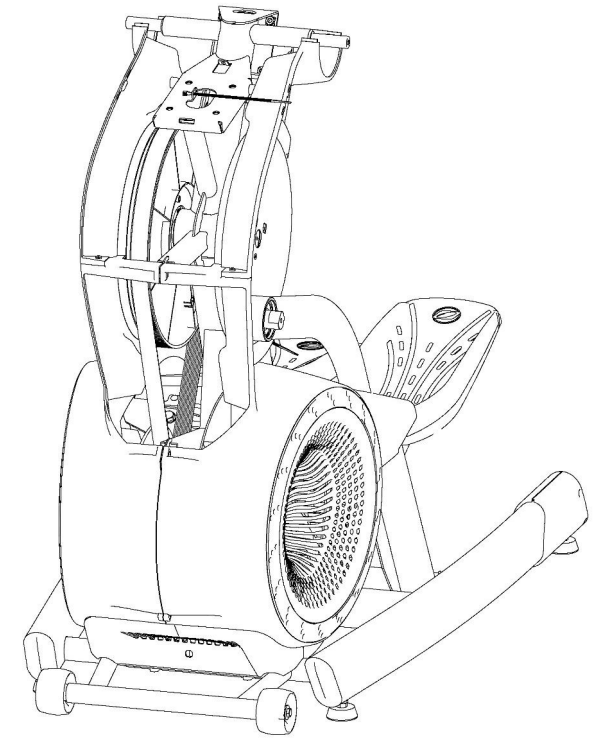
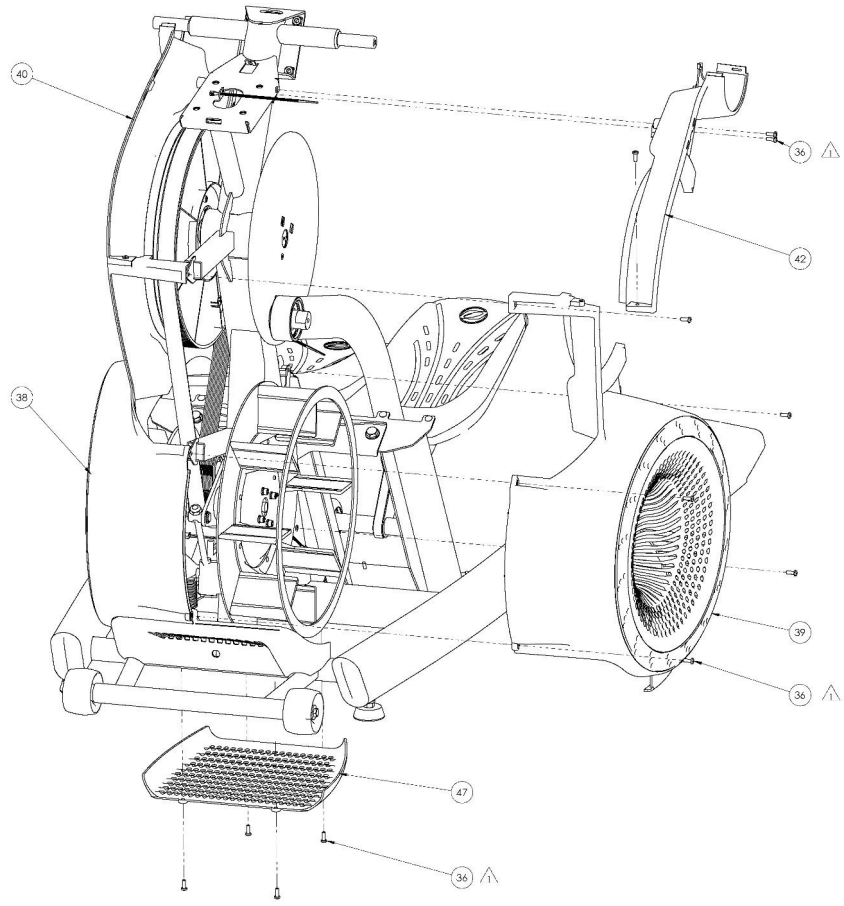


THE INFORMATION CONTAINED IN THIS DRAWING IS THE SOLE PROPERTY OF OCTANE FITNESS. ANY REPRODUCTION IN PART OR WHOLE WITHOUT THE WRITTEN PERMISSION OF OCTANE FITNESS IS PROHIBITED.

REV	DESCRIPTION	ECH #	DATE	ENG
-	See Sheet	-	-	-



ITEM NO.	PART NUMBER	DESCRIPTION	QTY
36	106817-001	SCREW, M5 X 0.8 X 14, PAN HEAD, TYPE I CROSS RECESSED, SS	28
38	112992-001	ASSEMBLY, SHROUD, LOWER RIGHT	1
39	112993-001	ASSEMBLY, SHROUD LOWER LEFT	1
40	113404-001	SHROUD, USERS' UPPER RIGHT SIDE, NLS PROCESS BLACK	1
42	113406-001	SHROUD, USERS' UPPER LEFT SIDE, NLS PROCESS BLACK	1
47	113431-001	SHROUD, FLOOT PAN, NLS PROCESS BLACK	1

NOTES:
 TORQUE FASTENER TO 5 N-m (44 in-lbs)

OCTANE FITNESS
Fit Your Life

100% POLYURETHANE FOAM
 100% POLYURETHANE FOAM
 100% POLYURETHANE FOAM

TOLERANCES ARE:
 DECIMALS ANGLES
 .05 (0.05) (0.5)
 .002 (0.002) (0.002)

APPROVED BY: PART: 111950-001
 DRAWN BY: DATE: 02/15/2016
 CHECKED BY: DATE: 02/15/2016
 PART DESCRIPTION: MTX BASE