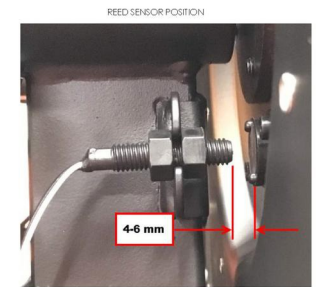
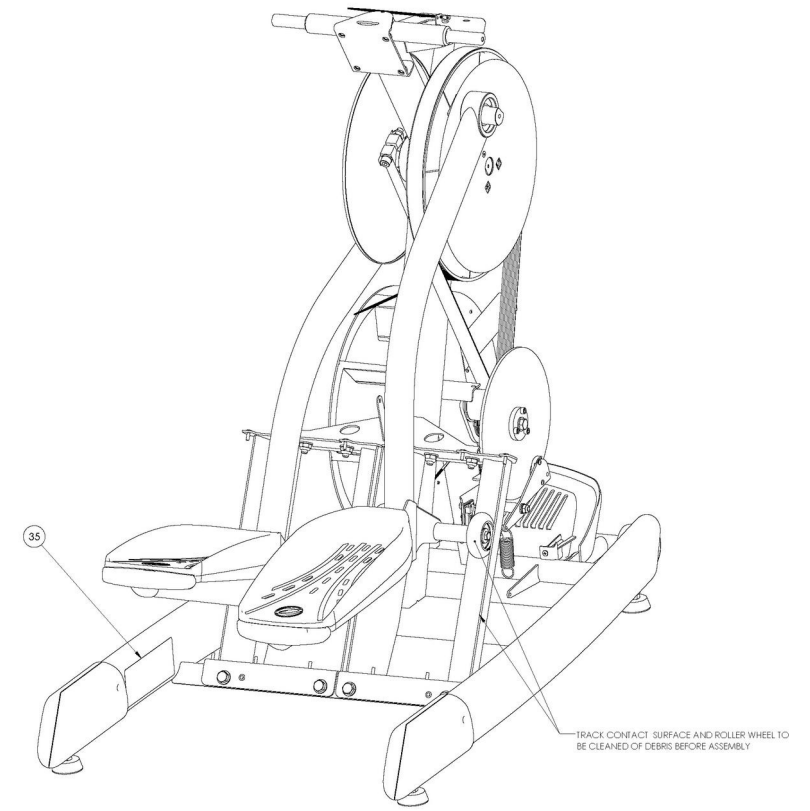
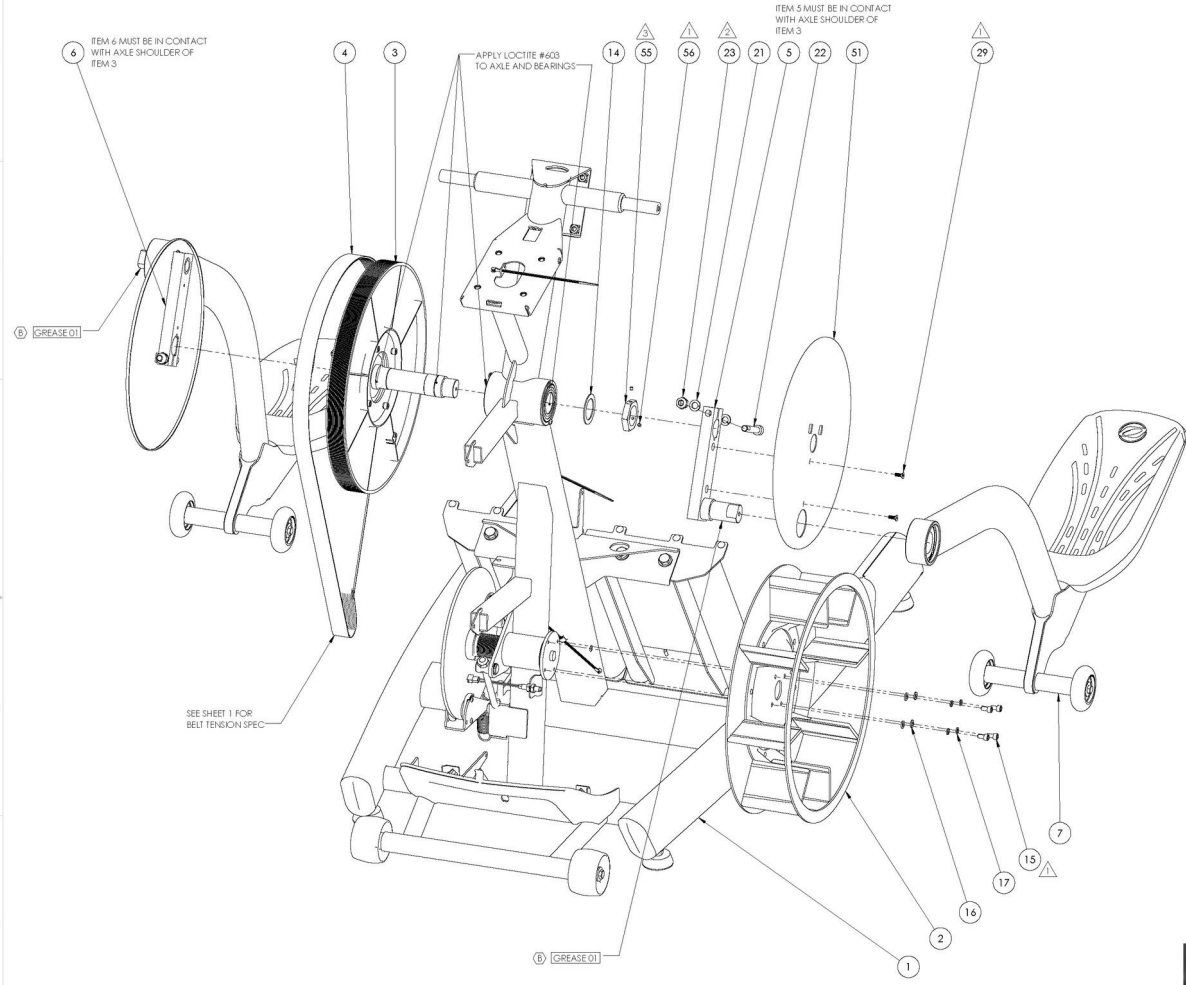


THE INFORMATION CONTAINED IN THIS DRAWING IS THE SOLE PROPERTY OF OCTANE FITNESS. ANY REPRODUCTION IN PART OR WHOLE WITHOUT THE WRITTEN PERMISSION OF OCTANE FITNESS IS PROHIBITED.

REV	DESCRIPTION	ECH #	DATE	ENG
-	See Sheet 1	-	-	-



ITEM NO.	PART NUMBER	DESCRIPTION	QTY
1	111907-001	ASSEMBLY, MAIN FRAME	1
2	111915-001	ASSEMBLY, FAN	1
3	111850-001	ASSEMBLY, DRIVE PULLEY	1
4	111923-001	BELT, DRIVE, 1/2 RB, 4301 (P11651)	1
5	111853-001	WLDMT, CRANK ARM, LH	1
6	111854-001	WLDMT, CRANK ARM, RH	1
7	111847-001	ASSEMBLY, PEDAL LEVER	2
14	111410-001	WASHER, 3/32 X 50 X 1.5, STL, CZ	1
15	950006-007	B18.3.1M, M6 X 1 X 12.0L SHCS, BLACK ZINC, STL	4
16	104567-001	WASHER, 6.4 X 12.5 X 1.6 CZ	4
17	950002-007	B18.21.2M, WASHER, LOCK, STL, M6	4
21	950003-009	B18.21.2M, WASHER, LOCK, STL, M10	4
22	113139-001	SCREW, M10 X 1.5 X 6.5 SHCS, CL12.9, BO	4
23	103395-001	NUT, HEX, NYLON INSERT, M10 X 1.5, CZ CLASS 10	4
29	108590-001	M5 x 14 FHSCS CLASS 10.9	4
35	112683-001	LABEL, WARNING, 6 LANGS, HORIZONTAL	1
51	113432-001	COVER, CRANK ARM, NICKEL PLAT BLACK	2
55	112955-001	NUT, HEX, M35 X 1.5, THIN JAM WITH SET SCREWS	1
56	112957-001	SCREW, SET, M5 X 0.8 X 5.0L, CUP POINT	2

- NOTES:
- ⚠ TORQUE FASTENER TO 5 N-m (44 in-lbs)
 - ⚠ TORQUE FASTENER TO 75-80 N-m (55-60 ft-lbs)
 - ⚠ TORQUE FASTENER TO 45 N-m (33 ft-lbs)

TOLERANCES ARE:		PART DESCRIPTION	
DECIMALS	ANGLES	MIX BASE	
0.1	0.5°		
0.05	0.25°		
0.025	0.125°		
0.015	0.075°		
0.0075	0.0375°		
APPROVED:	DATE:	REV:	QTY:
BY: 02/20/14	02/14	111950-001	1

OCTANE FITNESS
Fuel Your Life

DO NOT SCALE DRAWING. SHEET 01 OF 02