

THE INFORMATION CONTAINED IN THIS DRAWING IS THE SOLE PROPERTY OF OCTANE FITNESS. ANY REPRODUCTION IN PART OR WHOLE WITHOUT THE WRITTEN PERMISSION OF OCTANE FITNESS IS PROHIBITED.

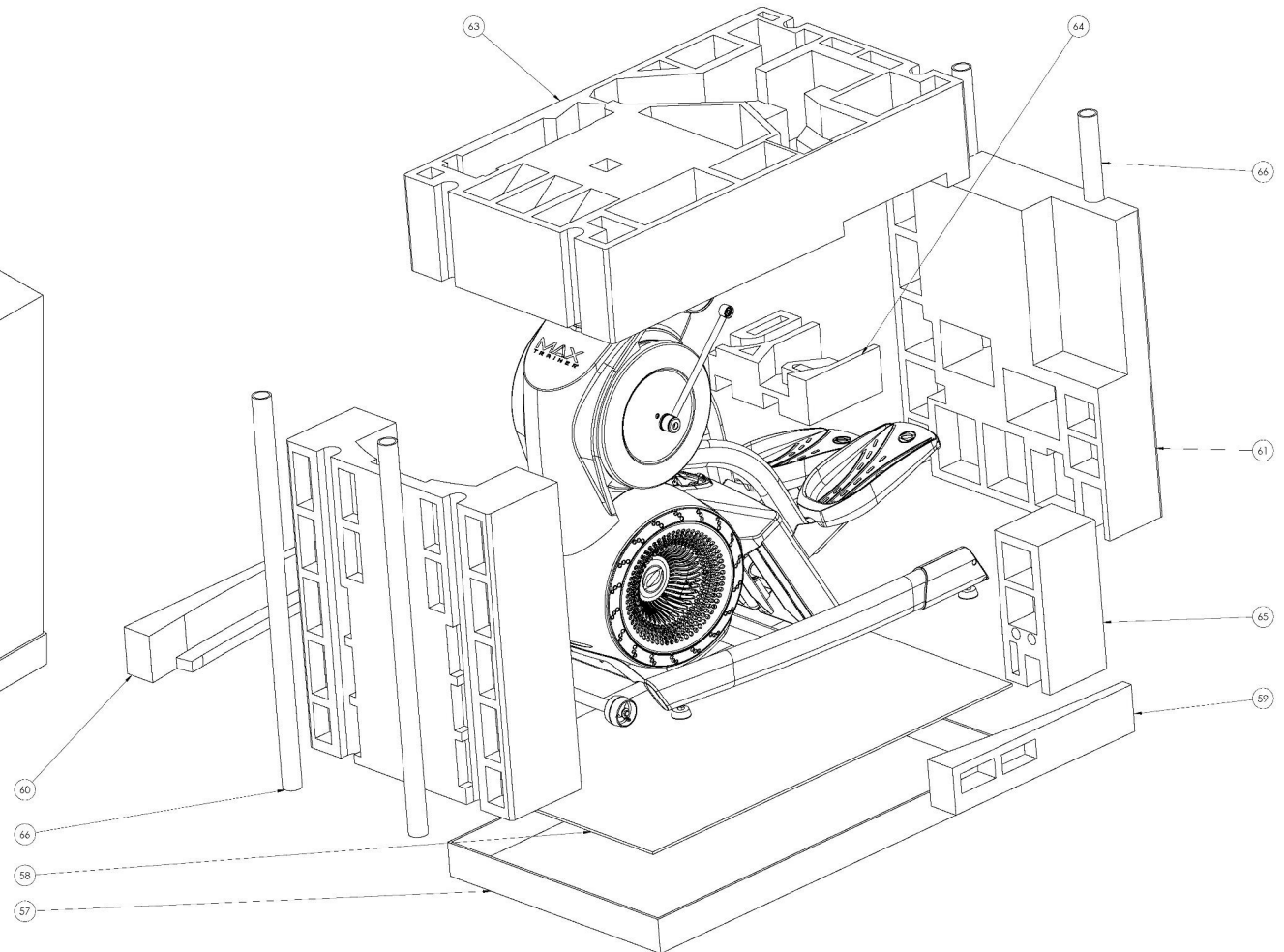
PACKAGING SPECIFICATIONS

112643-001 SPEC - BOX

CORRUGATE TYPE	DOUBLE WALL
BURST STRENGTH	150 LB/SQ INCH
EDGE COMPRESSIVE STRENGTH	50 LB/INCH
INTERNAL PACKAGING	
113512-001	21.6 KG/M ³
113513-001	21.6 KG/M ³
113514-001	21.6 KG/M ³
113517-001	21.6 KG/M ³
113518-001	21.6 KG/M ³
113520-001	21.6 KG/M ³
113521-001	21.6 KG/M ³
BANDING STRAPS (12MM)	4 PCS

REV	DESCRIPTION	ECO	DATE	ENG
-	See Sheet 1	-	-	-

4X BANDING STRAPS



ITEM NO.	PART NUMBER	DESCRIPTION	QTY
57	113522-001	BOX, MTX BASE BOX, BOTTOM	1
58	113519-001	BOX, MTX BASE BOX, BOTTOM SHEET	1
59	113512-001	INSERT, FOAM, MTX BASE BOX, SIDE SUPPORT, LH	1
60	113513-001	INSERT, FOAM, MTX BASE BOX, SIDE SUPPORT, RH	1
61	113514-001	INSERT, FOAM, MTX BASE BOX, SIDE SUPPORT, LIGHT END	1
62	113517-001	INSERT, FOAM, MTX BASE BOX, SIDE SUPPORT, HEAVY END	1
63	113518-001	INSERT, FOAM, MTX BASE BOX, TOP	1
64	113520-001	INSERT, FOAM, MTX BASE BOX, PEDAL LEVER SUPPORT	1
65	113521-001	INSERT, FOAM, MTX BASE BOX, CONSOLE SUPPORT	1
66	113524-001	TUBE, CARDBOARD, MTX BASE BOX	4

OCTANE FITNESS
Fit Your Life

TOLERANCES ARE:
 DECIMALS ANGLES
 .05 (0.05) (0.5)
 .000 (0.000)

PART DESCRIPTION: MTX BASE

APPROVAL: [Signature] PART: 111950-001
 DRAWN BY: [Signature] DATE: 08/14/18