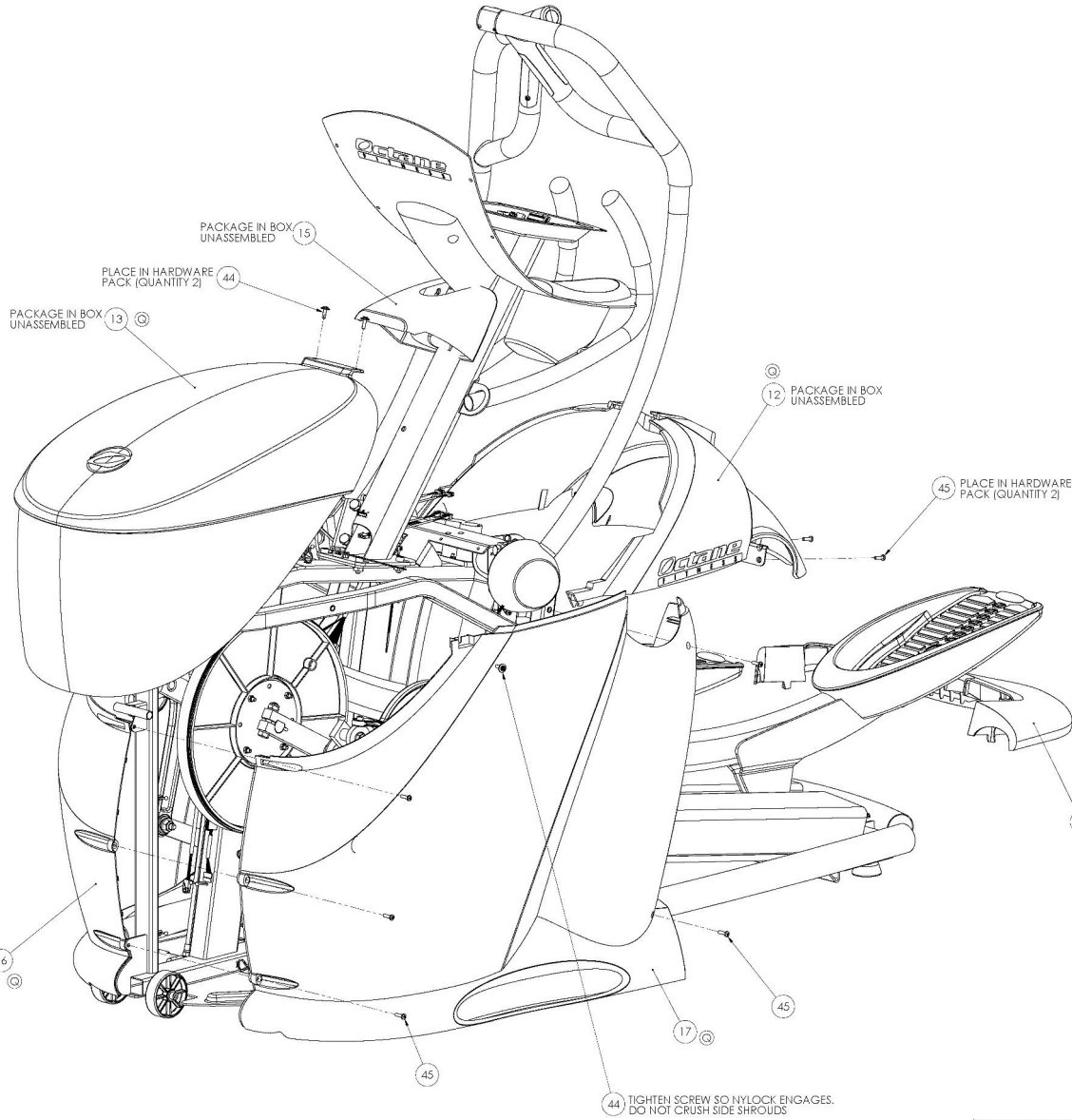


8 THE INFORMATION CONTAINED IN THIS DRAWING IS THE SOLE PROPERTY OF OCTANE FITNESS. ANY REPRODUCTION IN PART OR WHOLE WITHOUT THE WRITTEN PERMISSION OF OCTANE FITNESS IS PROHIBITED.



NOTES:

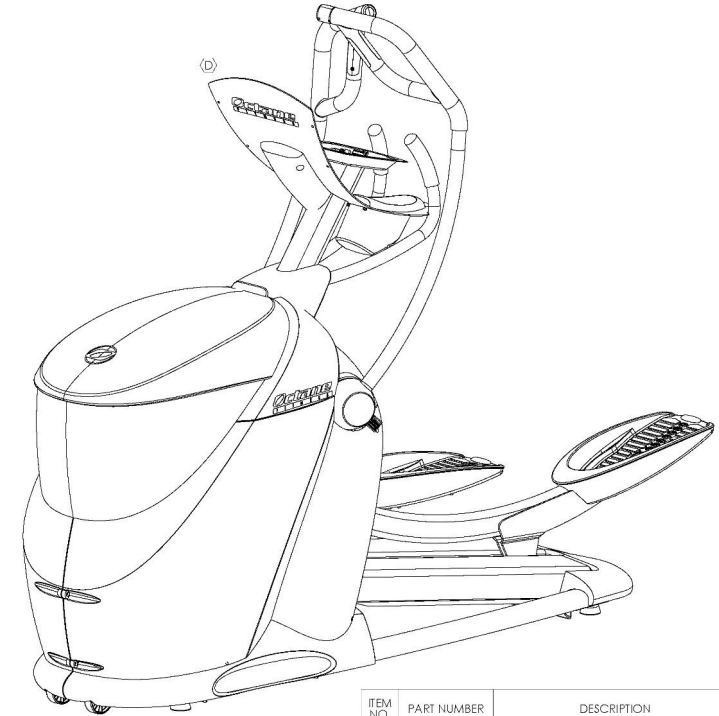
1. OCTANE FITNESS ENGINEERING APPROVAL ON FIRST SAMPLES AND VENDOR INSPECTION REPORT REQUIRED PRIOR TO PRODUCTION FROM NEW OR REVISED TOOLING.



APPLICABLE OCTANE FITNESS SPECIFICATIONS

SPEC NO.	SPECIFICATION TITLE
OFS-001	BELT TENSION REQUIREMENTS

REV	DESCRIPTION	LEN #	DATE	ENG
A	PRODUCTION RELEASE	001-00-014713	4/14/08	PKS
B	SH 5: CHANGED AND FIT ON CRANK ARM TO CLASS 10. ADDED FLAG NOTCH AND APPLIED TO CLASS 10 NOTCH	001-00-014810	9/23/2008	NRL
C	CHANGED ITEM 10, 19, 20, AND 41	001-00-014816	10/14/2008	NRL
D	SH 2: REFACTD MAINT ASSEMBLY 10116A-001 WITH REVISION 10330-001	001-00-014807	10/20/2008	BHG
E	SH 1: UPDATED SIDE SHROUDS WITH ENGLISH/GERMAN/FRENCH WARNING AND CAUTION LABELS.	001-00-014832	1/28/2009	BHG
F	CHANGED ITEMS 24 AND 25 (MOVING ARMS)	001-00-014836	2/11/2009	CJK
G	SH 1: CHANGED MATERIAL TYPE OF PLASTIC SHROUDS SURROUNDING CONSOLE OR BRACE TO ARIE 1004000000000000.	001-00-014837	4/14/2009	BHG
H	SH 3: CHANGED UPPER ARM BALL BEARING LINK TO PLASTIC DESIGN	001-00-014851	8/11/2009	NRL
I	SH 3: UPDATED PEDAL LEVERS	001-00-014893	2/11/2010	BHG
J	SH 6: UPDATED TRACKS IN MAIN FRAME ASSEMBLY	001-00-013006	4/27/2010	PKS
K	SH 4: CHANGED ITEM 28 AND 9	001-00-013079	12/29/2010	NRL
L	SH 2: REPLACED MOVING ARMS AND ATTACHMENT METHOD. DISASSEMBLED 13, 14, 15 AND ADDED CABLE ROUTING HARDWARE	001-00-014956	12/29/2010	BHG
M	SH 2: CHANGED MOVING ARMS	001-00-015151	3/22/2011	PKS
N	SH 6: CHANGED PULLY TO GROOVED STYLE AND INCREASED DOTTI TENSION	001-00-015125	3/23/2011	NRL
P	SH 1: ADD TO OCTANE SPECIFICATIONS TABLE	001-00-015203	9/21/2011	NRL
Q	SH 4: REMOVED BELT TENSION NOTE	001-00-015212	10/4/2011	BHG
U	SH 1: MATERIAL UPDATED FOR ITEM 12, 13, 16, 17.	001-00-015212	10/4/2011	BHG
V	SH 4: UPDATED STRIDE LENGTH SETTING TO LONG (84) STRIDE	001-00-015256	6/15/2012	PKS
W	SH 3: PEDAL LEVERS (ITEM 10) WERE 10330-001 VIEWS UPDATED TO SHOW CHANGES TO REAR FRAME BRACKET	001-00-015316	12/19/2012	USCB
X	SH 3: REMOVED 10204-001	001-00-015479	11/24/2013	ICC



ITEM NO.	PART NUMBER	DESCRIPTION	SH 1 / QTY.
10	107672-001	ASSY, BRACED PEDAL LEVER, 3700	2
11	102914-001	ASSEMBLY, REAR TRACK COVER	1
12	101668-001	ASSEMBLY, ACCESS PANEL	1
13	101987-001	ASSEMBLY, TOP SHROUD	1
15	101870-001	COVER, MAINT BOOT	1
16	106935-001	ASSY, RH STANDING SHROUD	1
17	106936-001	ASSY, LH STANDING SHROUD	1
44	102306-001	SCREW, M5 X 0.8 X 18, PAN HEAD, TYPE 1, CROSS RECESSED, SZ. FLAT WASHER	4
45	102134-001	SCREW, M5 X 0.8 X 18, PAN HEAD, TYPE 1, CROSS RECESSED, SS	9

OCTANE FITNESS

REV	DESCRIPTION	LEN #	DATE	ENG
1	ASSEMBLY, PRO3700 BASE ASSEMBLY, BOX, ROHS	103042-001		