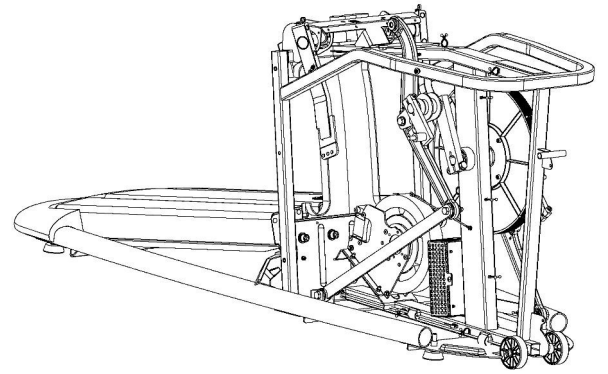
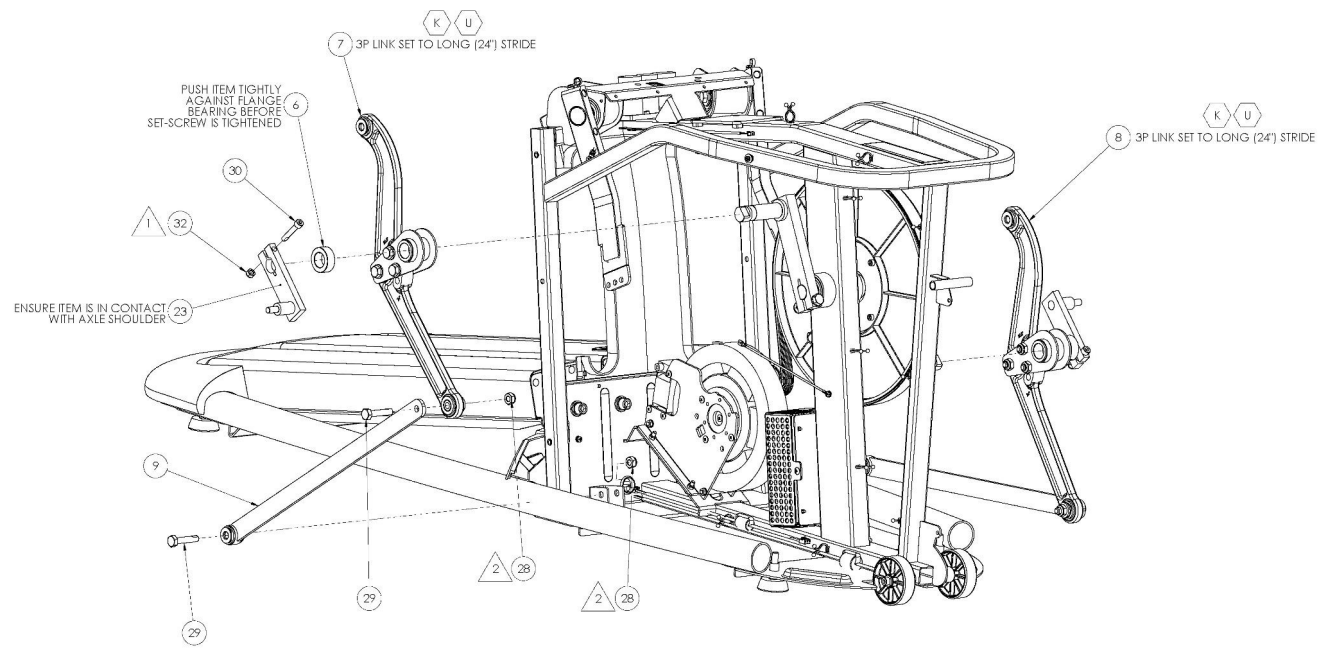


8 THE INFORMATION CONTAINED IN THIS DRAWING IS THE SOLE PROPERTY OF OCTANE FITNESS. ANY REPRODUCTION IN PART OR WHOLE WITHOUT THE WRITTEN PERMISSION OF OCTANE FITNESS IS PROHIBITED.

REV	DESCRIPTION	ECO #	DATE	ENG
-	See Sheet 1	-	-	-



- NOTES:
- 1 TORQUE FASTENER TO 23 N-M (17 FT-LB)
 - 2 TORQUE FASTENER TO 28 N-M (21 FT-LB)
 - 3 TORQUE FASTENER TO 45 N-M (33 FT-LB)

ITEM NO.	PART NUMBER	DESCRIPTION	SHI 4/QTY.
6	102074-001	COLLAR, LOCKING, SET SCREW, 25MM	2
7	105148-001	ASSEMBLY, RH 3P LINK	1
8	105149-001	ASSEMBLY, LH 3P LINK	1
9	105150-001	ASSEMBLY, LINK, STABILIZER	2
10	107672-001	ASSY. BRACED PEDAL LEVER, 3700	2
23	102042-001	WELDMENT, OFFSET CRANK, PRO	2
28	950046-009	NUT, HEX, NYLON INSERT, STL, M10	10
29	101561-001	BOLT, M10 X 1.5 X 50, HEX HEAD, GR 8.8, CZ	4
30	101296-001	SCREW, M8 X 1.25 X 45.0l, SHCS, BLACK ZINC, 12.9 STL	2
32	950046-008	NUT, HEX, NYLON INSERT, STL, MB	4

OCTANE FITNESS
Fast Your Life

DESCRIPTION: ASSEMBLY, PRO3700 BASE
 SEE NOTES
 103042-001