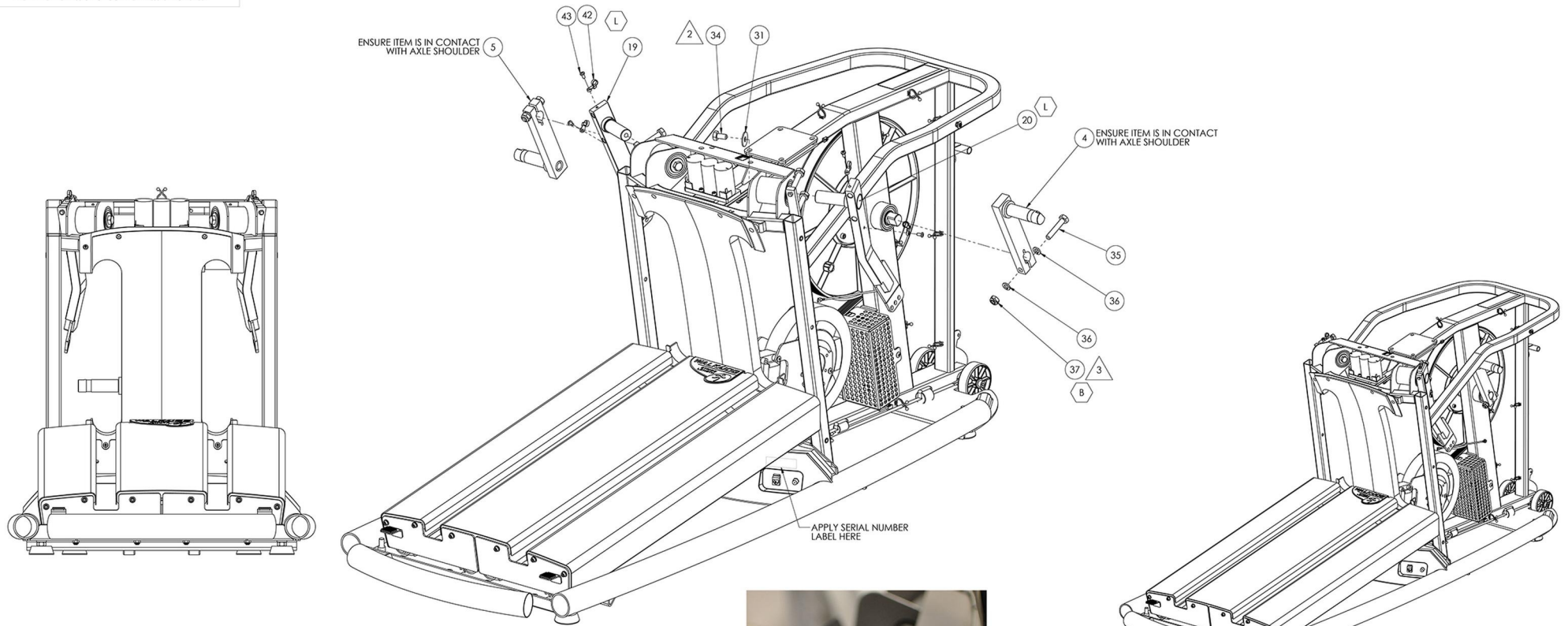


THE INFORMATION CONTAINED IN THIS DRAWING IS THE SOLE PROPERTY OF OCTANE FITNESS. ANY REPRODUCTION IN PART OR WHOLE WITHOUT THE WRITTEN PERMISSION OF OCTANE FITNESS IS PROHIBITED.

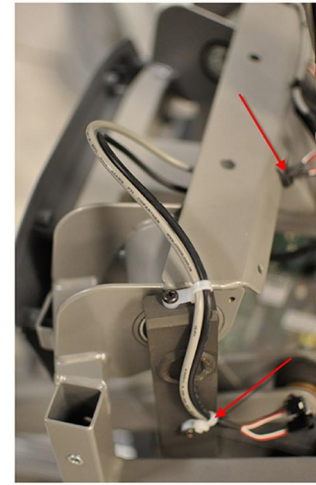
REV	DESCRIPTION	ECO #	DATE	ENG
1	Rev 10/2017			



RIGHT ROCKER SHOWN. ROUTE CABLE WITH 101416-001 AS SHOWN. BOTTOM CABLE TIE TO BE ALIGNED AT 45 DEGREES TO EDGE OF ROCKER.



RIGHT ROCKER SHOWN. TOP CABLE TIE MUST BE POSITIONED EXACTLY AS SHOWN.



RIGHT ROCKER CABLE ROUTING SHOWN. MAKE SURE BLACK CABLE SHRINK WRAP IS LOCATED AT CABLE TIE (SEE RED ARROWS). THIS WILL LEAVE EXTRA CABLE FOR THE LOOP AS SHOWN IN THE PICTURE TO THE RIGHT.



FREE CABLE IN LOOP SHOULD BE APPROXIMATELY THIS LENGTH.

- NOTES:
- 1 TORQUE FASTENER TO 23 N-M (17 FT-LB)
 - 2 TORQUE FASTENER TO 45 N-M (33 FT-LB)
 - 3 TORQUE FASTENER TO 75-80 N-M (55-60 FT-LB)

ITEM NO.	PART NUMBER	DESCRIPTION	Shft 5/QTY.
4	102047-001	WELDMENT, RIGHT CRANK ARM	1
5	102048-001	WELDMENT, LEFT CRANK ARM	1
10	107672-001	ASSY, BRACED PEDAL LEVER, 3700	2
19	105199-001	WLDMT, LEFT COMM ROCKER	1
20	105197-001	WLDMT, RIGHT COMM ROCKER	1
28	950044-009	NUT, HEX, NYLON INSERT, STL, M10	10
29	101561-001	BOLT, M10 X 1.5 X 50, HEX HEAD, GR 8.8, CZ	4
31	101720-001	WASHER, 10 X 30 X 2, STEEL, CZ	2
34	100714-001	BOLT, M10 X 1.5 X 20, HEX HEAD, GR 8.8, CZ	2
35	100715-001	BOLT, M10 X 1.5 X 55, HEX HEAD, GR 8.8, CZ	4
36	950052-009	B18.21.2M, WASHER, LOCK, STL, M10	8
37	103395-001	NUT, HEX, NYLON INSERT, M10 X 1.5, CZ CLASS 10	2
42	101416-001	CABLE TIE, SCREW MOUNT, M5	4
43	100602-001	SCREW, M5 X 0.8 X 10, PAN HEAD, TYPE 1 CROSS RECESSED, B2	4

OCTANE FITNESS
Fuel Your Life

DESCRIPTION: ASSEMBLY, PRO3700 BASE
MATERIAL: XXX-XXX-XX
PART NO.: 103042-001
REV: 1

SEE NOTES

DO NOT SCALE DRAWING