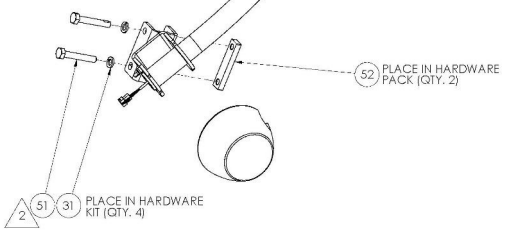
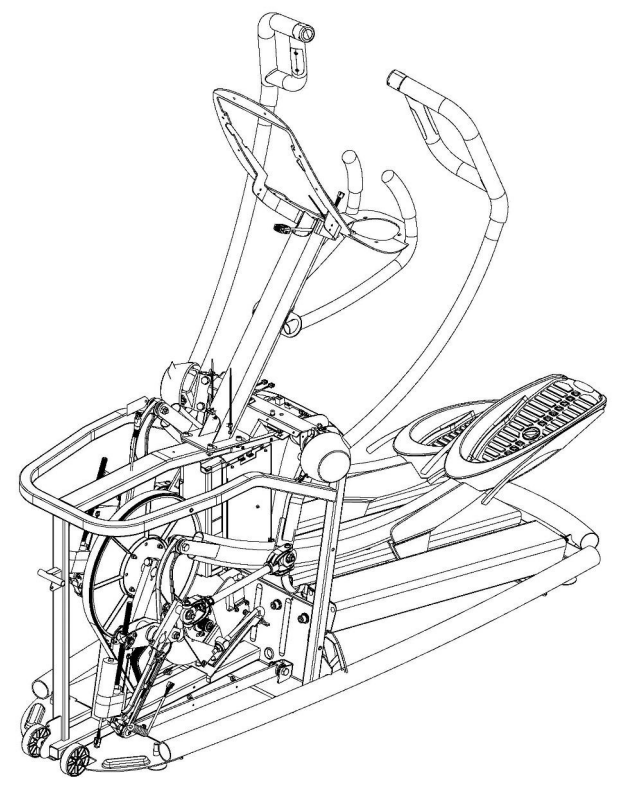
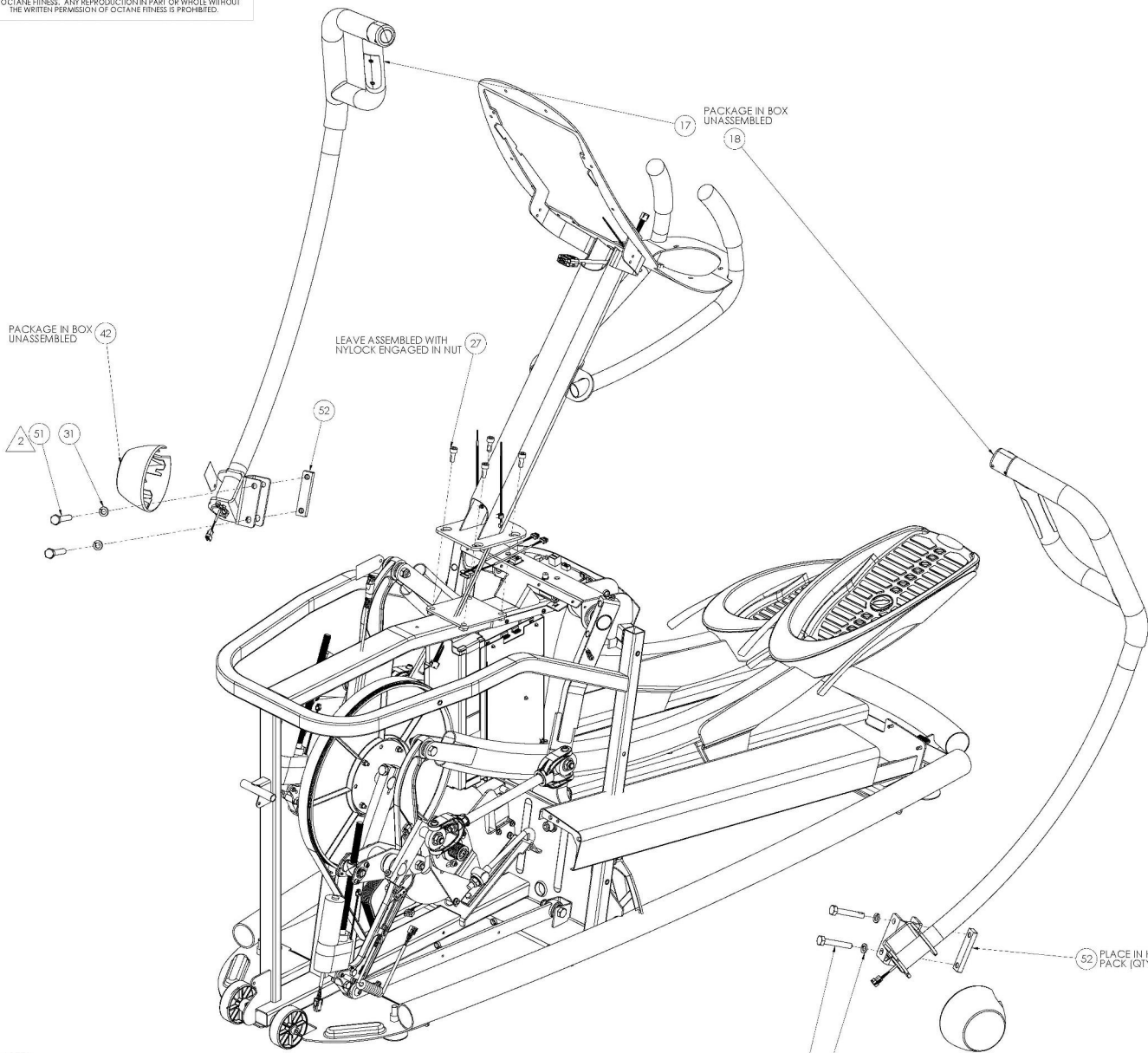


8 7 6 5 4 3 2 1  
 THE INFORMATION CONTAINED IN THIS DRAWING IS THE SOLE PROPERTY OF OCTANE FITNESS. ANY REPRODUCTION IN PART OR WHOLE WITHOUT THE WRITTEN PERMISSION OF OCTANE FITNESS IS PROHIBITED.

REV	DESCRIPTION	ECO #	DATE	ENG
-	See Sheet1	-	-	-



NOTES:  
 ⚠ TORQUE FASTENER TO 23 N-M (17 FT-LB)  
 ⚠ TORQUE FASTENER TO 45 N-M (33 FT-LB)

ITEM NO.	PART NUMBER	DESCRIPTION	Shl 2/QTY.
11	107673-001	ASSY, BRACED PEDAL LEVER, 4700	2
17	106485-001	ASSY, REMOVING ARM, PRO	1
18	106488-001	ASSY, REMOVING ARM, 4700	1
27	101295-001	SCREW, M8 X 1.25 X 20.0L SHCS, BLACK ZINC, 12.9 STL	4
31	950052-009	B18.21.2M, WASHER, LOCK, STL, M10	8
42	101979-001	COVER, HANDLE BAR, NO DUAL LOCK	2
51	105606-001	BOLT, M10 X 1.5 X 65, HEX HEAD, GR 8.8, C7	4
52	105605-001	BAR, ARM, M10 HOLES	2

**OCTANE FITNESS**  
*Fuel Your Life*

DESCRIPTION: ASSEMBLY, PRO4700 TOUCH BASE BOX

ITEM NO: 105950-001

REV: C