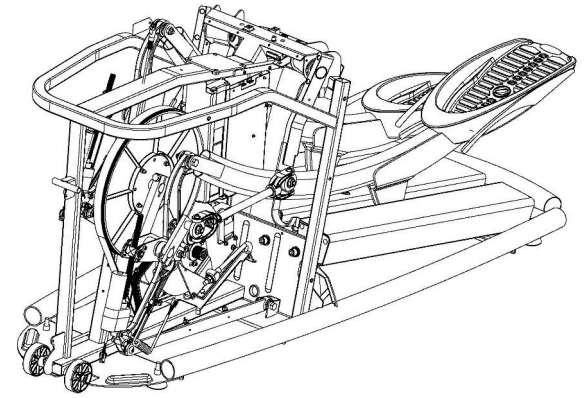
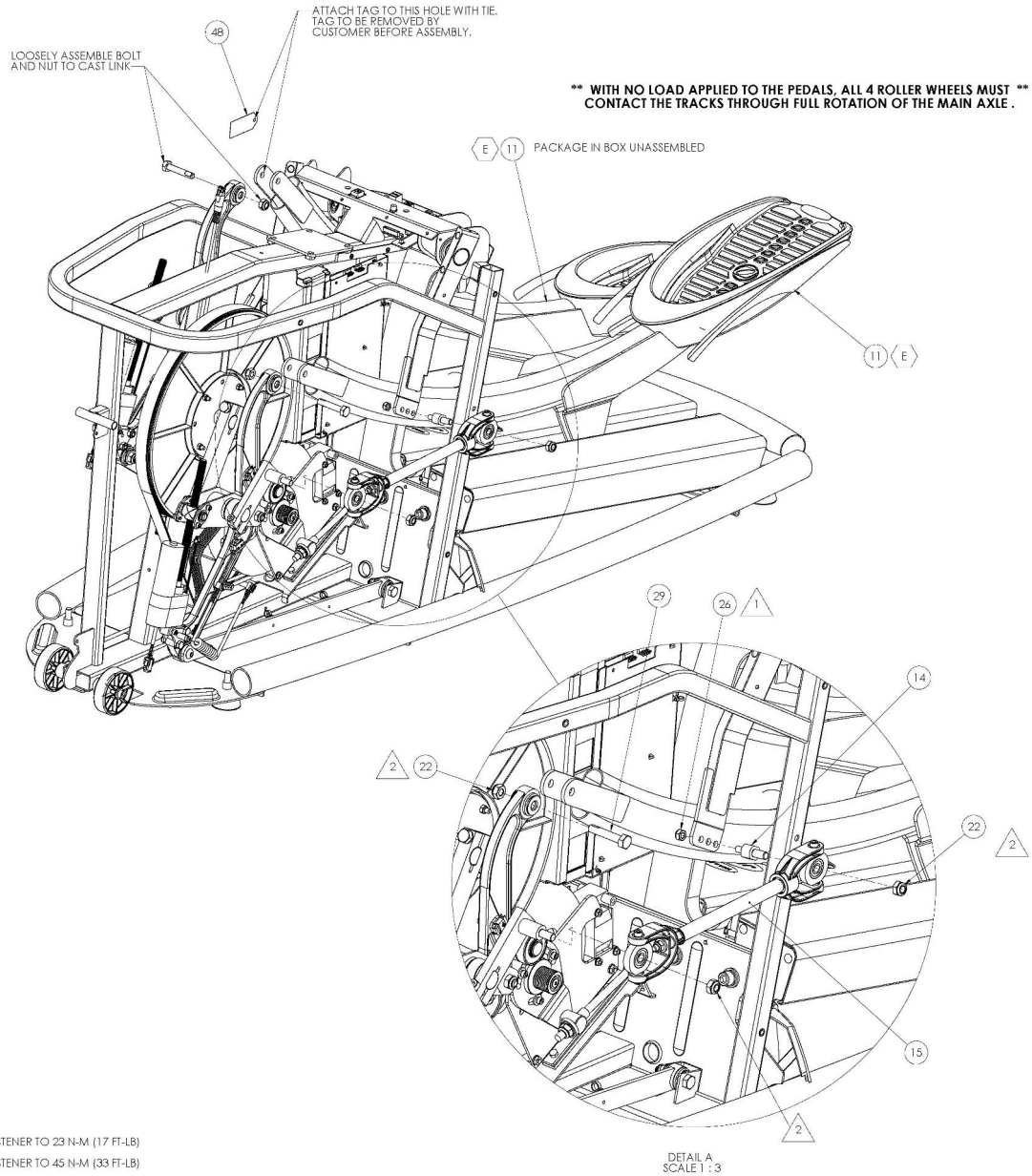


THE INFORMATION CONTAINED IN THIS DRAWING IS THE SOLE PROPERTY OF OCTANE FITNESS. ANY REPRODUCTION IN PART OR WHOLE WITHOUT THE WRITTEN PERMISSION OF OCTANE FITNESS IS PROHIBITED.

REV	DESCRIPTION	ECO #	DATE	ENG
-	See Sheet1	-	-	-



- NOTES:
- ▲ TORQUE FASTENER TO 23 N-M (17 FT-LB)
 - ▲ TORQUE FASTENER TO 45 N-M (33 FT-LB)

ITEM NO.	PART NUMBER	DESCRIPTION	Shl 3/QTY.
11	107673-001	ASSY, BRACED PEDAL LEVER, 4700	2
14	102498-001	SHAFT, ROCKER	2
15	102710-001	ASSEMBLY, MULTI-AXIS BEARING LINK, PLASTIC	2
22	950046-009	NUT, HEX, NYLON INSERT, STL, M10	10
26	950046-008	NUT, HEX, NYLON INSERT, STL, M8	4
29	100715-001	BOLT, M10 X 1.5 X 55, HEX HEAD, GR 8.8, CZ	4
48	102286-001	TAG, TIGHTEN SECURELY	1

OCTANE FITNESS
Fast Your Life
 DESCRIPTION: ASSEMBLY, PRO4700 TOUCH BASE BOX
 PART NUMBER: 105950-001
 SEE NOTES