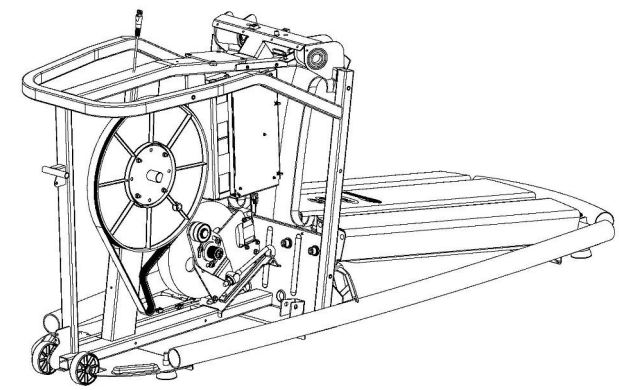
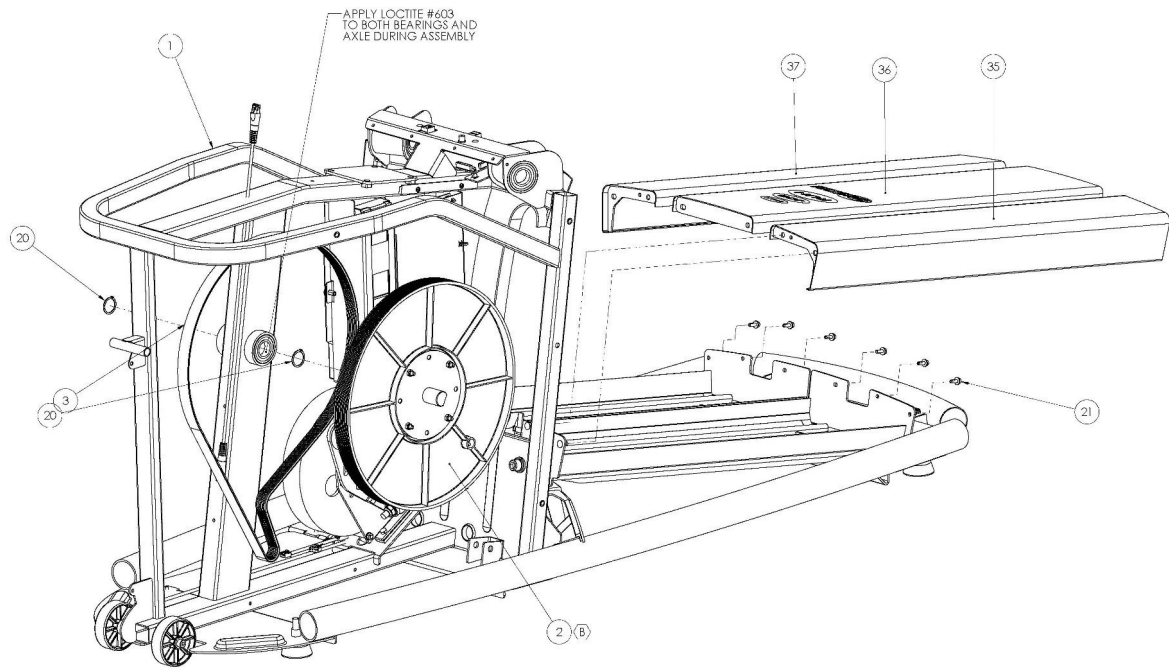


8 7 6 5 4 3 2 1

THE INFORMATION CONTAINED IN THIS DRAWING IS THE SOLE PROPERTY OF OCTANE FITNESS. ANY REPRODUCTION IN PART OR WHOLE WITHOUT THE WRITTEN PERMISSION OF OCTANE FITNESS IS PROHIBITED.

REV	DESCRIPTION	ECO #	DATE	ENG
-	See Sheet	-	-	-



ITEM NO.	PART NUMBER	DESCRIPTION	SHI 6/QTY.
1	105951-001	ASSEMBLY, MAIN FRAME COMPONENTS	1
2	104956-001	ASSY, Q47 PULLEY, ROHS	1
3	100822-001	BELT, DRIVE, 10 RIB, 580J	1
11	107673-001	ASSY, BRACED PEDAL LEVER, 4700	2
20	900009-001	RING, RETAINING, 25MM	2
21	101821-001	SCREW, M5 X 0.8 X 16.0L SHCS, SS, FLAT WASHER	6
35	102777-001	ASSEMBLY, TRACK COVER, OUTSIDE, LH	1
36	103455-001	ASSEMBLY, TRACK COVER, CENTER	1
37	102778-001	ASSEMBLY, TRACK COVER, OUTSIDE, RH	1

OCTANE FITNESS
Full Your Life

DESCRIPTION:
 ASSEMBLY, PRO4700 TOUCH BASE BOX

SEE NOTES

105950-001