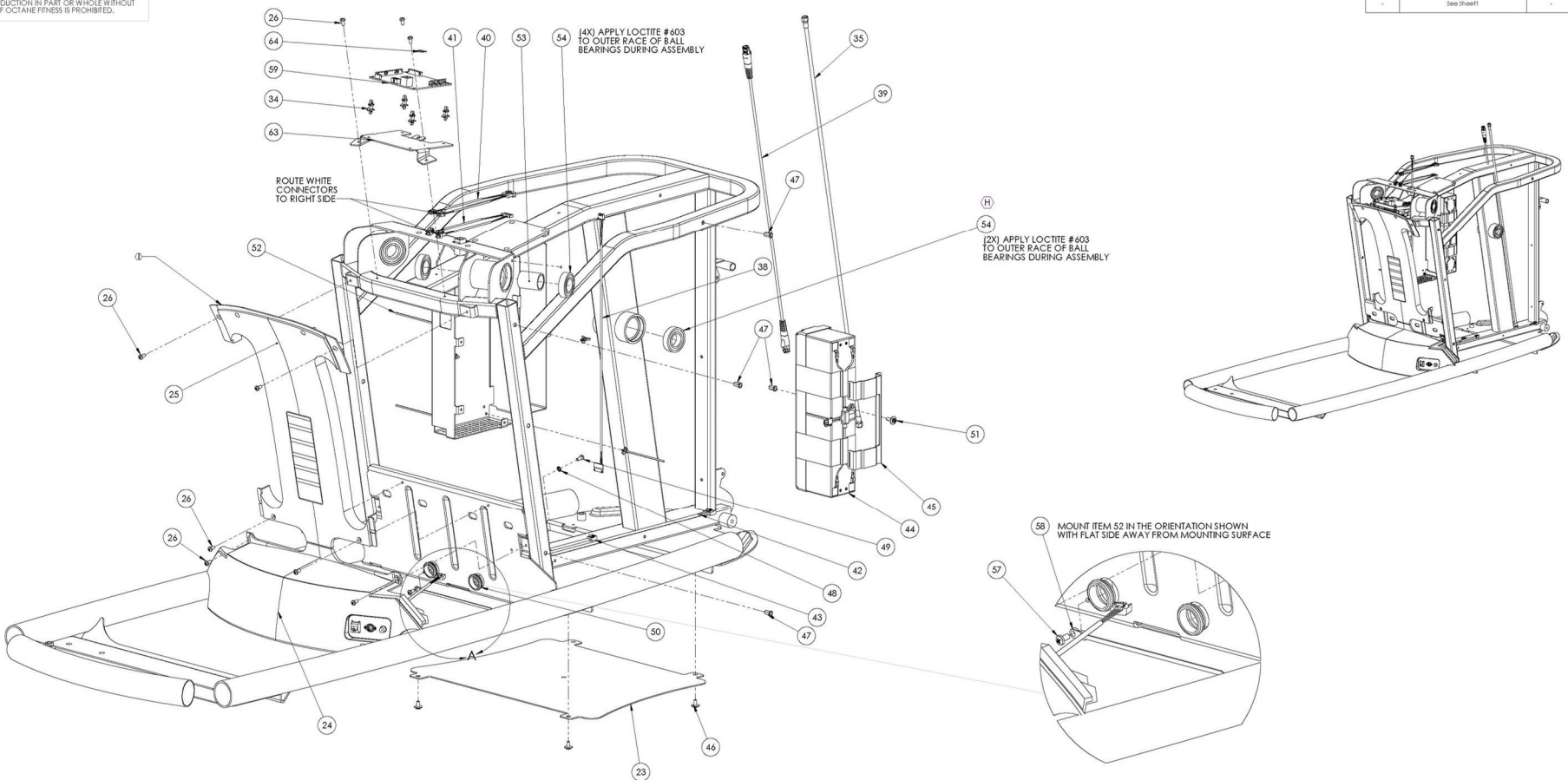


THE INFORMATION CONTAINED IN THIS DRAWING IS THE SOLE PROPERTY OF OCTANE FITNESS. ANY REPRODUCTION IN PART OR WHOLE WITHOUT THE WRITTEN PERMISSION OF OCTANE FITNESS IS PROHIBITED.

REV	DESCRIPTION	ECN #	DATE	ENG
-	See Sheet1	-	-	-

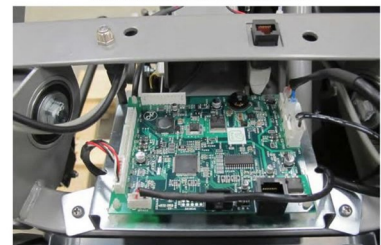
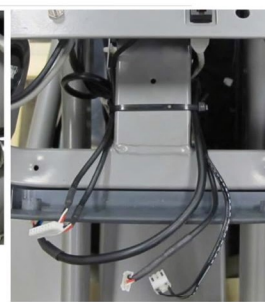


CABLE ROUTING

DETAIL A
SCALE 1 : 2

CONTROL BOARD BASE CONNECTIONS

ITEM NO.	PART NUMBER	DESCRIPTION	Sht 2/QTY.
1	103485-001	WELDMENT, MAIN FRAME, 4700	1
23	101456-001	COVER, PLASTIC BOTTOM	1
24	105949-001	ASSEMBLY, LOWER REAR SHROUD	1
25	110963-001	ASSEMBLY, SHROUD, UPPER REAR	1
26	102135-001	SCREW, M5 X 0.8 X 10, PAN HEAD, TYPE 1 CROSS RECESSED, SS	9
35	106140-001	CABLE, CO-AXIAL, BASE	1
38	105948-001	CABLE ASSEMBLY, PAC BOARD TO CONTROL BOARD, SIGNAL	1
39	105947-001	CABLE ASSEMBLY, LAN	1
40	105609-001	CABLE ASSY, BASE, MOVING HP, LONG	1
41	105945-001	CABLE ASSEMBLY, BASE, HB BUTTONS	1
42	103914-001	CABLE ASSEMBLY, GENERATOR BRAKE POWER	1
43	103915-001	CABLE ASSEMBLY, GENERATOR BRAKE INDUCTOR	1
44	103750-001	ASSEMBLY, BATTERY PACK	1
45	103461-001	BRACKET, BATTERY RETAINER	1
46	102304-001	SCREW, M5 X 0.8 X 12, PAN HEAD, TYPE 1, CROSS RECESSED, B2, FLAT WASHER	5
47	900031-002	RIVNUT, BRASS, M5 X 0.8	7
48	101014-001	WASHER, M5, EXTERNAL TOOTH, STEEL, C2	1
49	100554-001	SCREW, M5 X 0.8 X 12, PAN HEAD, TYPE 1 CROSS RECESSED, B2	1
50	101845-001	GROMMET, 24 X 54	2
51	102306-001	SCREW, M5 X 0.8 X 18, PAN HEAD, TYPE 1, CROSS RECESSED, B2, FLAT WASHER	1
52	101314-001	TIE, PUSH MOUNT, W2.5*L112	4
53	101718-001	SPACER, ARM PIVOT TUBE	2
54	101846-001	BEARING, BALL, 6005, C2	6
57	100602-001	SCREW, M5 X 0.8 X 10, PAN HEAD, TYPE 1 CROSS RECESSED, B2	1
58	101416-001	CABLE TIE, SCREW MOUNT, M5	1
59	106825-001	ASSEMBLY, ELLIPTICAL CONTROL BOARD, PROGRAMMED, PRO4700T	1
63	105936-001	BRACKET, CONTROL BOARD	1
64	106845-001	LABEL, CSAFF COVER	1



NOTES:
 1. OCTANE FITNESS ENGINEERING APPROVAL ON FIRST SAMPLES AND VENDOR INSPECTION REPORT REQUIRED PRIOR TO PRODUCTION FROM NEW OR REVISED TOOLINGS.
 2. SUPPLIER MUST SUPPLY A DECLARATION OF COMPLIANCE WITH EUROPEAN COUNCIL DIRECTIVE 2002/95/EC, ON THE RESTRICTION OF USE OF CERTAIN HAZARDOUS SUBSTANCES (RoHS).

REVISED	DESIGNED	PRECED	DATE	DESCRIPTION
1	10/25/2008	10/25/2008	10/25/2008	ASSEMBLY, MAIN FRAME COMPONENTS

DO NOT SCALE DRAWING

OCTANE FITNESS
Fuel Your Life
 105951-001