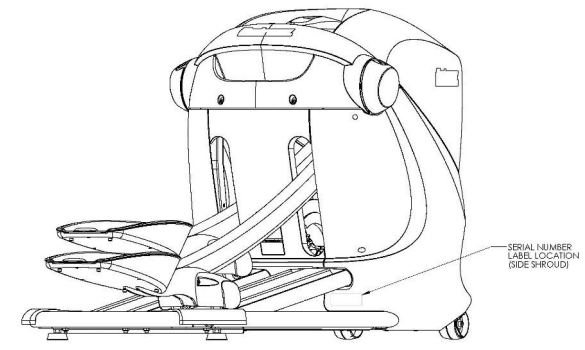
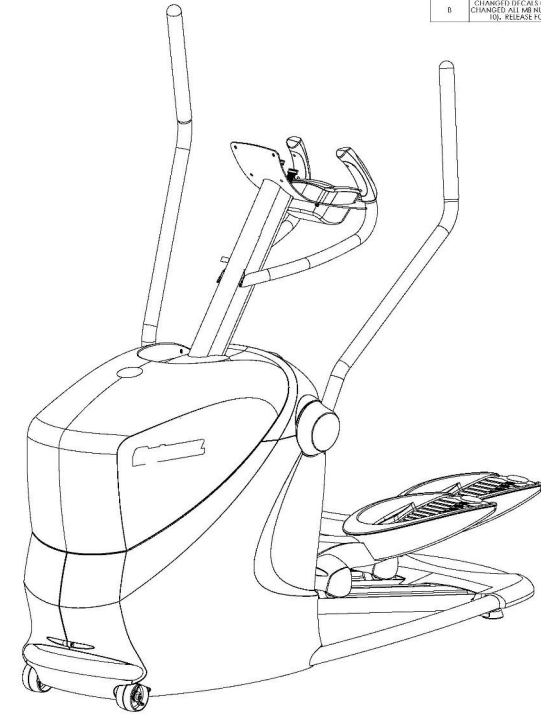
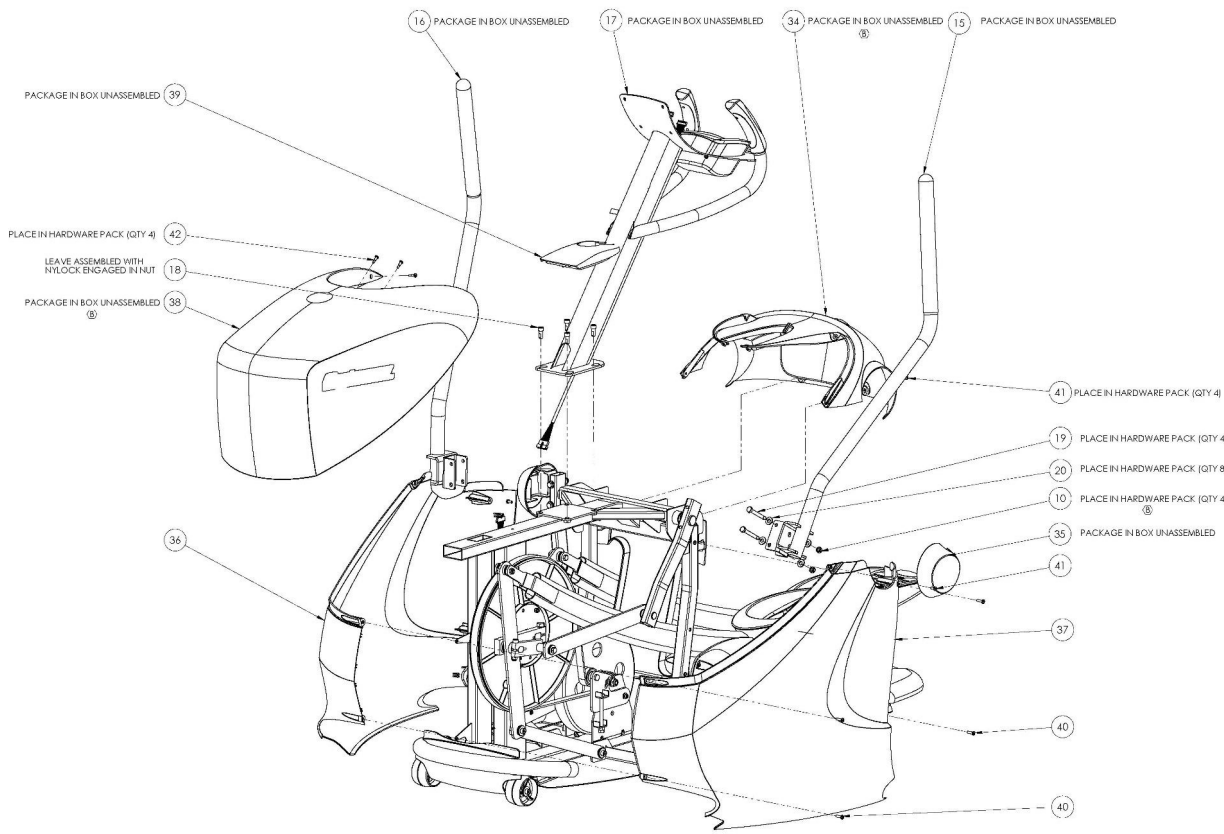


THE INFORMATION CONTAINED IN THIS DRAWING IS THE SOLE PROPERTY OF OCTANE FITNESS. ANY REPRODUCTION IN PART OR WHOLE WITHOUT THE WRITTEN PERMISSION OF OCTANE FITNESS IS PROHIBITED.

REV	DESCRIPTION	ECN #	DATE	ENG
A	RELEASE FOR FLIGHT	001-00-01-5403	2/15/2013	PRS
B	CHANGED THE CALL OUT FOR SA AND SO. CHANGED ALL M8 NUTS TO GRADE 10 (ITEM 10). RELEASE FOR PRODUCTION.	001-00-01-5402	5/06/2013	PRS



ITEM NO.	PART NUMBER	DESCRIPTION	CONFIG 2/QTY.
10	103393-001	NUT, HEX, NYLON INSERT, M8 X 1.25, CZ CLASS 10	12
15	108021-001	ASSEMBLY, LEFT UPPER ARM	1
16	108019-001	ASSEMBLY, RIGHT UPPER ARM	1
17	108025-001	ASSEMBLY, CONSOLE MAST	1
18	101295-001	SCREW, M8 X 1.25 X 30.0, SHCS, BLACK, JINCO, 12-9-31	4
19	100735-001	BOLT, M8 X 1.25 X 68 HCS, GR 12-9, CZ	4
20	900040-005	818.22M, WASHER, FLAT, STL, M8	8
34	108421-001	ASSEMBLY, ACCESS PANEL, Q35	1
35	101273-001	COVER HANDLE BAR, Q35	2
36	103920-001	SHROUD, RIGHT	1
37	103921-001	SHROUD, LEFT	1
38	106977-001	ASSEMBLY, TOP SHROUD	1
39	103927-001	NOCT, Q37 DP	1
40	100787-001	SCREW, M8 X 0.8 X 18, PANHEAD, TYPE 1, CROSS RECESSED, B7	6
41	100554-001	SCREW, M8 X 0.8 X 12, PANHEAD, TYPE 1, CROSS RECESSED, B7	4
42	104562-001	SCREW, M8 X 0.8 X 18, PANHEAD, TYPE 1, PILEOT POINT, B7	4

APPLICABLE OCTANE FITNESS SPECIFICATIONS

SPEC NO.	SPECIFICATION TITLE
OFS-001	BELT TENSION REQUIREMENTS

NOTES:
 1. OCTANE FITNESS ENGINEERING APPROVAL ON FIRST SAMPLE AND VENDOR INSPECTION REPORT REQUIRED PRIOR TO PRODUCTION FROM NEW OR REVISED TOOLING.
 2. SUPPLIER MUST SUPPLY A DECLARATION OF COMPLIANCE WITH EUROPEAN COUNCIL DIRECTIVE 2002/95/EC, ON THE RESTRICTION OF USE OF CERTAIN HAZARDOUS SUBSTANCES (RoHS).

TOLERANCES ARE:		PART DESCRIPTION	
DECIMALS	ANGLES	ASSEMBLY, Q35 BASE, 2013	
0.10	0.50	REV	108100-001
0.05	0.25	DATE	5/1/2013
0.02	0.10	BY	PRS
0.01	0.05	CHKD	PRS
0.005	0.02	APPV	PRS
0.002	0.01	DATE	5/1/2013