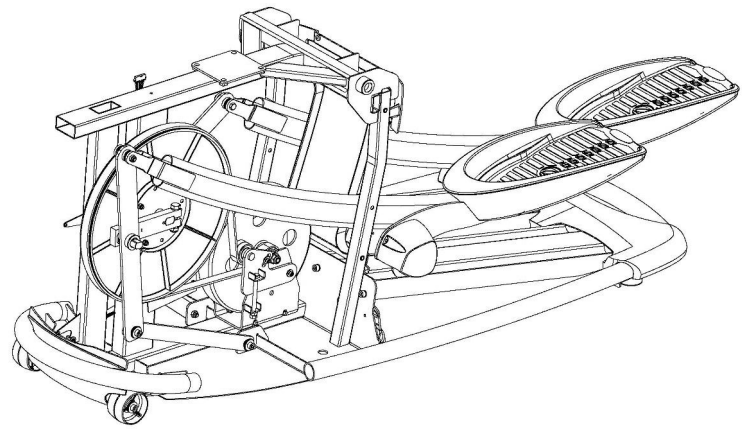
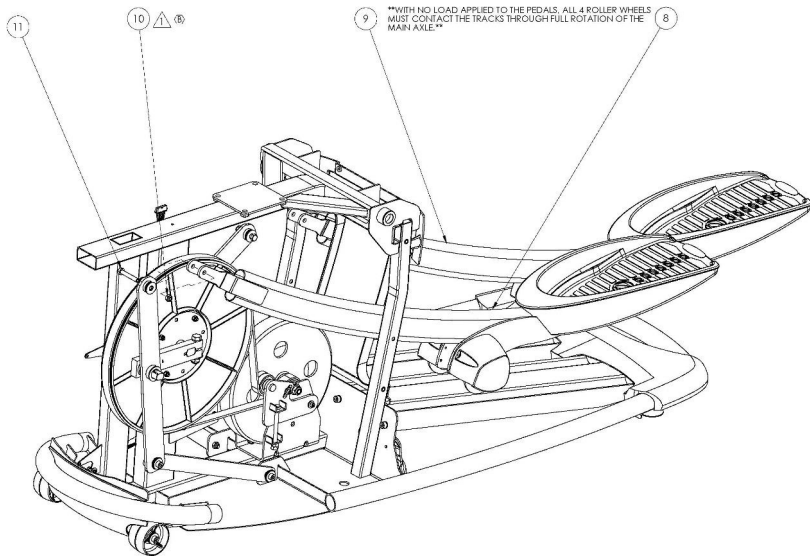


8 7 6 5 4 3 2 1

THE INFORMATION CONTAINED IN THIS DRAWING IS THE SOLE PROPERTY OF OCTANE FITNESS. ANY REPRODUCTION IN PART OR WHOLE WITHOUT THE WRITTEN PERMISSION OF OCTANE FITNESS IS PROHIBITED.

REV	DESCRIPTION	ECN #	DATE	ENG
-	See Sheet1	-	-	-



ITEM NO.	PART NUMBER	DESCRIPTION	CONFIG / QTY.
8	108015-001	ASSEMBLY, PEDAL LEVER, LEFT	1
9	108016-001	ASSEMBLY, PEDAL LEVER, RIGHT	1
10	103393-001	NUT, FHC NYLON INSERT, M8 X 1.25, CZ CLASS 10	12
11	101889-001	SCREW, M8 X 1.25 X 50 FHCS, 8.8 ST, CZ	2

- NOTES:
- ▲ TORQUE FASTENER TO 23 N-M (17 FT-LBS)
 - ▲ TORQUE FASTENER TO 45 N-M (33 FT-LBS)
 - ▲ TORQUE FASTENER TO 75-80 N-M (55-59 FT-LBS)

OCTANE FITNESS
Put Your Life
 PART DESCRIPTION: ASSEMBLY, Q35 BASE, 2013

APPROVAL: [Signature] DATE: 07/10/2013
 DRAWN BY: [Signature] DATE: 07/10/2013

DECIMALS: 3 ANGLES: 0
 DIMENSIONS ARE: AS SHOWN

108100-001