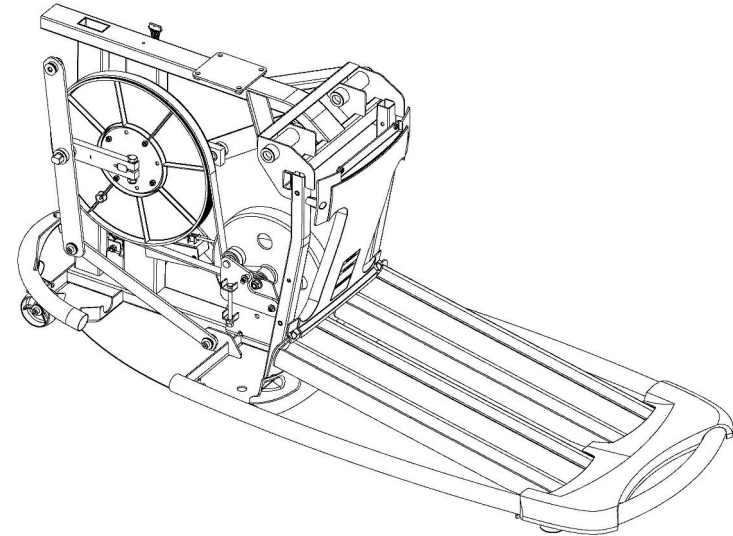
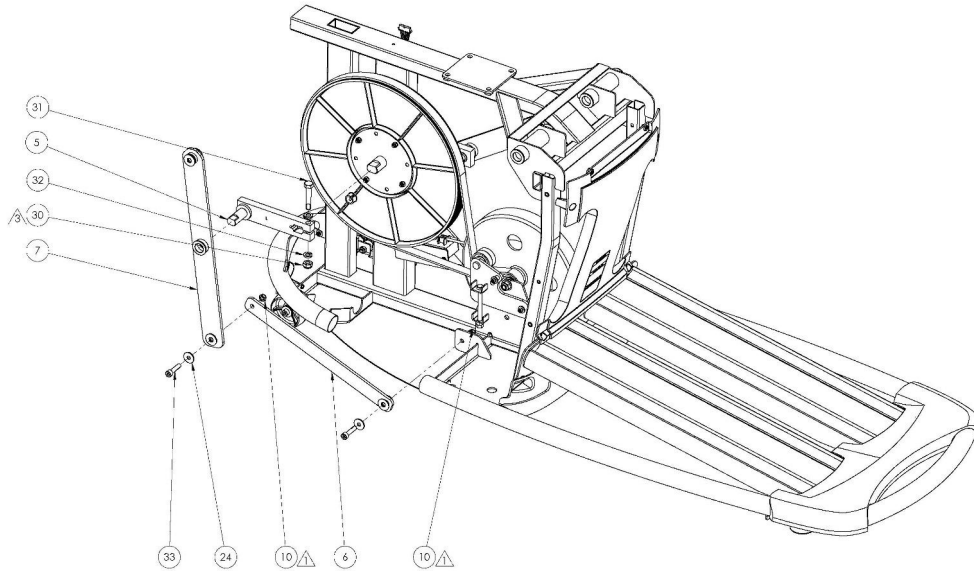


THE INFORMATION CONTAINED IN THIS DRAWING IS THE SOLE PROPERTY OF OCTANE FITNESS. ANY REPRODUCTION IN PART OR WHOLE WITHOUT THE WRITTEN PERMISSION OF OCTANE FITNESS IS PROHIBITED.

REV	DESCRIPTION	ECN #	DATE	ENG
-	See Sheet 1	-	-	-



ITEM NO.	PART NUMBER	DESCRIPTION	CONFIG / QTY.
5	103616-001	WELDMENT, CRANK ARM, LH	1
6	103690-001	ASSEMBLY, STABILITY LINK	2
7	103621-001	ASSEMBLY, 3P LINK	2
24	102644-001	WASHER, 8.25 X 24.7, STEEL, C2	8
30	103395-001	NUT, HEX NYLON INSBRT, M10 X 1.5, C2 CLASS 10	2
31	100715-001	BOLT, M10 X 1.5 X 55, HEX HEAD, OR 8.8, C2	2
32	950052-009	WASHER, LOCK STL, M10	4
33	103728-001	SCREW, M8 X 1.25 X 30.0, SHCS, BLACK, INC, GR 12.9	4

- NOTES:
- ⚠ TORQUE FASTENER TO 23 N-M (17 FT-LBS)
 - ⚠ TORQUE FASTENER TO 45 N-M (33 FT-LBS)
 - ⚠ TORQUE FASTENER TO 75-80 N-M (55-59 FT-LBS)

OCTANE FITNESS
Fun Your Life

DATE: 08/11/2014 10:10:11 AM
 DRAWN BY: J. J. JONES
 TOLERANCES ARE:
 DECIMALS ANGLES
 .05 (0.0015) .001
 .001 (0.00025) .001
 .001 (0.00025) .001

PART DESCRIPTION: ASSEMBLY, Q35 BASE, 2013

APPROVED BY: [Signature]
 PART NO: 108100-001
 REV: 1