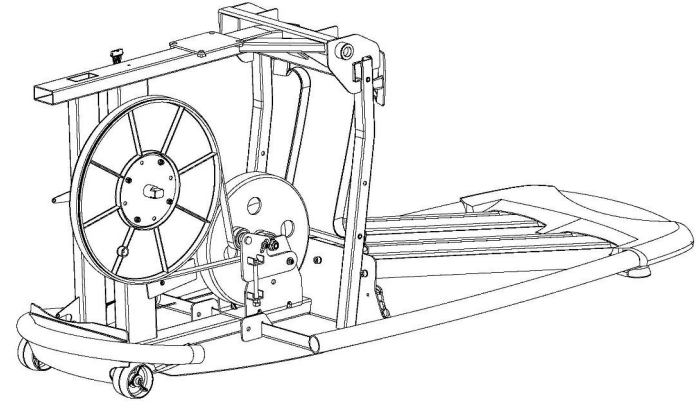
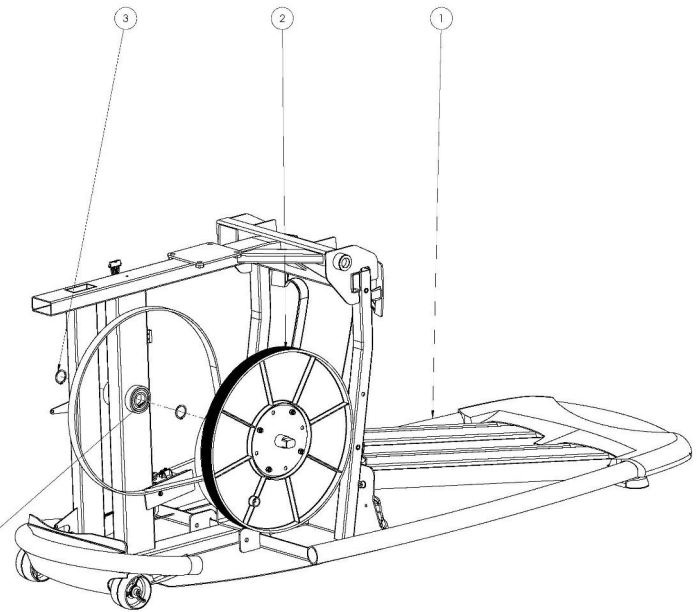


8 7 6 5 4 3 2 1

THE INFORMATION CONTAINED IN THIS DRAWING IS THE SOLE PROPERTY OF OCTANE FITNESS. ANY REPRODUCTION IN PART OR WHOLE WITHOUT THE WRITTEN PERMISSION OF OCTANE FITNESS IS PROHIBITED.

REV	DESCRIPTION	ECN #	DATE	ENG
-	See Sheet1	-	-	-



ITEM NO.	PART NUMBER	DESCRIPTION	CONFIG & QTY.
1	108035-001	ASSEMBLY, Q35 MAIN FRAME COMPONENTS	1
2	103610-001	ASSEMBLY PULLEY	1
3	900029-001	RING, RETAINING, 25MM	2

**OCTANE FITNESS**  
*Put Your Life*  
 PART DESCRIPTION  
 ASSEMBLY, Q35 BASE, 2013

APPROVED BY: [Signature] DATE: 07/10/2013  
 DRAWN BY: [Signature] DATE: 07/10/2013

108100-001