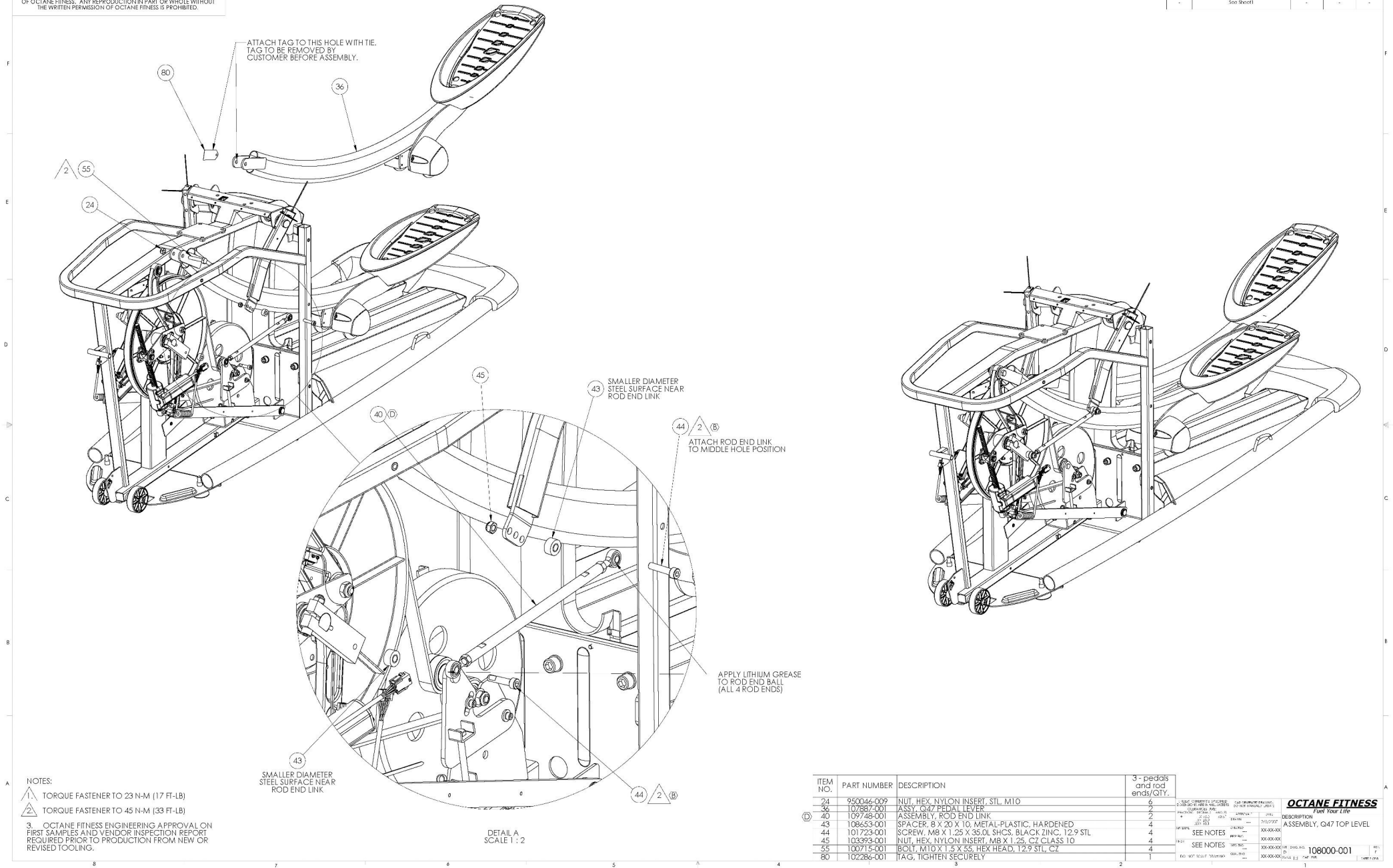


THE INFORMATION CONTAINED IN THIS DRAWING IS THE SOLE PROPERTY OF OCTANE FITNESS. ANY REPRODUCTION IN PART OR WHOLE WITHOUT THE WRITTEN PERMISSION OF OCTANE FITNESS IS PROHIBITED.

REV	DESCRIPTION	ECO #	DATE	ENG
-	See Sheet	-	-	-



- NOTES:
- 1 TORQUE FASTENER TO 23 N-M (17 FT-LB)
  - 2 TORQUE FASTENER TO 45 N-M (33 FT-LB)
  - 3 OCTANE FITNESS ENGINEERING APPROVAL ON FIRST SAMPLES AND VENDOR INSPECTION REPORT REQUIRED PRIOR TO PRODUCTION FROM NEW OR REVISED TOOLING.

DETAIL A  
SCALE 1 : 2

ITEM NO.	PART NUMBER	DESCRIPTION	3 - pedals and rod ends/QTY.
24	950046-009	NUT, HEX, NYLON INSERT, STL, M10	6
36	107397-001	ASSY: Q47 PEDAL LEVER	2
40	109748-001	ASSEMBLY, ROD END LINK	2
43	108653-001	SPACER, 8 X 20 X 10, METAL-PLASTIC, HARDENED	4
44	101723-001	SCREW, M8 X 1.25 X 35, DL SHCS, BLACK ZINC, 12-9 STL	4
45	103393-001	NUT, HEX, NYLON INSERT, M8 X 1.25, CZ CLASS 10	4
55	100715-001	BOLT, M10 X 1.5 X 55, HEX HEAD, 12-9 STL, CZ	4
80	102286-001	TAG, TIGHTEN SECURELY	1

REV	DESCRIPTION	ECO #	DATE	ENG
-	See Sheet	-	-	-

**OCTANE FITNESS**  
Fuel Your Life

DESCRIPTION: ASSEMBLY, Q47 TOP LEVEL

PART NO: 108000-001