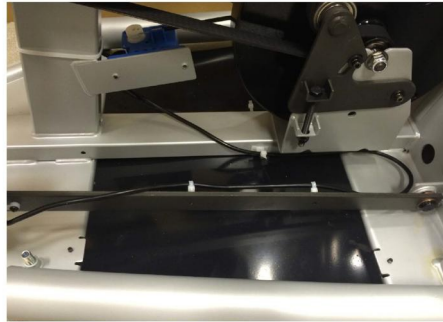
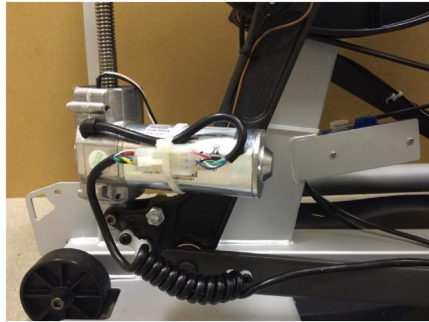
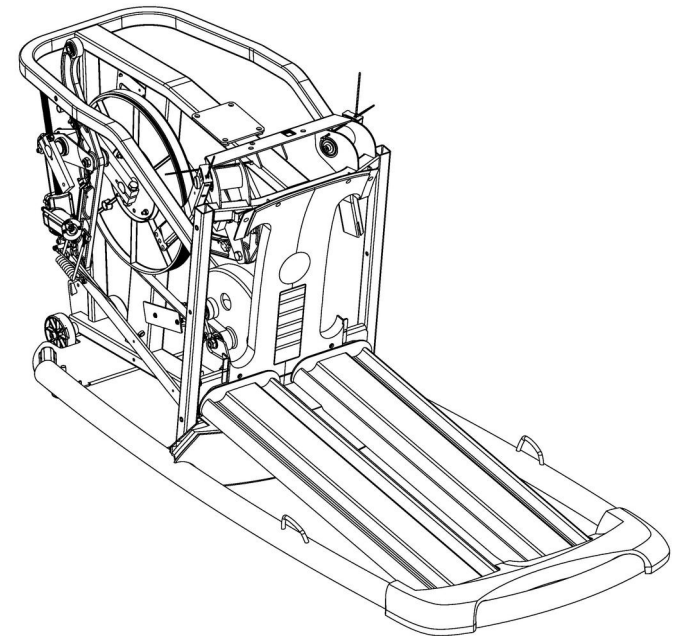
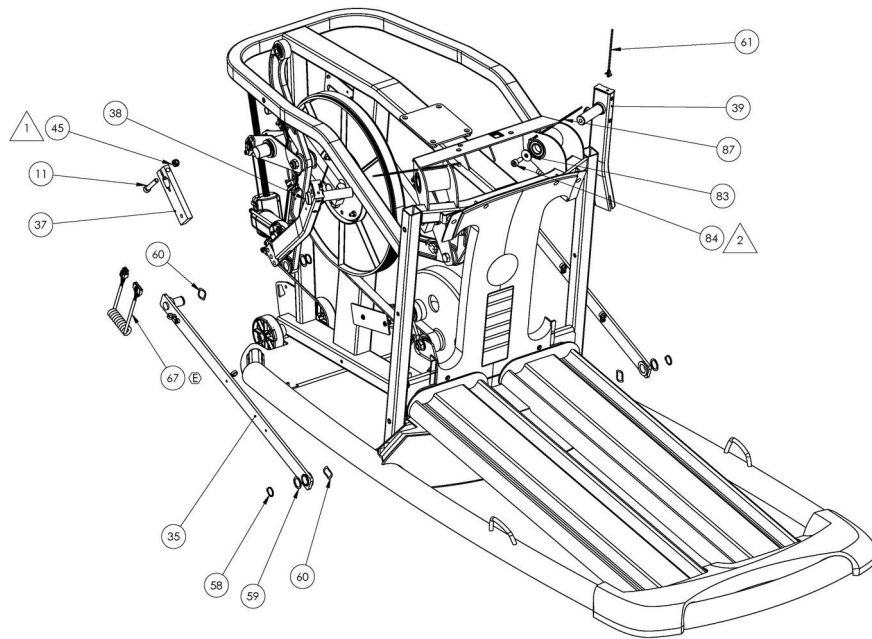


THE INFORMATION CONTAINED IN THIS DRAWING IS THE SOLE PROPERTY OF OCTANE FITNESS. ANY REPRODUCTION IN PART OR WHOLE WITHOUT THE WRITTEN PERMISSION OF OCTANE FITNESS IS PROHIBITED.

REV	DESCRIPTION	ECO #	DATE	ENG
-	See Sheet	-	-	-



CABLE ROUTING



NOTES:

- 1. TORQUE FASTENER TO 23 N-M (17 FT-LB)
- 2. TORQUE FASTENER TO 45 N-M (33 FT-LB)

3. OCTANE FITNESS ENGINEERING APPROVAL ON FIRST SAMPLES AND VENDOR INSPECTION REPORT REQUIRED PRIOR TO PRODUCTION FROM NEW OR REVISED TOOLING.

ITEM NO.	PART NUMBER	DESCRIPTION	4 - pivot shafts, stability links, and upper arm crank /QTY.
11	101296-001	SCREW, M8 X 1.25 X 45.0L SHCS, BLACK ZINC, 12.9 STL	4
35	103516-001	ASSY, STABILITY LINK, CABLE MOUNT	2
37	101660-001	CRANK, OFFSET	2
38	102861-001	WELDMENT, LEFT ROCKER	1
39	102860-001	WELDMENT, RIGHT ROCKER	1
45	103393-001	NUT, HEX, NYLON INSERT, M8 X 1.25, CZ CLASS 10	4
58	900003-001	RING, RETAINING, 18MM	4
59	900005-001	WASHER, 18.5 X 25 X 1, ST	4
60	900004-001	WASHER, WAVE, 19.3 X 26.0 X .35	4
67	109257-001	CABLE, TIMOTIONI, 6 CONDUCTOR	2
83	102454-001	WASHER, 8 X 24 X 2, STEEL, C-7	2
84	950007-002	SCREW, M8 X 1.25 X 20.0L SHCS, BLACK ZINC, STL	2
87	101394-001	TIE, CABLE, W3.6 X L185	2

PLEASE OBSERVE DIMENSIONS AND TOLERANCES AND REVISIONS TO THIS DRAWING.
DATE: 08/07/2018
BY: [Signature]
REV: 1
DESCRIPTION: ASSEMBLY, Q47 TOP LEVEL
OCTANE FITNESS
Fuel Your Life
 108000-001
 Q47 TOP LEVEL
 SEE NOTES
 DO NOT SCALE DRAWING