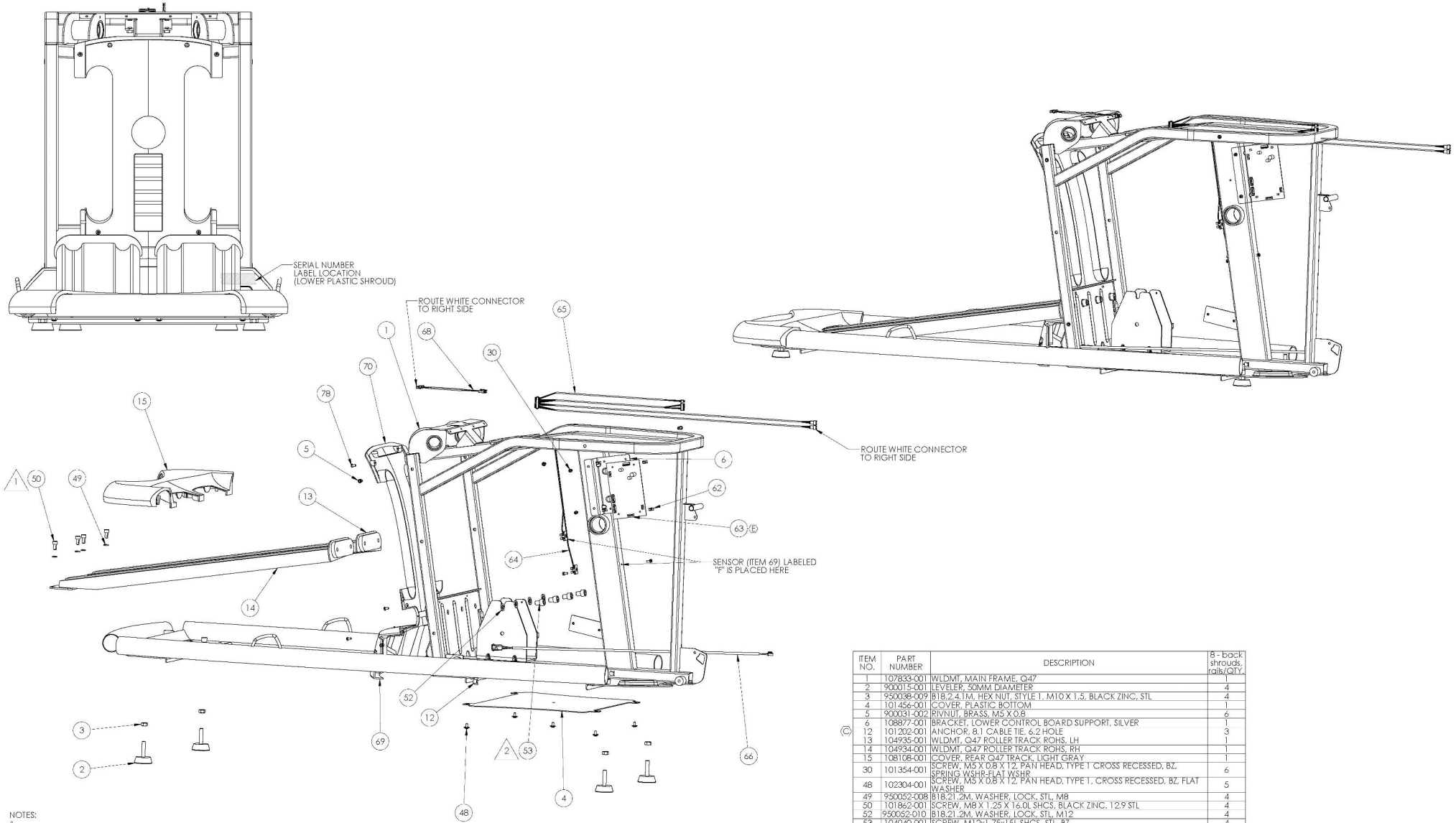


THE INFORMATION CONTAINED IN THIS DRAWING IS THE SOLE PROPERTY OF OCTANE FITNESS. ANY REPRODUCTION IN PART OR WHOLE WITHOUT THE WRITTEN PERMISSION OF OCTANE FITNESS IS PROHIBITED.

REV	DESCRIPTION	ECO #	DATE	ENG
-	See Sheet	-	-	-



- NOTES:
- 1. TORQUE FASTENER TO 23 N-M (17 FT-LB)
 - 2. TORQUE FASTENER TO 45 N-M (33 FT-LB)
 - 3. OCTANE FITNESS ENGINEERING APPROVAL ON FIRST SAMPLES AND VENDOR INSPECTION REPORT REQUIRED PRIOR TO PRODUCTION FROM NEW OR REVISED TOOLING.

ITEM NO.	PART NUMBER	DESCRIPTION	QTY
1	107833-001	WLDMT, MAIN FRAME, Q47	1
2	900015-001	LEVELER, 50MM DIAMETER	4
3	950038-009	B18.2, 2.1M, HEX NUT, STYLE 1, M10 X 1.5, BLACK ZINC, STL	4
4	101456-001	COVER, PLASTIC, BOTTOM	1
5	900031-002	RIVNUT, BRASS, M5 X 0.8	6
6	108877-001	BRACKET, LOWER CONTROL BOARD SUPPORT, SILVER	1
12	101202-001	ANCHOR, 8.1 CABLE TIE, 6.2 HOLE	3
13	104935-001	WLDMT, Q47 ROLLER TRACK ROHS, LH	1
14	104934-001	WLDMT, Q47 ROLLER TRACK ROHS, RH	1
15	108108-001	COVER, REAR Q47 TRACK, LIGHT GRAY	1
30	101354-001	SCREW, M5 X 0.8 X 12, PAN HEAD, TYPE 1, CROSS RECESSED, BZ, SPRING WKR FLAT WSR	6
48	102304-001	SCREW, M5 X 0.8 X 12, PAN HEAD, TYPE 1, CROSS RECESSED, BZ, FLAT WASHER	5
49	950052-008	B18.21.2M, WASHER, LOCK, STL, M8	4
50	101862-001	SCREW, M8 X 1.25 X 14.0L SHCS, BLACK ZINC, 12.9 STL	4
52	950052-010	B18.21.2M, WASHER, LOCK, STL, M12	4
53	104040-001	SCREW, M12 X 1.75 X 15L SHCS, STL, BZ	4
62	102533-001	STAND-OFF, BOARD, 4.8MM	4
63	110001-001	CIRCUIT BOARD ASSY, QUIET DRIVE	1
64	102026-001	SENSOR, HALLEFFECT, Q47	1
65	107927-001	CABLE ASSEMBLY, BASE, Q47	1
66	101930-001	CABLE, OUTPUT, POWER SUPPLY, Q47	1
68	105609-001	CABLE ASSY, BASE, MOVING HR, LONG	1
69	101848-001	SHROUD, LOWER REAR	1
70	108598-001	ASSEMBLY, REAR UPPER SHROUD	1
78	100602-001	SCREW, M5 X 0.8 X 10, PAN HEAD, TYPE 1, CROSS RECESSED, BZ	6

REVISIONS

REV	DESCRIPTION	DATE	BY	CHKD
1	ASSEMBLY, Q47 TOP LEVEL	10/20/2020	XXX-XXX-XXX	XXX-XXX-XXX

OCTANE FITNESS
Fuel Your Life

DESCRIPTION: ASSEMBLY, Q47 TOP LEVEL

SEE NOTES

108000-001