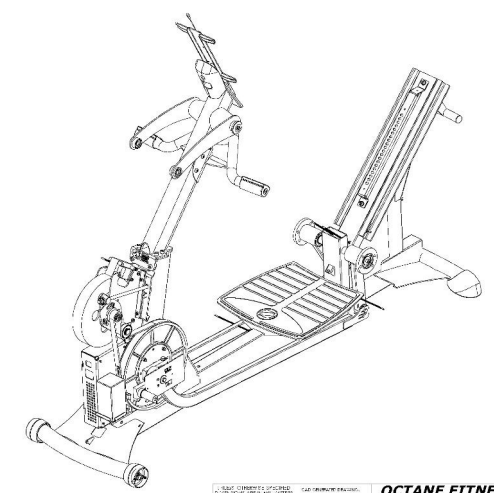
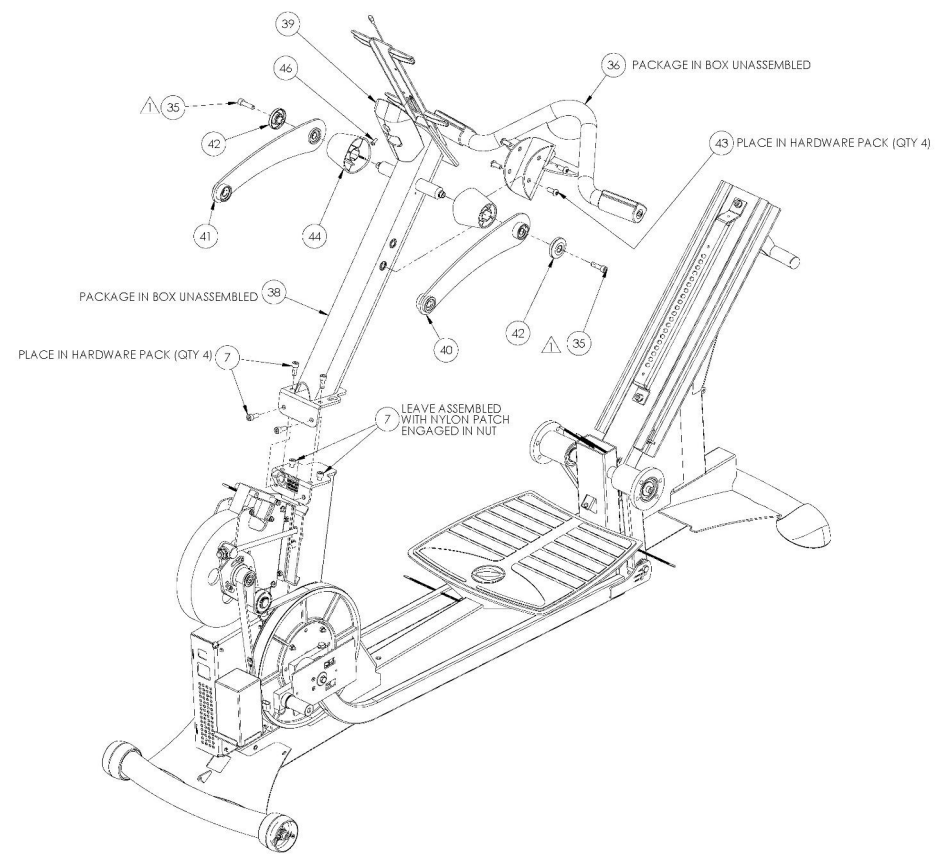


8 THE INFORMATION CONTAINED IN THIS DRAWING IS THE SOLE PROPERTY OF OCTANE FITNESS. ANY REPRODUCTION IN PART OR WHOLE WITHOUT THE WRITTEN PERMISSION OF OCTANE FITNESS IS PROHIBITED.

| REV | DESCRIPTION | ECO # | DATE | ENG |
|-----|-------------|-------|------|-----|
| -   | See Sheet 1 | -     | -    | -   |



| ITEM NO. | PART NUMBER | DESCRIPTION  | SHEET #/QTY. |
|----------|-------------|--|--------------|
| 7        | 101295-001  | SCREW, M6 X 1.25 X 20.0L SHCS, BLACK ZINC, 12.9 STL                    | 6            |
| 35       | 105717-001  | SCREW, M6 X 1.25 X 30.0L SHCS, STAINLESS STEEL                         | 6            |
| 36       | 110886-001  | ASSEMBLY, FOOT REST  | 1            |
| 38       | 110866-001  | ASSEMBLY, MAST   | 1            |
| 39       | 111255-001  | ASSEMBLY, COVER CONSOLE XRIDE  | 1            |
| 40       | 109208-001  | ASSEMBLY, UPPER LINK, LEFT   | 1            |
| 41       | 109210-001  | ASSEMBLY, UPPER LINK, RIGHT  | 1            |
| 42       | 109212-001  | CAP, UPPER LINK  | 4            |
| 43       | 101577-001  | SCREW, M6 X 1.25 X 20, SHCS, STAINLESS STEEL                           | 4            |
| 44       | 109215-001  | COVER, AXLE MAST   | 2            |
| 46       | 100780-001  | SCREW, M6 X 0.8 X 12, PAN HEAD, TYPE 1 CROSS RECESSED, STAINLESS STEEL | 38           |
| 49       | 111750-001  | ASSY, PAN DECAL LEFT   | 1            |
| 50       | 111751-001  | ASSY, PAN DECAL RIGHT  | 1            |

NOTES:

- TORQUE FASTENER TO 15 N·M (11 FT-LB).
- OCTANE FITNESS ENGINEERING APPROVAL ON FIRST SAMPLES AND VENDOR INSPECTION REPORT REQUIRED PRIOR TO PRODUCTION FROM NEW OR REVISED TOOLING.
- CAD GENERATED MODEL. ANY DIMENSIONS NOT ON THIS PRINT SHOULD BE EXTRACTED FROM THE CAD MODEL. CAD MODEL IS DRIVING DOCUMENT.
- SUPPLIER MUST SUPPLY A DECLARATION OF COMPLIANCE WITH EUROPEAN COUNCIL DIRECTIVE 2002/95/EC, ON THE RESTRICTION OF USE OF CERTAIN HAZARDOUS SUBSTANCES (RoHS).

**OCTANE FITNESS**  
*Full Year Life*  
 DESCRIPTION: X6000 BASE 2017  
 SEE NOTES  
 111300-001