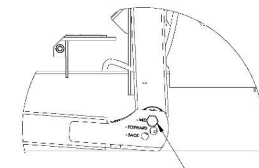
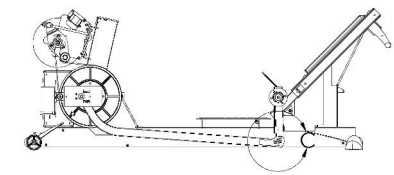
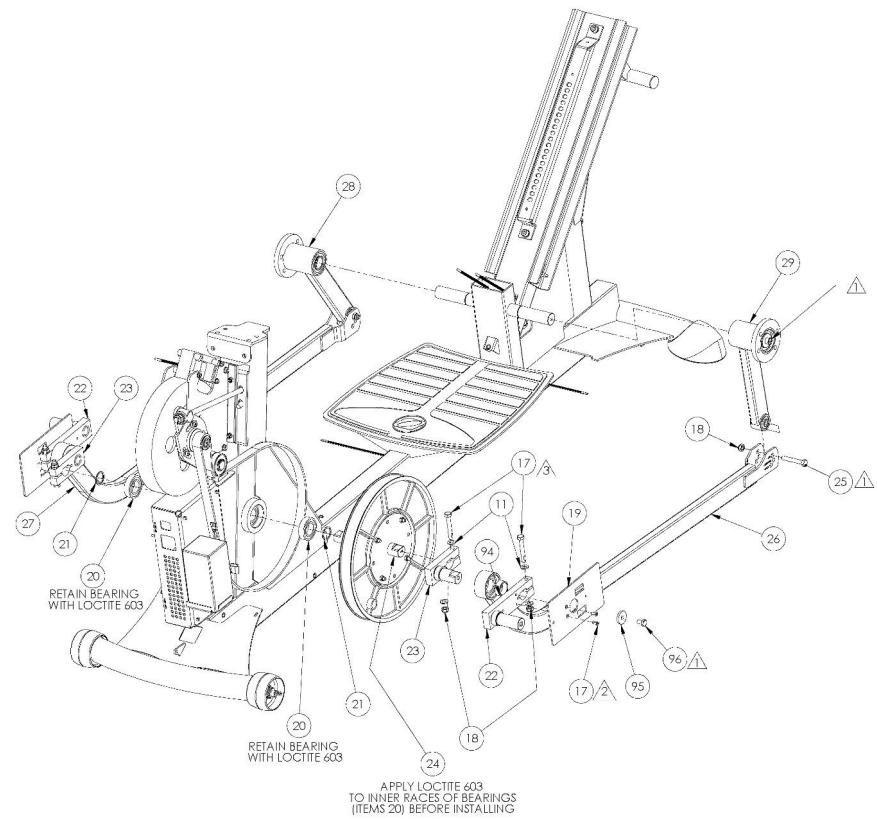
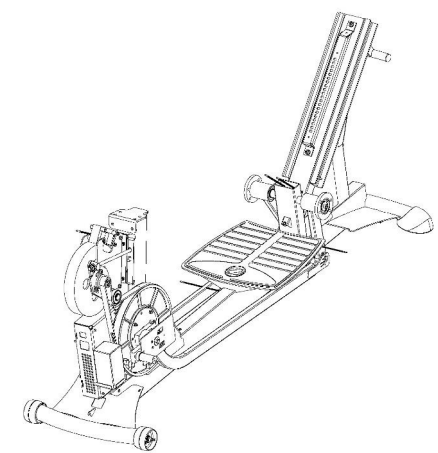


8  
 THE INFORMATION CONTAINED IN THIS DRAWING IS THE SOLE PROPERTY OF OCTANE FITNESS. ANY REPRODUCTION IN PART OR WHOLE WITHOUT THE WRITTEN PERMISSION OF OCTANE FITNESS IS PROHIBITED.

REV	DESCRIPTION	ECO #	DATE	ENG
-	See Sheet	-	-	-



ASSEMBLY IN MID (MIDDLE) POSITION  
 DETAIL C  
 SCALE 1 : 3



ITEM NO.	PART NUMBER	DESCRIPTION	SHEET #/QTY.
11	101029-001	WASHER, M6, 8.3 X 1.6 X 1.6, ST, BZ	10
17	102231-001	SCREW, M5 X 0.8 X 12, FLAT HEAD, TYPE 1 CROSS RECESSED, BZ	4
17	107005-001	SCREW, M6 X 1.25 X 55 HHCS, 12.9 ST, C1	4
18	103893-001	NUT, HEX, NYLON INSERT, M6 X 1.25, C1 CLASS 10	6
19	102203-001	PLATE, CRANK COVER	2
20	101446-001	BEARING, BALL, 6005, C2	3
21	900009-001	RING, RETAINING, 25MM	2
22	111726-001	WLDMT, LARGE CRANK ARM	2
23	111727-001	WLDMT, SMALL CRANK ARM	2
24	111730-001	ASSEMBLY, CRANK SHAFT	1
25	103256-001	SCREW, M6 X 1.25 X 52 HHCS, 8.8 ST, C2	2
26	102753-001	ASSEMBLY, ARM LINK, LHT	1
27	102752-001	ASSEMBLY, ARM LINK, RHT	1
28	102758-001	ASSEMBLY, ROCKER RIGHT	1
29	102757-001	ASSEMBLY, ROCKER LEFT	1
49	111750-001	ASY, PAN DECAL LEFT	1
50	111751-001	ASY, PAN DECAL RIGHT	1
94	104738-001	SPACER, CRANK	2
95	104757-001	WASHER, THICK 28x4x4mm	2
96	102251-001	SCREW, M6 X 1.25 X 12 HCS, 8.8 STL, C2	2

NOTES:

- 1. TORQUE FASTENER TO 23 N·M (17 FT-LB).
- 2. TORQUE FASTENER TO 3 - 4 N·M (26 - 35 IN-LB).
- 3. TORQUE FASTENER TO 40 N·M (29 FT-LB).
- 4. RIGHT SIDE ROCKER AND LINK IS ASSEMBLED IN THE SAME MANNER AS THE LEFT.
- 5. OCTANE FITNESS ENGINEERING APPROVAL ON FIRST SAMPLES AND VENDOR INSPECTION REPORT REQUIRED PRIOR TO PRODUCTION FROM NEW OR REVISED TOOLING.
- 6. CAD GENERATED MODEL. ANY DIMENSIONS NOT ON THIS PRINT SHOULD BE EXTRACTED FROM THE CAD MODEL. CAD MODEL IS DRIVING DOCUMENT.
- 7. SUPPLIER MUST SUPPLY A DECLARATION OF COMPLIANCE WITH EUROPEAN COUNCIL DIRECTIVE 2002/95/EC, ON THE RESTRICTION OF USE OF CERTAIN HAZARDOUS SUBSTANCES (RoHS).

REVISIONS DATE BY CHECKED BY DATE BY	PART NUMBER 111300-001 DESCRIPTION X R6000 BASE 2017	<b>OCTANE FITNESS</b> Full Year Line DESCRIPTION X R6000 BASE 2017 SEE NOTES SEE NOTES
111300-001 111300-001 111300-001 111300-001 111300-001	111300-001 111300-001 111300-001 111300-001 111300-001	111300-001 111300-001 111300-001 111300-001 111300-001