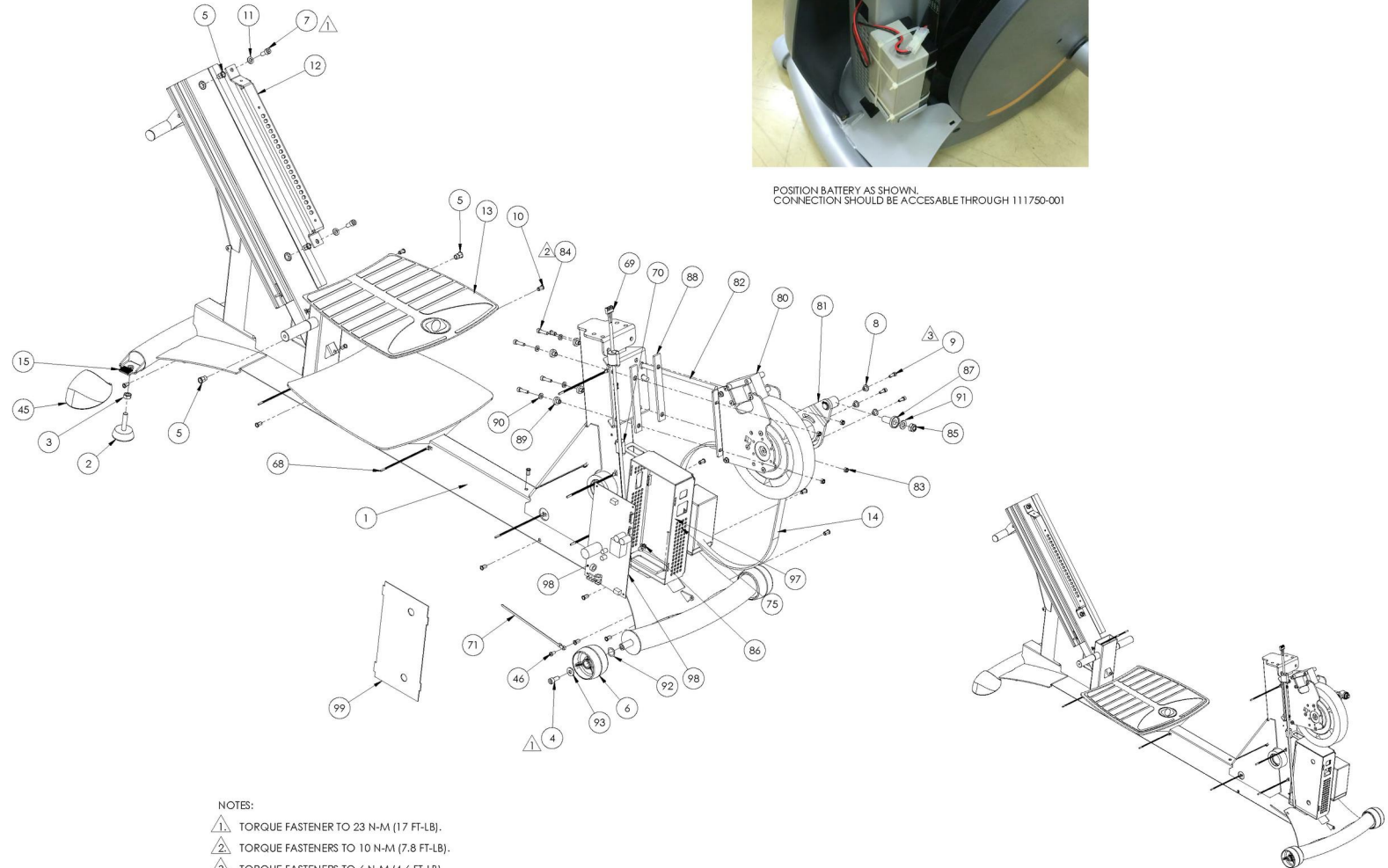


THE INFORMATION CONTAINED IN THIS DRAWING IS THE SOLE PROPERTY OF OCTANE FITNESS. ANY REPRODUCTION IN PART OR WHOLE WITHOUT THE WRITTEN PERMISSION OF OCTANE FITNESS IS PROHIBITED.

REV	DESCRIPTION	ECO #	DATE	ENG
-	See Sheet1	-	-	-

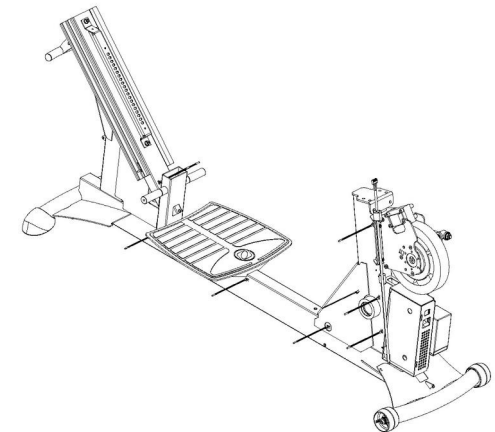


POSITION BATTERY AS SHOWN.
CONNECTION SHOULD BE ACCESSABLE THROUGH 111750-001



NOTES:

- 1. TORQUE FASTENER TO 23 N-M (17 FT-LB).
- 2. TORQUE FASTENERS TO 10 N-M (7.8 FT-LB).
- 3. TORQUE FASTENERS TO 6 N-M (4.6 FT-LB).
- 4. OCTANE FITNESS ENGINEERING APPROVAL ON FIRST SAMPLES AND VENDOR INSPECTION REPORT REQUIRED PRIOR TO PRODUCTION FROM NEW OR REVISED TOOLING.
- 5. CAD GENERATED MODEL. ANY DIMENSIONS NOT ON THIS PRINT SHOULD BE EXTRACTED FROM THE CAD MODEL. CAD MODEL IS DRIVING DOCUMENT.
- 6. SUPPLIER MUST SUPPLY A DECLARATION OF COMPLIANCE WITH EUROPEAN COUNCIL DIRECTIVE 2002/95/EC, ON THE RESTRICTION OF USE OF CERTAIN HAZARDOUS SUBSTANCES (RoHS).



ITEM NO.	PART NUMBER	DESCRIPTION	SHEET #/TOTL
1	110880-001	WLDMT, FRAME, JR6000	1
2	900015-001	LEVELER, 30MM DIAMETER	2
3	950038-009	B18.24, IM, HEX NUT, STYLE 1, M10 X 1.5, BLACK ZINC, STL	2
4	100210-001	SCREW, M6 X 1.25 X 20.0L SHCS, STAINLESS STEEL	2
5	101576-001	RV NUT, BRASS, M6 X 1.25	4
6	109017-001	ROLLER, TRANSPORT, LIGHT GRAY	2
7	101295-001	SCREW, M6 X 1.25 X 20.0L SHCS, BLACK ZINC, 12.9 STL	2
8	100457-001	SPACER, FLANGE TENSICRNER	3
9	101297-001	SCREW, M5 X 0.8 X 16.0L SHCS, BLACK ZINC, 12.9 STL, SPRING WASHER	3
10	900031-002	RV NUT, BRASS, M5 X 0.8	14
11	101029-001	WASHER, M6, 6.3 X 16.0 X 1.6, ST, BZ	10
12	100155-001	RAIL, SEAT SLIDE	2
13	102262-001	TREAD, PLATFORM	1
14	100433-001	BELT, DRIVE, 8 RIB, 490J	1
15	101030-001	DUAL LOCK, 25 X 20 - 40D	2
19	102203-001	PLATE, CRANK COVER	2
22	111726-001	WLDMT, LARGE CRANK ARM	2
23	111727-001	WLDMT, SMALL CRANK ARM	2
24	111730-001	ASSEMBLY, CRANK SHAFT	1
45	109228-001	ASSEMBLY, END CAP	2
46	100780-001	SCREW, M5 X 0.8 X 12, PAN HEAD, TYPE 1 CROSS RECESSED, STAINLESS STEEL	38
49	111750-001	ASX, PAN DECAL LEFT	1
50	111751-001	ASX, PAN DECAL RIGHT	1
68	100432-001	TIE, CABLE, PUSH MOUNT, W4.8 X L170	10
69	105140-001	CABLE ASSY, BRAKE GEN PWR, FERRITE	1
70	105141-001	CABLE ASSY, BRAKE GEN INDUCT, FERRITE	1
71	101416-001	CABLE TIE, SCREW MOUNT, M5	1
75	110512-001	CABLE ASSEMBLY, BATTERY TO BOARD	1
80	100930-001	BRAKE GENERATOR, 630Z	1
81	100531-001	ASSEMBLY, TENSICRNER, INSULATED	1
82	102794-001	BOLT, 10MM J-HOOK	1
83	950046-007	NUT, HEX, NYLON INSERT, STL, M6	4
84	102596-001	SCREW, M6 X 1.0 X 25, SHCS, BZ	4
85	950046-009	NUT, HEX, NYLON INSERT, STL, M10	1
86	102533-001	STAND-OFF, BOARD, 4.8MM	4
87	100533-001	INSULATOR, J-HOOK BOLT	1
88	103428-001	INSULATOR, BRAKE BASE	2
89	103534-001	INSULATOR, BRAKE BOLT	4
90	950042-007	B18.22M, WASHER, FLAIN, STL, M6	4
91	950042-009	B18.22M, WASHER, FLAIN, STL, M10	1
92	101920-001	WASHER, WAVE, 16.7 X 22.5 X .3	2
93	104002-001	WASHER, M6, 6.3 X 20 X 2, STAINLESS STEEL	2
97	110511-001	BATTERY, SEALED LEAD RECHARGABLE, 12V	1
98	111317-001	CIRCUIT BOARD ASSY, POWER AHD C CONTROL BOARD, JR6000	1
99	111157-001	COVER, PAC BOARD, XT-3700	1

DESIGNED (DATE)	DESIGNED BY	CHECKED (DATE)	CHECKED BY	APPROVED (DATE)	APPROVED BY	DESCRIPTION
03/02/17	302 017	03/02/17	302 017	03/02/17	302 017	XR6000 BASE 2017
SEE NOTES						
SEE NOTES						
DATE	REV	DESCRIPTION	BY	CHKD	APP'D	QTY
03/02/17	1	111300-001				