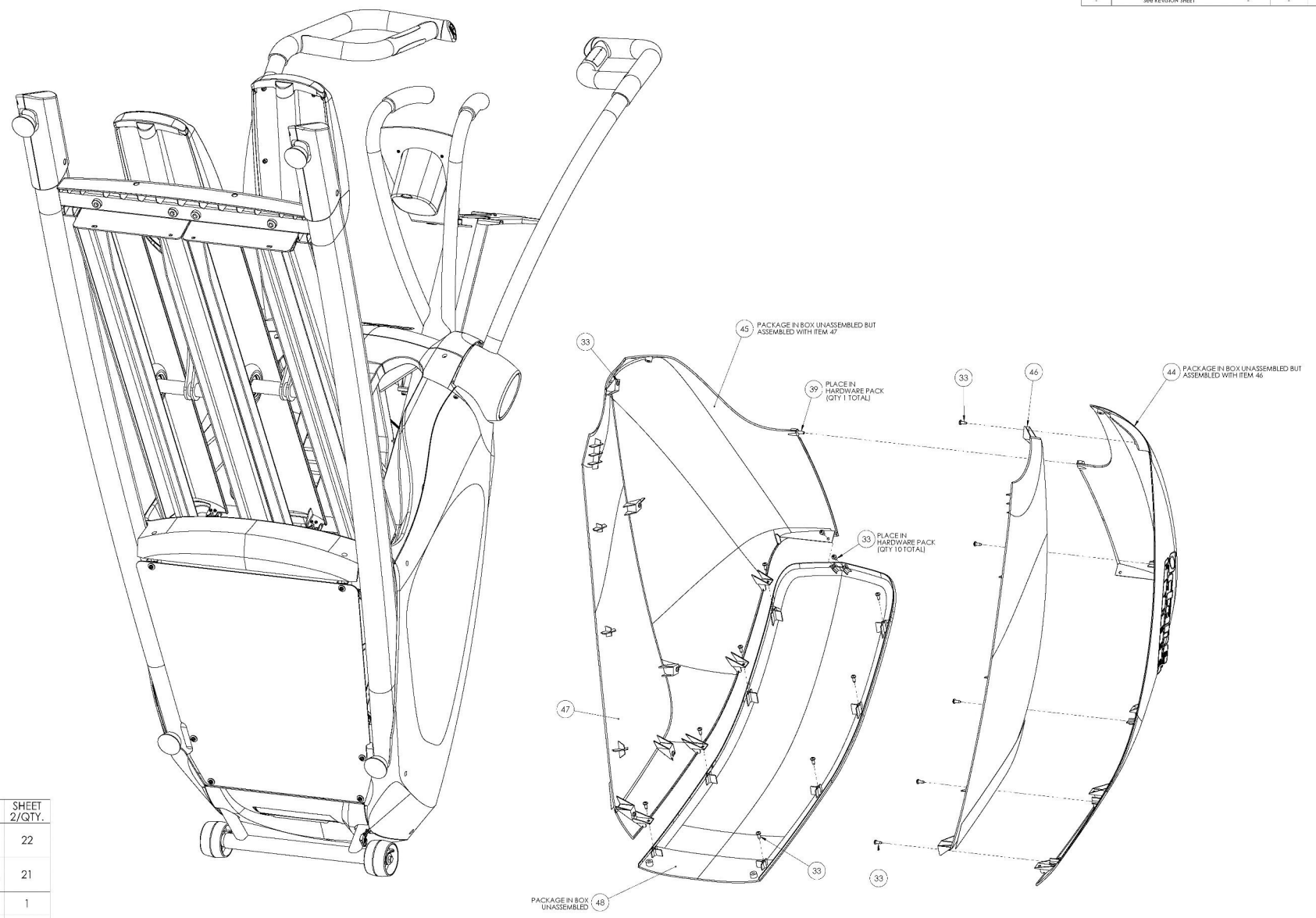


8  
 THE INFORMATION CONTAINED IN THIS DRAWING IS THE SOLE PROPERTY OF OCTANE FITNESS. ANY REPRODUCTION IN PART OR WHOLE WITHOUT THE WRITTEN PERMISSION OF OCTANE FITNESS IS PROHIBITED.

REV	DESCRIPTION	ECN #	DATE	ENG
-	See REVISION SHEET	-	-	-



ITEM NO.	PART NUMBER	DESCRIPTION	SHEET 2/QTY.
33	100429-001	SCREW, M4.8 X 1.6 X 13 TYPE B, TYPE 1 CROSS RECESS PAN HEAD, ST, BZ	22
39	102134-001	SCREW, M5 X 0.8 X 18, PAN HEAD, TYPE 1 CROSS RECESSED, SS	21
44	110367-001	ASSEMBLY, TOP SHROUD LABEL RIGHT	1
45	110368-001	ASSEMBLY, TOP SHROUD LABEL LEFT	1
46	111308-001	ASSY, ACCENT PANEL LABEL, RH	1
47	111311-001	ASSY, ACCENT PANEL LABEL, LH	1
48	110371-001	ASSEMBLY, FRONT SHROUD LABEL	1

NOTES:  
 1. OCTANE FITNESS ENGINEERING APPROVAL ON FIRST SAMPLE AND VENDOR INSPECTION REPORT REQUIRED PRIOR TO PRODUCTION FROM NEW OR REVISED TOOLING.  
 2. CAD GENERATED MODEL. ANY DIMENSIONS NOT ON THIS PRINT SHOULD BE EXTRACTED FROM THE CAD MODEL.  
 3. SUPPLIER MUST SUPPLY A DECLARATION OF COMPLIANCE WITH EUROPEAN COUNCIL DIRECTIVE 2011/65/EU, ON THE RESTRICTION OF USE OF CERTAIN HAZARDOUS SUBSTANCES (ROHS).

**OCTANE FITNESS**  
*Fun Your Life*

TOLERANCES ARE:  
 DIMENALS ANGLES  
 .05 (.125) .005 (.0125)  
 .005 (.0125) .005 (.0125)

APPROVED BY: [Signature] DATE: 10/20/2023  
 DRAWN BY: [Signature] DATE: 10/20/2023

PART DESCRIPTION: X1-4700 BASE  
 109000-001