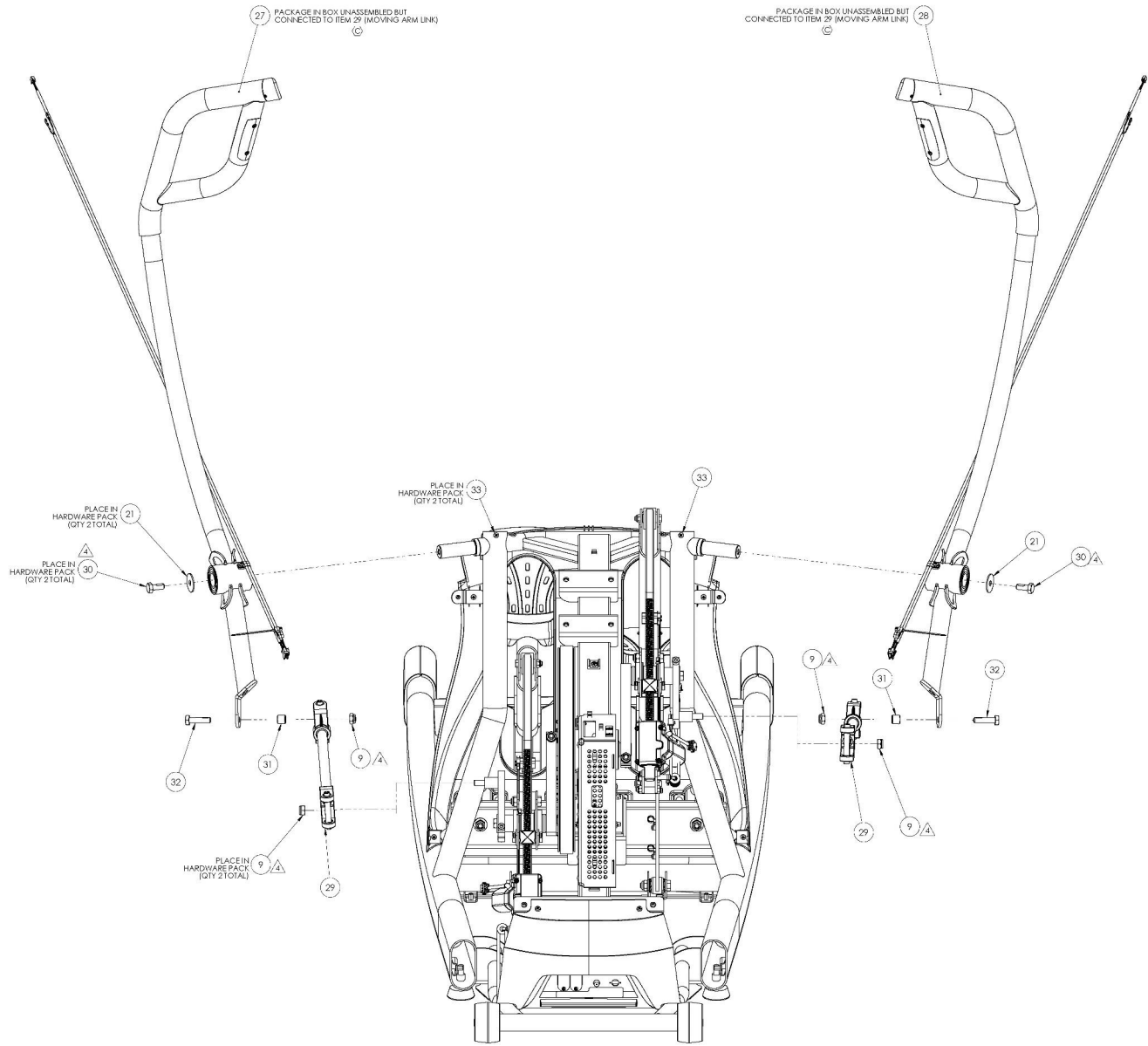


8 THE INFORMATION CONTAINED IN THIS DRAWING IS THE SOLE PROPERTY OF OCTANE FITNESS. ANY REPRODUCTION IN PART OR WHOLE WITHOUT THE WRITTEN PERMISSION OF OCTANE FITNESS IS PROHIBITED.

REV	DESCRIPTION	ECN #	DATE	ENG
-	See REVISION SHEET	-	-	-



- NOTES:
1. TORQUE FASTENER TO 6 N-M (4 FT-LBS)
  2. TORQUE FASTENER TO 12 N-M (9 FT-LBS)
  3. TORQUE FASTENER TO 23 N-M (17 FT-LBS)
  4. TORQUE FASTENER TO 45 N-M (33 FT-LBS)
  5. TORQUE FASTENER TO 60 N-M (44 FT-LBS)
  6. TORQUE FASTENER TO 75 N-M (55 FT-LBS)
  7. TORQUE FASTENER TO 102 N-M (75 FT-LBS)
  8. OCTANE FITNESS ENGINEERING APPROVAL ON FIRST SAMPLE AND VENDOR INSPECTION REPORT REQUIRED PRIOR TO PRODUCTION FROM NEW OR REVISED TOOLING.
  9. CAD GENERATED MODEL. ANY DIMENSIONS NOT ON THIS PRINT SHOULD BE EXTRACTED FROM THE CAD MODEL.
  10. SUPPLIER MUST SUPPLY A DECLARATION OF COMPLIANCE WITH EUROPEAN COUNCIL DIRECTIVE 2011/65/EU, ON THE RESTRICTION OF USE OF CERTAIN HAZARDOUS SUBSTANCES (RoHS).

ITEM NO.	PART NUMBER	DESCRIPTION	SHEET 4/QTY.
9	103395-001	NUT, HEX, NYLON INSERT, M10 X 1.5, CZ CLASS 10	10
21	108512-001	WASHER, 10 X 35 X 2, STEEL, YZ	4
27	108430-001	ASSY, MULTI-GRIP ARM, RH	1
28	108434-001	ASSY, MULTI-GRIP ARM, LH	1
29	108942-001	ASSY, MOVING ARM LINK	2
30	106618-001	BOLT, M10 X 1.5 X 25, HEX HEAD, CLASS 10.9	2
31	109684-001	SPACER, BEARING	2
32	109685-001	BOLT, M10 X 1.5 X 40, HEX HEAD, CLASS 10.9	2
33	100429-001	SCREW, M4.8 X 1.6 X 13 TYPE B, TYPE I1 CROSS RECESS PAN HEAD, ST, BZ	22

**OCTANE FITNESS**  
*Fun Your Life*

TOLERANCES ARE:  
 DIMINALS ANGLES  
 DECIMALS ANGLES  
 DECIMALS ANGLES  
 DECIMALS ANGLES

PART DESCRIPTION: X1-4700 BASE

APPROVED BY: [Signature] DATE: 10/20/2021  
 DRAWN BY: [Signature] DATE: 10/20/2021

REV: 109000-001