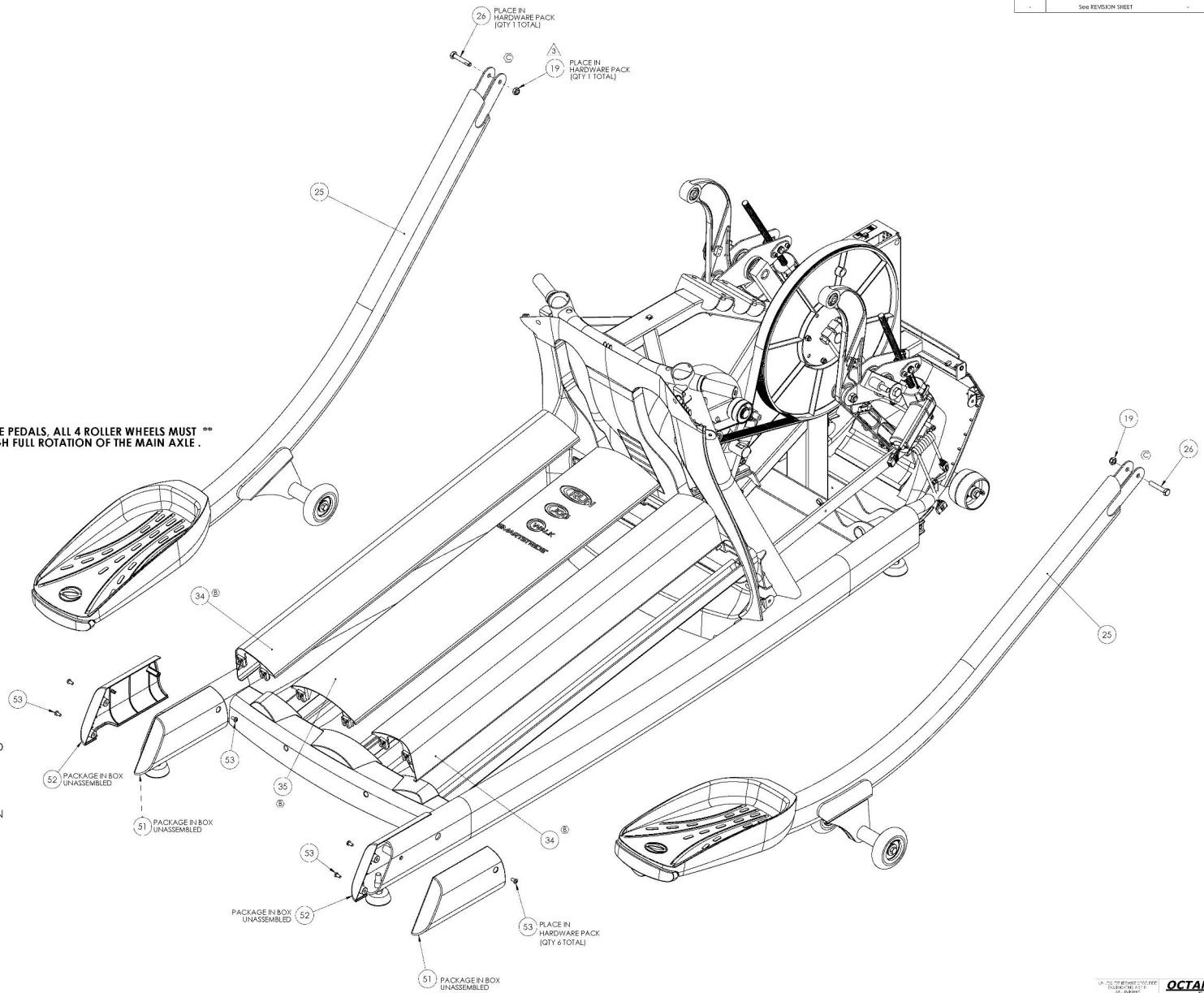


8 THE INFORMATION CONTAINED IN THIS DRAWING IS THE SOLE PROPERTY OF OCTANE FITNESS. ANY REPRODUCTION IN PART OR WHOLE WITHOUT THE WRITTEN PERMISSION OF OCTANE FITNESS IS PROHIBITED.

REV	DESCRIPTION	ECN #	DATE	ENG
-	See REVISION SHEET	-	-	-

*** WITH NO LOAD APPLIED TO THE PEDALS, ALL 4 ROLLER WHEELS MUST CONTACT THE TRACKS THROUGH FULL ROTATION OF THE MAIN AXLE. ***



- NOTES:
1. TORQUE FASTENER TO 6 N-M (4 FT-LBS)
 2. TORQUE FASTENER TO 12 N-M (9 FT-LBS)
 3. TORQUE FASTENER TO 23 N-M (17 FT-LBS)
 4. TORQUE FASTENER TO 45 N-M (33 FT-LBS)
 5. TORQUE FASTENER TO 60 N-M (44 FT-LBS)
 6. TORQUE FASTENER TO 75 N-M (55 FT-LBS)
 7. TORQUE FASTENER TO 102 N-M (75 FT-LBS)
 8. OCTANE FITNESS ENGINEERING APPROVAL ON FIRST SAMPLE AND VENDOR INSPECTION REPORT REQUIRED PRIOR TO PRODUCTION FROM NEW OR REVISED TOOLING.
 9. CAD GENERATED MODEL. ANY DIMENSIONS NOT ON THIS PRINT SHOULD BE EXTRACTED FROM THE CAD MODEL.
 10. SUPPLIER MUST SUPPLY A DECLARATION OF COMPLIANCE WITH EUROPEAN COUNCIL DIRECTIVE 2011/65/EU, ON THE RESTRICTION OF USE OF CERTAIN HAZARDOUS SUBSTANCES (RoHS).

ITEM NO.	PART NUMBER	DESCRIPTION	SHEET 5/QTY.
19	103393-001	NUT, HEX. NYLON INSERT, M8 X 1.25, CZ CLASS 10	4
25	108872-001	ASSY, TRACKS PEDAL LEVER	2
26	105709-001	BOLT, M8 X 1.25 X 45 HCS, 12.9 STL, CZ	2
34	109572-001	ASSEMBLY, TRACK COVER	2
35	109575-001	ASSEMBLY, TRACK COVER . CENTER	1
51	110380-001	ASSEMBLY, FRAME END RH DECAL	2
52	110379-001	ASSEMBLY, FRAME END LH DECAL	2
53	102135-001	SCREW, M5 X 0.8 X 10, PAN HEAD, TYPE 1 CROSS RECESSED, SS	6

OCTANE FITNESS
Turn Your Life

TOLERANCES ARE: PART DESCRIPTION: XI-4700 BASE

DECIMALS ANGLES: 0.001 0.125

APPROVED BY: PART NO. 109000-001

DATE: 5/20/2015