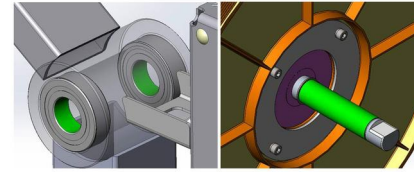


THE INFORMATION CONTAINED IN THIS DRAWING IS THE SOLE PROPERTY OF OCTANE FITNESS. ANY REPRODUCTION IN PART OR WHOLE WITHOUT THE WRITTEN PERMISSION OF OCTANE FITNESS IS PROHIBITED.

REV	DESCRIPTION	ECN #	DATE	ENG
-	See REVISION SHEET	-	-	-

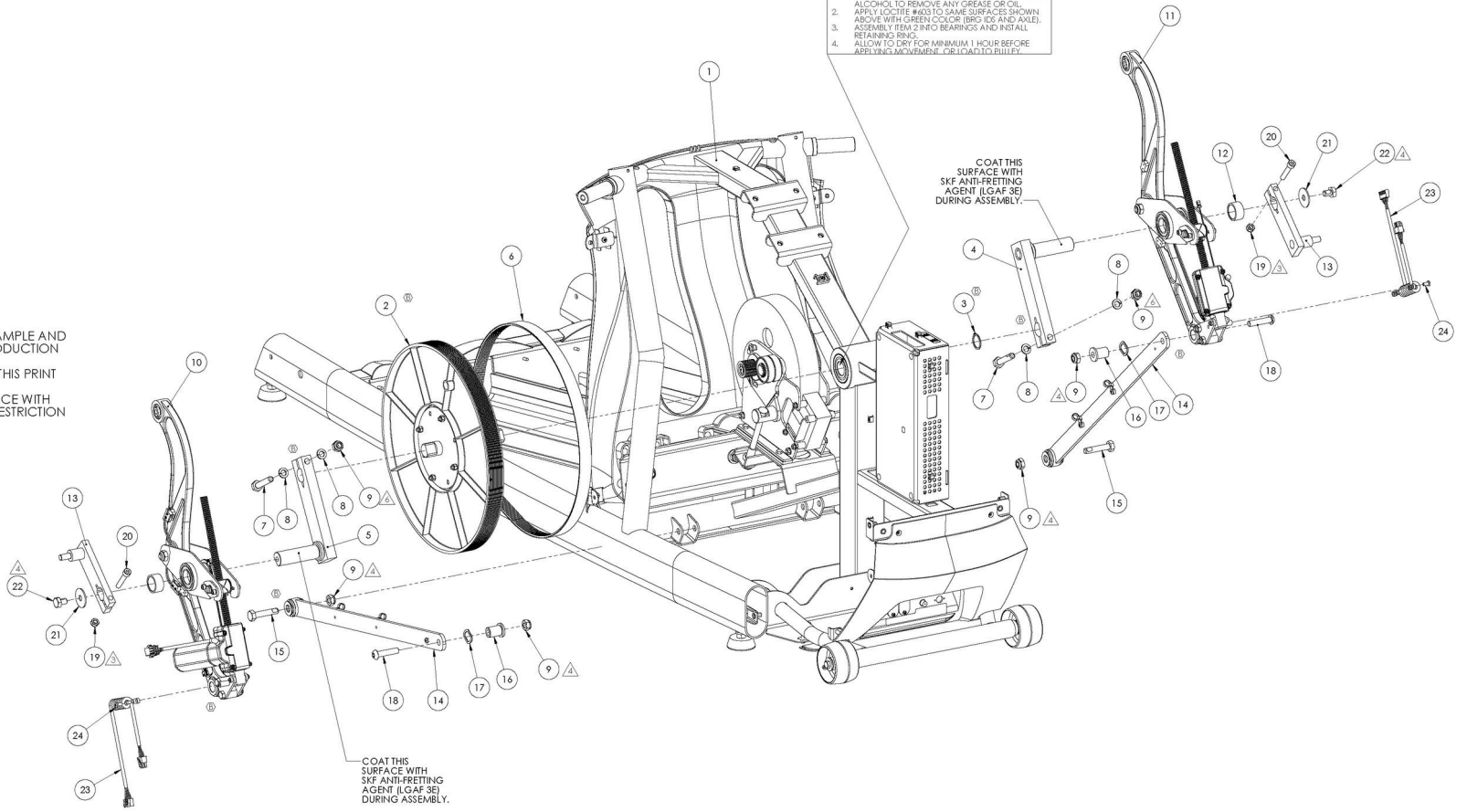


- ⑥ LOCITE PROCEDURE FOR ASSEMBLY OF ITEM 2:
1. CLEAN SURFACES SHOWN ABOVE WITH GREEN COLOR BEARING IS AND AXLES WITH DEGREASED ALCOHOL TO REMOVE ANY GREASE OR OIL.
 2. APPLY LOCITE #433 TO SAME SURFACES SHOWN ABOVE WITH GREEN COLOR (BEG IS AND AXLE).
 3. ASSEMBLY ITEM 2 INTO BEARINGS AND INSTALL RETAINING RING.
 4. ALLOW TO DRY FOR MINIMUM 1 HOUR BEFORE APPLYING MOVEMENT OR LOAD TO PULLEY.

NOTES:

1. TORQUE FASTENER TO 6 N-M (4 FT-LBS)
2. TORQUE FASTENER TO 12 N-M (9 FT-LBS)
3. TORQUE FASTENER TO 23 N-M (17 FT-LBS)
4. TORQUE FASTENER TO 45 N-M (33 FT-LBS)
5. TORQUE FASTENER TO 60 N-M (44 FT-LBS)
6. TORQUE FASTENER TO 75 N-M (55 FT-LBS)
7. TORQUE FASTENER TO 102 N-M (75 FT-LBS)
8. OCTANE FITNESS ENGINEERING APPROVAL ON FIRST SAMPLE AND VENDOR INSPECTION REPORT REQUIRED PRIOR TO PRODUCTION FROM NEW OR REVISED TOOLING.
9. CAD GENERATED MODEL. ANY DIMENSIONS NOT ON THIS PRINT SHOULD BE EXTRACTED FROM THE CAD MODEL.
10. SUPPLIER MUST SUPPLY A DECLARATION OF COMPLIANCE WITH EUROPEAN COUNCIL DIRECTIVE 2011/65/EU, ON THE RESTRICTION OF USE OF CERTAIN HAZARDOUS SUBSTANCES (RoHS).

ITEM NO.	PART NUMBER	DESCRIPTION	SHEET 6/QTY.
1	109393-001	ASSY, LOWER FRAME, XT-4700	1
2	111421-001	ASSY, MAIN CRANK PULLEY	1
3	900009-001	RING, RETAINING, 25MM	1
4	108945-001	WLDMT, CRANK ARM, LH	1
5	108944-001	WLDMT, CRANK ARM, RH	1
6	100822-001	BELT, DRIVE, 10 RIB, 580J	1
7	100715-001	BOLT, M10 X 1.5 X 55, HEX HEAD, 12.9 STL, CZ	2
8	950052-009	B18,21,2M, WASHER, LOCK, STL, M10	4
9	103395-001	NUT, HEX, NYLON INSERT, M10 X 1.5, CZ CLASS 10	10
10	108842-001	ASSY, 3P LINK, 20-28 STRIDE, RH	1
11	108911-001	ASSY, 3P LINK, 20-28 STRIDE, LH	1
12	108851-001	SPACER, SECONDARY CRANK ARM	2
13	109469-001	WLDMT, SECONDARY CRANK ARM	2
14	111431-001	ASSEMBLY, LINK, STABILIZER	2
15	101561-001	BOLT, M10 X 1.5 X 50, HEX HEAD, GR 8.8, CZ	2
16	105039-001	AXLE, SHOULDERED	2
17	105030-001	WASHER, WAVE, 19.3 X 26.0 X 1.4	2
18	103459-001	SCREW, M10 X 1.5 X 45L BHCS, BLACK ZINC, 10.9 STL	2
19	103393-001	NUT, HEX, NYLON INSERT, M8 X 1.25, CZ CLASS 10	4
20	101296-001	SCREW, M8 X 1.25 X 45.0L SHCS, BLACK ZINC, 12.9 STL	2
21	108512-001	WASHER, 10 X 35 X 2, STEEL, YZ	4
22	106772-001	BOLT, M10 X 1.5 X 15, HEX HEAD, CLASS 10.9	2
23	110359-001	ASSY, CABLE, TIMOTION, 6 CONDUCTOR	2
24	100602-001	SCREW, M5 X 0.8 X 10, PAN HEAD, TYPE 1 CROSS RECESSED, BZ	2
26	105709-001	BOLT, M8 X 1.25 X 45 HCS, 12.9 STL, CZ	2



OCTANE FITNESS
Fuel Your Life

TOLERANCES ARE: PART DESCRIPTION
 DECIMALS ANGLES XI-4700 BASE
 .01 .015 .03 .05 .50 .015
 .000 .000 .000 .000 .000 .000

APPROVED: DATE: REV: DWG NO: 109000-001
 DRAWN BY: 5/10/2013 10:44:14 DO NOT SCALE DRAWING SHEET 001