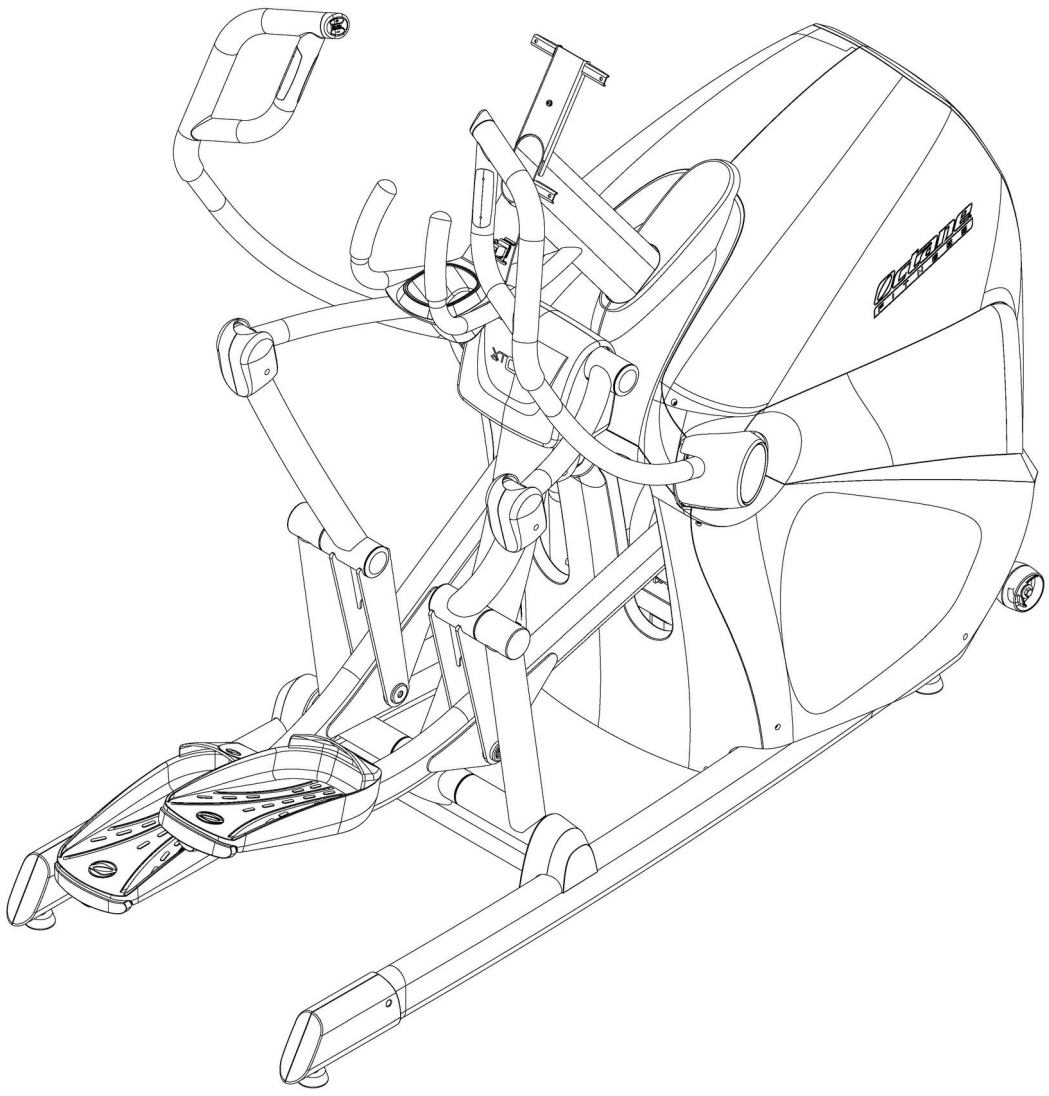
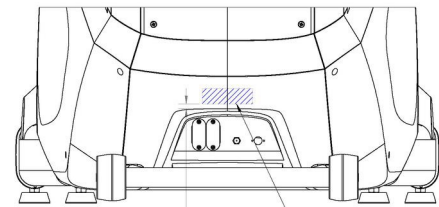


8 THE INFORMATION CONTAINED IN THIS DRAWING IS THE SOLE PROPERTY
 7 OF OCTANE FITNESS. ANY REPRODUCTION IN PART OR WHOLE WITHOUT
 6 THE WRITTEN PERMISSION OF OCTANE FITNESS IS PROHIBITED.



REV	DESCRIPTION	ECN #	DATE	ENG
A	PRODUCTION RELEASE	001-00-015596	3/27/2015	BHG
B	ADDED TORQUE REQUIREMENTS, GREASE NOTES, AND ASSEMBLY NOTES	001-00-015596	5/4/2015	BHG
C	SHEET 7: 102454-001, 108212-001, 109987-001 REPLACED BY 105158-001, 110741-001, 110742-001.	001-00-015596	5/27/2015	BHG
D	SHT 4: ADDED PHOTO FOR CABLE BUNDLE LOCATION SHT 7: ADDED PHOTO TO SHOW CABLE TIE TRIMMING SHT 8: ADDED PHOTO TO SHOW GREASE APPLICATION. NEW P/N 110835-001.	001-00-015596	8/12/2015	BHG
E	SHT 3: LOWER SIDE SHROUDS REPLACED WITH 111075-001 AND 111076-001 AND SECURED WITH SCREWS 102134-001. SHT 4: UPDATED CABLE AND BOARD IN MOVING ARMS 109258-001 AND 109261-001 WITH LOCKING CONNECTOR. SHT 6: ADDED RETAINING RING TO STABILIZER LINKS 109081-001. SHT 7: REMOVED UHMW TAPE FROM TOP ROCKERS 109035-001 AND 109067-001. REPLACED EXTENSION TUBE 109096-001 WITH 111071-001. SHT 8: CABLE CONNECTION SHROUD REPLACED WITH 111074-001. NEW BRACKET 111101-001 ON LOWER FRAME WELDMENT 108962-001.	001-00-015660	10/13/2015	BHG
F	SHT 7: INCLINE SCREW ASSEMBLY 110835-001 REPLACED BY 111378-001. NEW SERVICE ITEM 111379-001 FOR INCLINE MOTOR WITH CLEVIS ALREADY ATTACHED.	001-00-015705	1/26/2016	BHG
G	SHT 2: NEW ACCENT SHROUD PANELS 111763-001 AND 111764-001. SHT 7: EXTENSION TUBE 111070-001 AND INCLINE SCREW 111378-001 GROUPED INTO SINGLE ITEM 111800-001.	001-00-015752	6/13/2016	BHG
H	SHT 7: 111800-001 REPLACED WITH 112436-001. REMOVED BRACKET 109666-001 AND SCREWS 110864-001.	001-00-015868	4/20/2017	BHG
I	SHT 5: ITEM 48 112684-001 PEDAL LEVER REPLACED 109108-001.	001-00-015849	9/26/2017	BHG
J	SHT 7: 112892-001 REPLACED 112436-001.	001-00-015879	12/8/2017	BHG



SERIAL NUMBER LABEL LOCATION

APPLICABLE OCTANE FITNESS SPECIFICATIONS	
SPEC NO.	SPECIFICATION TITLE
OFS-001	BELT TENSION REQUIREMENTS
OFS-004	GREASE SPECIFICATIONS

- NOTES:
- OCTANE FITNESS ENGINEERING APPROVAL ON FIRST SAMPLE AND VENDOR INSPECTION REPORT REQUIRED PRIOR TO PRODUCTION FROM NEW OR REVISED TOOLING.
 - CAD GENERATED MODEL. ANY DIMENSIONS NOT ON THIS PRINT SHOULD BE EXTRACTED FROM THE CAD MODEL.
 - SUPPLIER MUST SUPPLY A DECLARATION OF COMPLIANCE WITH EUROPEAN COUNCIL DIRECTIVE 2011/65/EU, ON THE RESTRICTION OF USE OF CERTAIN HAZARDOUS SUBSTANCES (RoHS).

UNLESS OTHERWISE SPECIFIED: DIMENSIONS ARE IN: **OCTANE FITNESS**
Fit Your Life
 PART DESCRIPTION: XT-ONE BASE
 DECIMALS: ANGLES: 109100-001
 00.00 00.00
 00.00 00.00
 00.00 00.00
 00.00 00.00
 APPROVED: DATE: 10/25/13
 DRAWN: 10/25/13
 CHECKED: 10/25/13
 1 DO NOT SCALE DRAWING. SHEET 1 OF 2