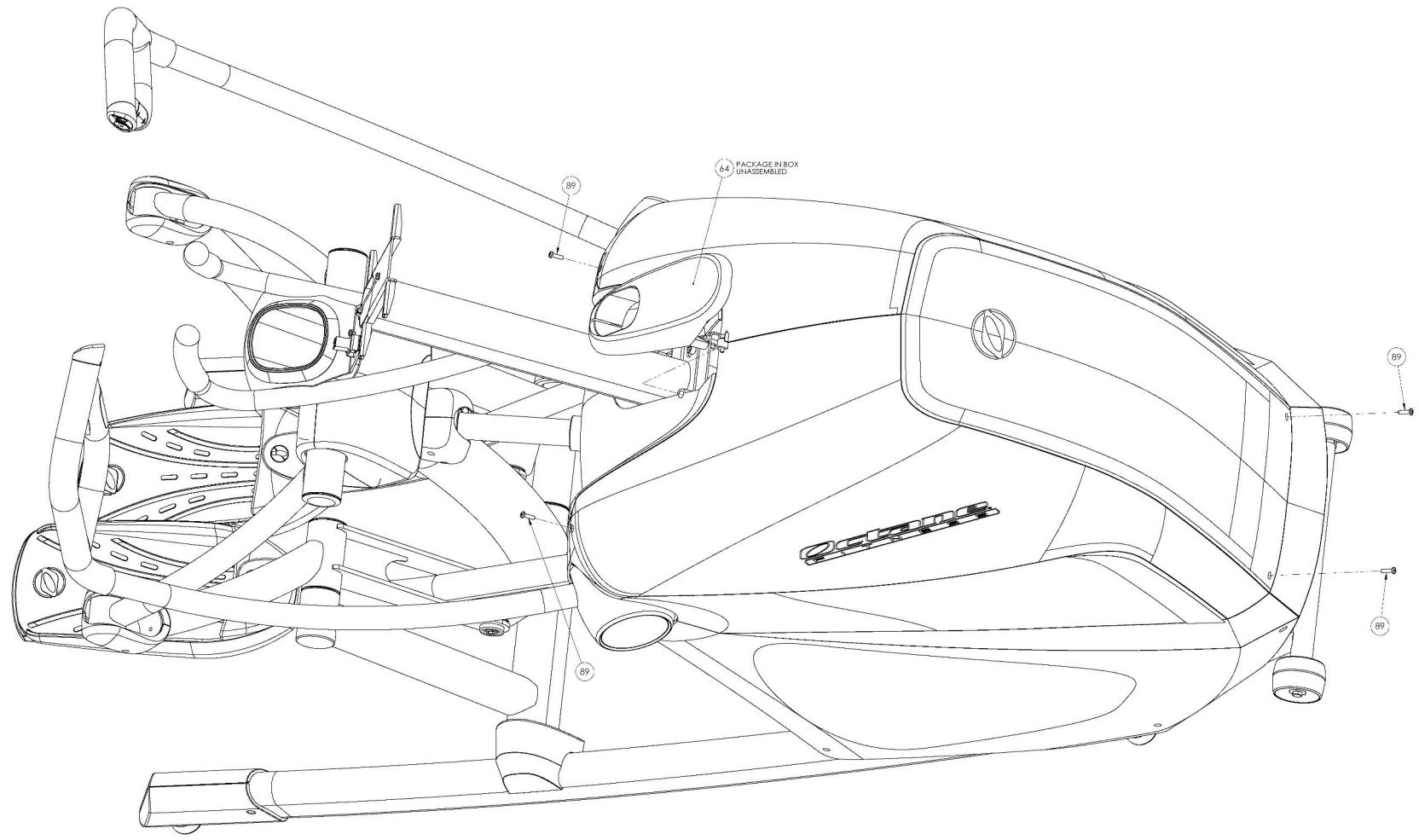


8 THE INFORMATION CONTAINED IN THIS DRAWING IS THE SOLE PROPERTY  
 OF OCTANE FITNESS. ANY REPRODUCTION IN PART OR WHOLE WITHOUT  
 THE WRITTEN PERMISSION OF OCTANE FITNESS IS PROHIBITED.

| REV | DESCRIPTION | ECN # | DATE | ENG |
|-----|-------------|-------|------|-----|
| -   | Std Sheet   | -     | -    | -   |



| ITEM | PART NUMBER | DESCRIPTION   | SHEET 1/QTY. |
|------|-------------|---|--------------|
| 64   | 109528-001  | BOOT, 5700 MAST   | 1            |
| 89   | 102134-001  | SCREW, M5 X 0.8 X 18, PAN HEAD, TYPE 1 CROSS RECESSED, SS | 32           |

- NOTES:
- OCTANE FITNESS ENGINEERING APPROVAL ON FIRST SAMPLE AND VENDOR INSPECTION REPORT REQUIRED PRIOR TO PRODUCTION FROM NEW OR REVISED TOOLING.
  - CAD GENERATED MODEL. ANY DIMENSIONS NOT ON THIS PRINT SHOULD BE EXTRACTED FROM THE CAD MODEL.
  - SUPPLIER MUST SUPPLY A DECLARATION OF COMPLIANCE WITH EUROPEAN COUNCIL DIRECTIVE 2011/65/EU, ON THE RESTRICTION OF USE OF CERTAIN HAZARDOUS SUBSTANCES (RoHS).

**OCTANE FITNESS**  
*Fun Your Life*

PART DESCRIPTION: XT-ONE BASE

APPROVED BY: [Signature] DATE: 10/20/2023

REV: 1

109100-001