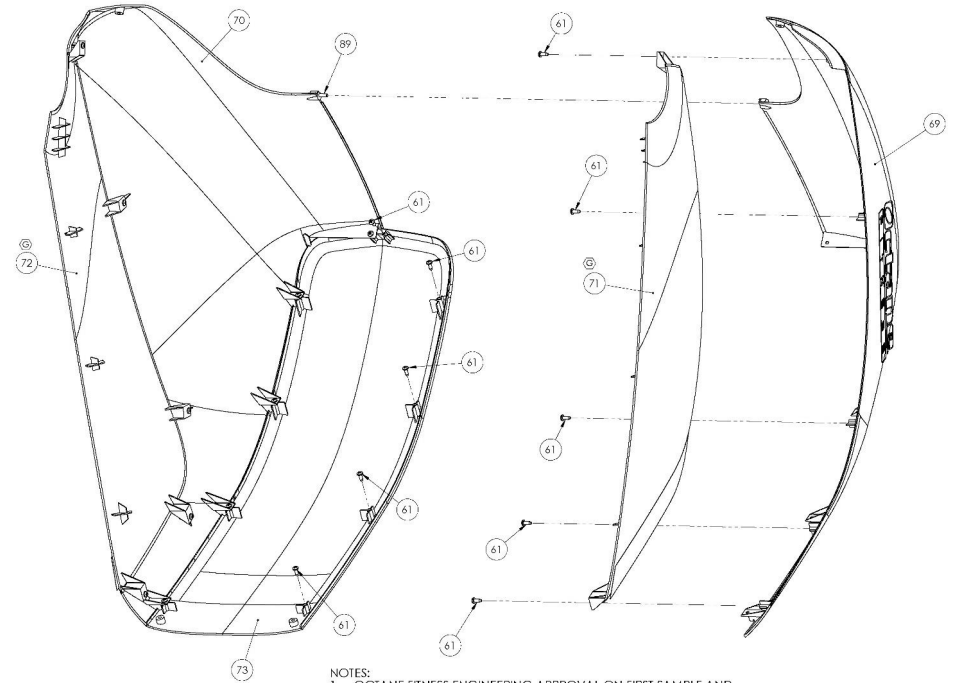
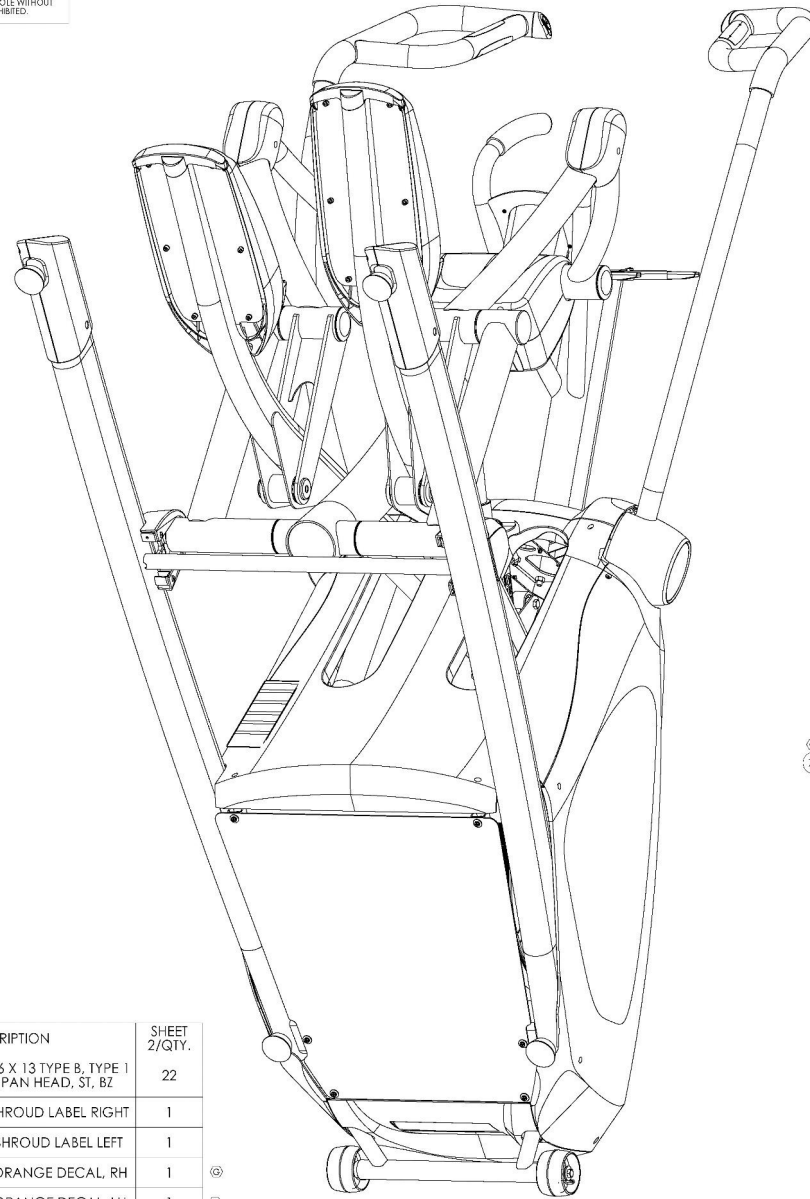


8
 THE INFORMATION CONTAINED IN THIS DRAWING IS THE SOLE PROPERTY OF OCTANE FITNESS. ANY REPRODUCTION IN PART OR WHOLE WITHOUT THE WRITTEN PERMISSION OF OCTANE FITNESS IS PROHIBITED.

REV	DESCRIPTION	ECN #	DATE	ENG
-	See Sheet 1	-	-	-



ITEM	PART NUMBER	DESCRIPTION	SHEET 2/QTY.
61	100429-001	SCREW, M4.8 X 1.6 X 13 TYPE B, TYPE 1 CROSS RECESS PAN HEAD, ST, BZ	22
69	110367-001	ASSEMBLY, TOP SHROUD LABEL RIGHT	1
70	110368-001	ASSEMBLY, TOP SHROUD LABEL LEFT	1
71	111763-001	ACCENT PANEL ORANGE DECAL, RH	1
72	111764-001	ACCENT PANEL ORANGE DECAL, LH	1
73	110371-001	ASSEMBLY, FRONT SHROUD LABEL	1
89	102134-001	SCREW, M5 X 0.8 X 18, PAN HEAD, TYPE 1 CROSS RECESSED, SS	32

NOTES:
 1. OCTANE FITNESS ENGINEERING APPROVAL ON FIRST SAMPLE AND VENDOR INSPECTION REPORT REQUIRED PRIOR TO PRODUCTION FROM NEW OR REVISED TOOLING.
 2. CAD GENERATED MODEL. ANY DIMENSIONS NOT ON THIS PRINT SHOULD BE EXTRACTED FROM THE CAD MODEL.
 3. SUPPLIER MUST SUPPLY A DECLARATION OF COMPLIANCE WITH EUROPEAN COUNCIL DIRECTIVE 2011/65/EU, ON THE RESTRICTION OF USE OF CERTAIN HAZARDOUS SUBSTANCES (RoHS).

OCTANE FITNESS
Turn Your Life

PART DESCRIPTION: XI-ONE BASE

TOLERANCES ARE:
 DECIMALS ANGLES
 .015 .015 .015 .015 .015 .015

APPROVAL: [Signature] DATE: 10/20/2023
 DRAWN BY: [Signature] CHECKED BY: [Signature]

REV: 1
 PART: 109100-001