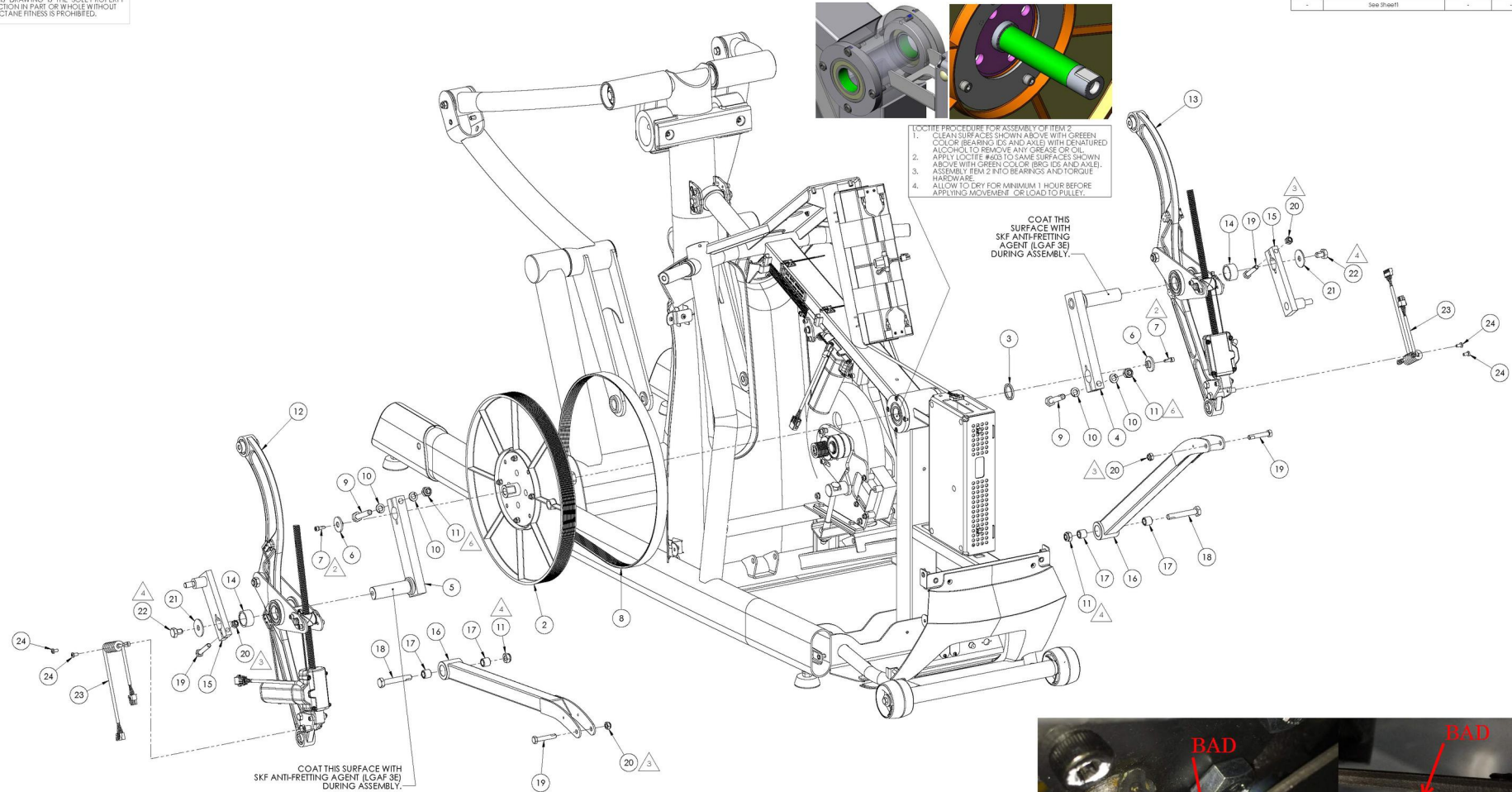


THE INFORMATION CONTAINED IN THIS DRAWING IS THE SOLE PROPERTY OF OCTANE FITNESS. ANY REPRODUCTION IN PART OR WHOLE WITHOUT THE WRITTEN PERMISSION OF OCTANE FITNESS IS PROHIBITED.

REV	DESCRIPTION	ECN #	DATE	END
-	See Sheet 1	-	-	-



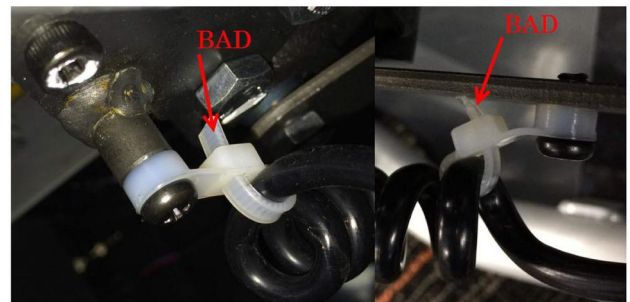
LOCTITE PROCEDURE FOR ASSEMBLY OF ITEM 2  
 1. CLEAN SURFACES SHOWN ABOVE WITH GREEN COLOR BEARINGS IDS AND AXLE WITH DEGREASER/ALCOHOL TO REMOVE ANY GREASE OR OIL.  
 2. APPLY LOCTITE #462 TO SAME SURFACES SHOWN ABOVE WITH GREEN COLOR (BRCG IDS AND AXLE).  
 3. ASSEMBLY ITEM 2 INTO BEARINGS AND TORQUE HARDWARE.  
 4. ALLOW TO DRY FOR MINIMUM 1 HOUR BEFORE APPLYING MOVEMENT OR LOAD TO PULLEY.

COAT THIS SURFACE WITH SKF ANTI-FRETTING AGENT (LGAF 3E) DURING ASSEMBLY.

COAT THIS SURFACE WITH SKF ANTI-FRETTING AGENT (LGAF 3E) DURING ASSEMBLY.

NOTES:

- 1. TORQUE FASTENER TO 6 N-M (4 FT-LBS)
- 2. TORQUE FASTENER TO 12 N-M (9 FT-LBS)
- 3. TORQUE FASTENER TO 23 N-M (17 FT-LBS)
- 4. TORQUE FASTENER TO 45 N-M (33 FT-LBS)
- 5. TORQUE FASTENER TO 60 N-M (44 FT-LBS)
- 6. TORQUE FASTENER TO 75 N-M (55 FT-LBS)
- 7. TORQUE FASTENER TO 102 N-M (75 FT-LBS)
- 8. OCTANE FITNESS ENGINEERING APPROVAL ON FIRST SAMPLE AND VENDOR INSPECTION REPORT REQUIRED PRIOR TO PRODUCTION FROM NEW OR REVISED TOOLING.
- 9. CAD GENERATED MODEL. ANY DIMENSIONS NOT ON THIS PRINT SHOULD BE EXTRACTED FROM THE CAD MODEL.
- 10. SUPPLIER MUST SUPPLY A DECLARATION OF COMPLIANCE WITH EUROPEAN COUNCIL DIRECTIVE 2011/65/EU, ON THE RESTRICTION OF USE OF CERTAIN HAZARDOUS SUBSTANCES (RoHS).



CABLE TIES MUST BE TRIMMED FLUSH FOR CABLE 110359-001

ITEM NO.	PART NUMBER	DESCRIPTION	SHEET 6/QTY.
2	109973-001	ASSY, MAIN CRANK PULLEY	1
3	109976-001	SPACER, MAIN CRANK	1
4	109974-001	WLDMT, CRANK ARM 147, LH	1
5	109978-001	WLDMT, CRANK ARM 147, RH	1
6	109975-001	WASHER, MAIN CRANK CLAMP	2
7	101297-001	SCREW, M5 X 0.8 X 16.0L SHCS, BLACK ZINC, 12.9 STL, SPRING WASHER	2
8	100822-001	BELL, DRIVE, 10 RB, 36D	1
9	100715-001	BOUL, M10 X 1.5 X 45, HEX HEAD, 12.9 STL, CZ	2
10	950352-009	B18.21.2M, WASHER, LOCK, STL, M10	4
11	103395-001	NUJ, HEX, NYLON INSERT, M10 X 1.5, C2 CLASS 10	8
12	108966-001	ASSY, 3P LINK, 20-28 STRIDE, RH	1
13	108967-001	ASSY, 3P LINK, 20-28 STRIDE, LH	1
14	108851-001	SPACER, SECONDARY CRANK ARM	2
15	109509-001	WLDMT, SECONDARY CRANK ARM	2
16	109081-001	ASSY, BENT STABILIZER	2
17	109684-001	SPACER, BEARING	6
18	106212-001	BOUL, M10 X 1.5 X 45, HEX HEAD, CLASS 10.9	2
19	105709-001	BOUL, M8 X 1.25 X 45 HCS, 12.9 STL, CZ	4
20	103393-001	NUJ, HEX, NYLON INSERT, M8 X 1.25, C2 CLASS 10	8
21	108851-001	WASHER, 10 X 35 X 2, STEEL, Y2	4
22	106772-001	BOUL, M10 X 1.5 X 15, HEX HEAD, CLASS 10.9	2
23	110359-001	ASSY, CABLE, TIMOTHON, 6 CONDUCTOR	2
24	100602-001	SCREW, M5 X 0.8 X 10, PAN HEAD, TYPE 1 CROSS RECESSED, BZ	4

UNITS OF MEASURE		PART DESCRIPTION	
DECIMALS ARE:	1/16, 1/8, 3/16, 1/4, 3/8, 1/2, 5/8, 3/4, 7/8, 1.0	XT-ONE BASE	
ANGLES ARE:	15, 30, 45, 60, 90, 120, 150, 180		
APPROVED:	DATE:	REV:	109100-001
DRAWN BY:	420003	SCALE:	1:1
DO NOT SCALE DIMENSIONS. SHEET 001			

OCTANE FITNESS  
 Fuel Your Life