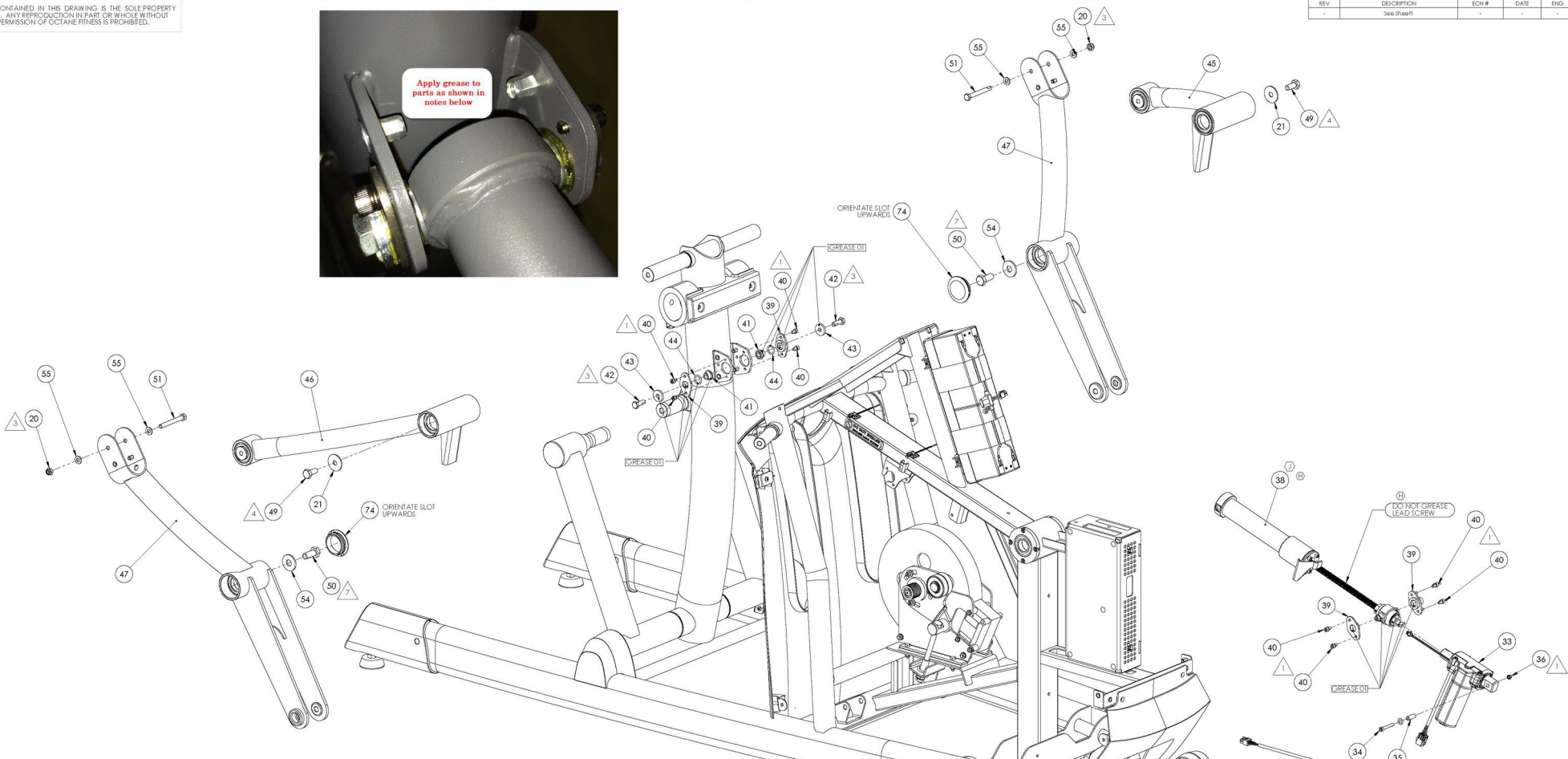


THE INFORMATION CONTAINED IN THIS DRAWING IS THE SOLE PROPERTY OF OCTANE FITNESS. ANY REPRODUCTION IN PART OR WHOLE WITHOUT THE WRITTEN PERMISSION OF OCTANE FITNESS IS PROHIBITED.



REV	DESCRIPTION	ECH #	DATE	ENG
-	See Sheet 1	-	-	-



ITEM NO.	PART NUMBER	DESCRIPTION	SHEET / QTY.
20	103393-001	NUT, HEX, NYLON INSERT, M8 X 1.25, C2 CLASS 10	8
21	108512-001	WASHER, 10 X 35 X 2, STEEL, YZ	4
33	111379-001	ASSY, INCLINE MOTOR WITH CLEVIS	1
34	101772-001	B18.3.1M, M5 X 0.8 X 35.0L SHCS, BLACK ZINC, STL	1
35	110769-001	SHAFT, MOTOR MOUNT	1
36	950046-006	NUT, HEX, NYLON INSERT, STL, M5	1
37	103441-001	O-RING, 8 X 13 X 2.5	1
38	112892-001	ASSY, INCLINE TUBE AND SCREW	1
39	101565-001	BUSHING, NUT, SHAFT ACTUATOR	4
40	101298-001	SCREW, M5 X 0.8 X 10.0L SHCS, BLACK ZINC, 12.9 STL, SPRING WASHER	8
41	110741-001	SPACER, ACTUATOR PIVOT	2
42	109989-001	BOLT, M8 X 1.25 X 25, HEX HEAD, GR 8.8, CZ	2
43	105158-001	WASHER, 8.5 X 24 X 4 CZ	2
44	110742-001	O-RING, 14 X 19 X 2.5	2
45	109067-001	ASSY, TOP ROCKER, LH	1
46	109065-001	ASSY, TOP ROCKER, RH	1
47	109076-001	ASSY, PEDAL CONTROL LINK	2
49	106618-001	BOLT, M10 X 1.5 X 25, HEX HEAD, CLASS 10.9	4
50	106588-001	BOLT, M12 X 1.75 X 30, HEX HEAD, CLASS 10.9	2
51	108493-001	SCREW, M8 X 1.25 X 70 HHCS, 12.9 ST, BZ	2
54	110241-001	WASHER, 13.5 X 34 X 3, STEEL, YZ	2
55	103212-001	WASHER, M8, 8.3 X 16.0 X 1.6, STAINLESS STEEL	4
65	110107-001	CABLE ASSY, TIMOTION, INCLINE	1
74	109613-001	CAP. END, 56mm DIA	4

NOTES:

1. TORQUE FASTENER TO 6 N-M (4 FT-LBS)
2. TORQUE FASTENER TO 12 N-M (9 FT-LBS)
3. TORQUE FASTENER TO 23 N-M (17 FT-LBS)
4. TORQUE FASTENER TO 45 N-M (33 FT-LBS)
5. TORQUE FASTENER TO 60 N-M (44 FT-LBS)
6. TORQUE FASTENER TO 75 N-M (55 FT-LBS)
7. TORQUE FASTENER TO 102 N-M (75 FT-LBS)
8. OCTANE FITNESS ENGINEERING APPROVAL ON FIRST SAMPLE AND VENDOR INSPECTION REPORT REQUIRED PRIOR TO PRODUCTION FROM NEW OR REVISED TOOLING.
9. CAD GENERATED MODEL. ANY DIMENSIONS NOT ON THIS PRINT SHOULD BE EXTRACTED FROM THE CAD MODEL.
10. SUPPLIER MUST SUPPLY A DECLARATION OF COMPLIANCE WITH EUROPEAN COUNCIL DIRECTIVE 2011/65/EU, ON THE RESTRICTION OF USE OF CERTAIN HAZARDOUS SUBSTANCES (RoHS).

OCTANE FITNESS
Fuel Your Life

UNLESS OTHERWISE SPECIFIED, ALL DIMENSIONS SHALL BE IN MILLIMETERS

TOLERANCES ARE: DECIMALS ANGLES
±0.15 ±0.25 ±0.5 ±0.5

PART DESCRIPTION: XT-ONE BASE

APPROVED: DATE: REV: 109100-001
DRAWN BY: 4202023 FIGURE 4 DO NOT SCALE DRAWING SHEET 07