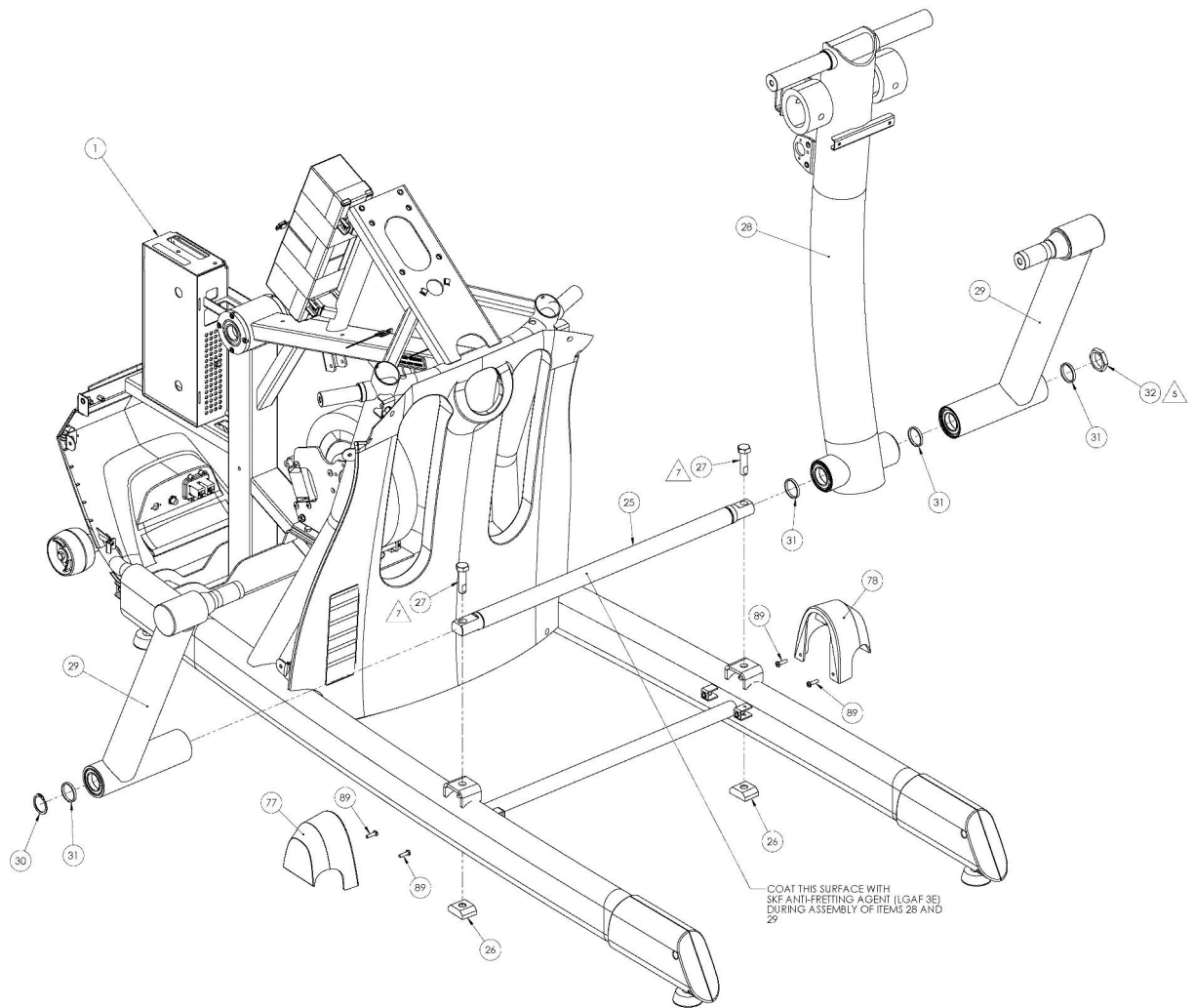


8  
7  
6  
5  
4  
3  
2

THE INFORMATION CONTAINED IN THIS DRAWING IS THE SOLE PROPERTY OF OCTANE FITNESS. ANY REPRODUCTION IN PART OR WHOLE WITHOUT THE WRITTEN PERMISSION OF OCTANE FITNESS IS PROHIBITED.

REV	DESCRIPTION	ECN #	DATE	ENG
-	See Sheet	-	-	-



NOTES:

- 1. TORQUE FASTENER TO 6 N-M (4 FT-LBS)
  - 2. TORQUE FASTENER TO 12 N-M (9 FT-LBS)
  - 3. TORQUE FASTENER TO 23 N-M (17 FT-LBS)
  - 4. TORQUE FASTENER TO 45 N-M (33 FT-LBS)
  - 5. TORQUE FASTENER TO 60 N-M (44 FT-LBS)
  - 6. TORQUE FASTENER TO 75 N-M (55 FT-LBS)
  - 7. TORQUE FASTENER TO 102 N-M (75 FT-LBS)
8. OCTANE FITNESS ENGINEERING APPROVAL ON FIRST SAMPLE AND VENDOR INSPECTION REPORT REQUIRED PRIOR TO PRODUCTION FROM NEW OR REVISED TOOLING.
9. CAD GENERATED MODEL. ANY DIMENSIONS NOT ON THIS PRINT SHOULD BE EXTRACTED FROM THE CAD MODEL.
10. SUPPLIER MUST SUPPLY A DECLARATION OF COMPLIANCE WITH EUROPEAN COUNCIL DIRECTIVE 2011/65/EU, ON THE RESTRICTION OF USE OF CERTAIN HAZARDOUS SUBSTANCES (RoHS).

ITEM NO.	PART NUMBER	DESCRIPTION	SHEET 8/QTY.
1	108961-001	ASSY, BASE, 5700	1
25	109088-001	SHAFT, INCLINE COLUMN PIVOT	1
26	109677-001	NUT, INCLINE PIVOT	2
27	106213-001	BOLT, M12 X 1.75 X 45, HEX HEAD, CLASS 10.9	2
28	109062-001	ASSY, INCLINE COLUMN	1
29	109070-001	ASSY, ROCKER, LOWER	2
30	108380-001	RING, EXT. RETAINING, 30mm	1
31	109609-001	SPACER, LOWER AXLE	4
32	107797-001	NUT, HEX, M30 X 1.5, THIN JAM	1
77	109544-001	COVER, INCLINE PIVOT - LH	1
78	109907-001	COVER, INCLINE PIVOT - RH	1
89	102134-001	SCREW, M5 X 0.8 X 18, PAN HEAD, TYPE 1 CROSS RECESSED, SS	32

**OCTANE FITNESS**  
*Put Your Life*

PART DESCRIPTION: XT-ONE BASE

TOLERANCES ARE:  
 DECIMALS ANGLES  
 .05 (0.05) .05 (0.5)

APPROVED BY: [Signature] DATE: 10/20/2011  
 DRAWN BY: [Signature] DATE: 10/20/2011

109100-001