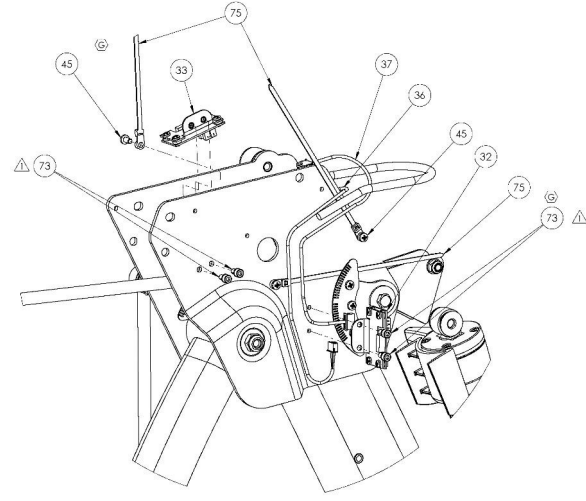
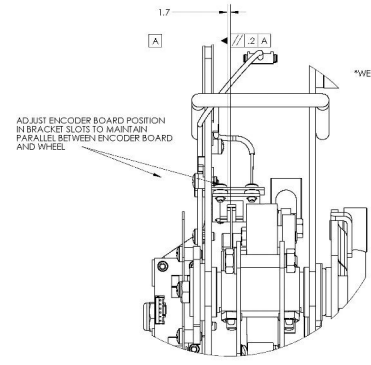


8 THE INFORMATION CONTAINED IN THIS DRAWING IS THE SOLE PROPERTY
 OF OCTANE FITNESS. ANY REPRODUCTION IN PART OR WHOLE WITHOUT
 THE WRITTEN PERMISSION OF OCTANE FITNESS IS PROHIBITED.

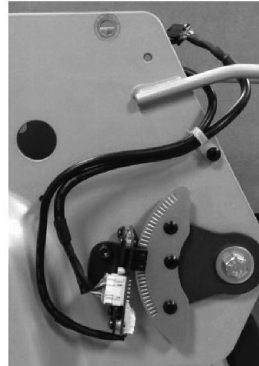
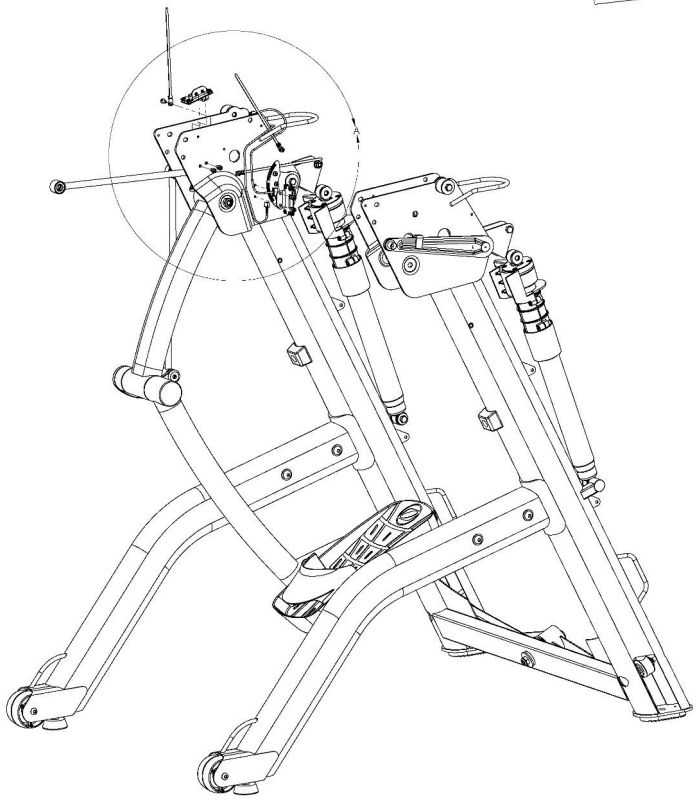
REV	DESCRIPTION	ECN #	DATE	ENG
-	See Sheet1	-	-	-



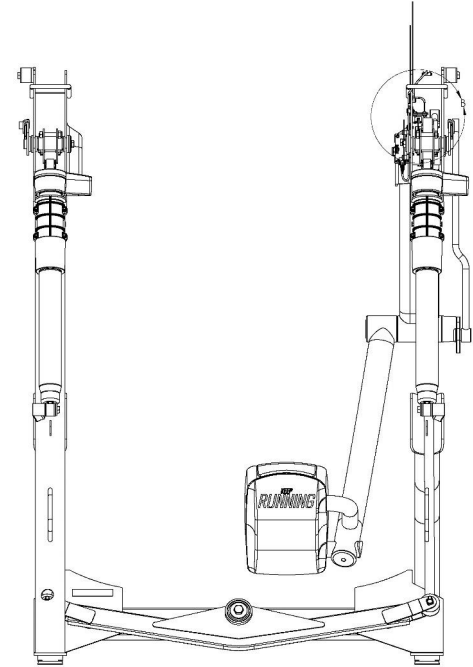
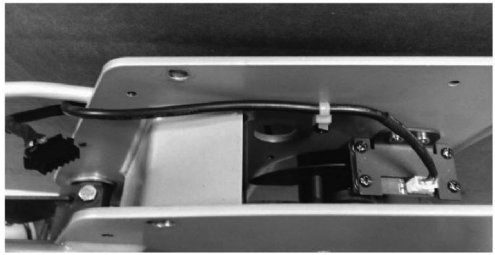
DETAIL A
SCALE 2:5



DETAIL B
SCALE 1:1.5



ROUTE CABLE ASSEMBLIES PER PHOTOS



ITEM NO.	PART NUMBER	DESCRIPTION	QTY
32	107911-001	ASSEMBLY, LOWER LEG CODE WHEEL BOARD MOUNT	1
33	107910-001	ASSEMBLY, UPPER LEG CODE WHEEL BOARD MOUNT	1
36	108738-001	CABLE ASSEMBLY, OPTO BOARD-OPTO BOARD	1
37	108761-001	CABLE ASSEMBLY, OPTO BOARD-TOP-OF-OP JUMPER	1
45	100662-001	SCREW, M5 X 0.8 X 10, PAN-HEAD, TYPE 1, CROSS RECESSED, B7	11
73	101298-001	SCREW, M5 X 0.8 X 10, DL SHCS, BLACK ZINC, 12.9 STL, SPRING WASHER	4
75	101416-001	CABLE TIE SCREW MOUNT, M5	3

NOTES:
 TORQUE FASTENER TO 6 N·M (4.4 FT-LB)
 OCTANE FITNESS ENGINEERING APPROVAL ON FIRST SAMPLES AND VENDOR INSPECTION REPORT REQUIRED PRIOR TO PRODUCTION FROM NEW OR REVISED TOOLING.

OCTANE FITNESS
Fun Your Life

PART DESCRIPTION: ZR7 BASE

APPROVAL: [Signature] DATE: 4/8/2021

REV: 2 QTY: 107300-001