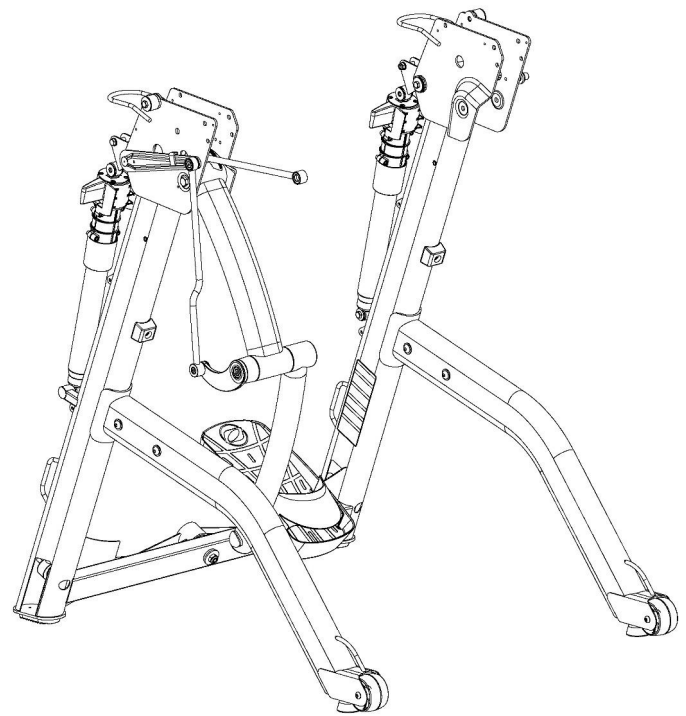
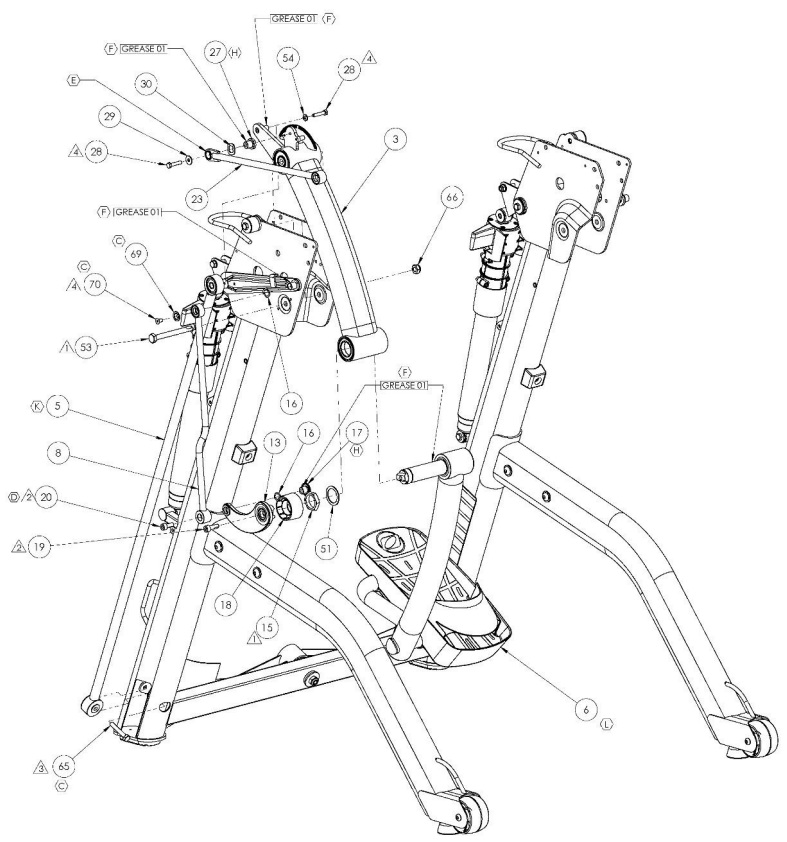


8  
 THE INFORMATION CONTAINED IN THIS DRAWING IS THE SOLE PROPERTY OF OCTANE FITNESS. ANY REPRODUCTION IN PART OR WHOLE WITHOUT THE WRITTEN PERMISSION OF OCTANE FITNESS IS PROHIBITED.

REV	DESCRIPTION	ECH #	DATE	ENG
-	See Sheet 1	-	-	-



ITEM NO.	PART NUMBER	DESCRIPTION	QTY
3	107602-001	ASSEMBLY, UPPER LEG, RIGHT	1
5	110757-001	ASSEMBLY, THIGH ARTICULATOR	2
6	112662-001	ASSEMBLY, LOWER LEG, RIGHT	1
8	107357-001	ASSEMBLY, LOWER LEG ARTICULATOR	2
13	107822-001	ASSEMBLY, CRANK, RIGHT KNEE PIVOT	1
15	107797-001	NUT, HEX, M30 X 1.5, THIN JAW	2
16	103849-001	WASHER, WAVE, 14.5 X 20.0 X .30	6
17	109937-001	AXLE, LOWER LEG ARTICULATOR	2
18	107825-001	COVER, KNEE PIVOT	2
19	102719-001	SCREW, M8 X 1.25 X 25.0L SHCS, BLACK ZINC, 12.9 STL	2
20	101295-001	SCREW, M8 X 1.25 X 20.0L SHCS, BLACK ZINC, 12.9 STL	2
23	107748-001	ASSEMBLY, UPPER BODY LINKAGE	2
27	109936-001	SHAFT, ARM LINKAGE	2
28	106332-001	BOLT, M6 X 1.0 X 30, HEX HEAD, CLASS 10.9	4
29	107850-001	WASHER, 15 X 6.4 X 1.6 CZ STL	2
30	103662-001	SPRING WASHER, 14MM, PLASTIC	2
51	107798-001	WASHER, 30.2 X 40 X 1.5, STL, CZ	2
53	107791-001	BOLT, M10 X 1.5 X 100, HEX HEAD, CLASS 12.9	3
54	950042-007	B16.22M, WASHER, PLAIN, STL, M6	2
65	101889-001	SCREW, M8 X 1.25 X 50-HKCS, 8.8 STL, CZ	2
66	103395-001	NUT, HEX, NYLON INSERT, M10 X 1.5, CZ CLASS 10	3
69	109010-001	WASHER, 6 X 20 X 1.2 CONICAL, STL, CZ	2
70	109008-001	SCREW, M6 X 1.0 X 12L, FLAT SHCS, CZ, 12.9 STL	2

- NOTES:
- ⚠ TORQUE FASTENER TO 60 N-M (44 FT-LB) Ⓞ
  - ⚠ TORQUE FASTENER TO 30 N-M (22 FT-LB)
  - ⚠ TORQUE FASTENER TO 23 N-M (17 FT-LB)
  - ⚠ TORQUE FASTENER TO 10 N-M (7.3 FT-LB)

5. OCTANE FITNESS ENGINEERING APPROVAL ON FIRST SAMPLES AND VENDOR INSPECTION REPORT REQUIRED PRIOR TO PRODUCTION FROM NEW OR REVISED TOOLING.

PART DESCRIPTION: ZR7 BASE	
TOLERANCES ARE: DECIMALS ANGLES .015 .015 .015 .015 .015 .015	APPROVED BY: [Signature] DATE: 4/8/2024 PART NO.: 107300-001 REV: M