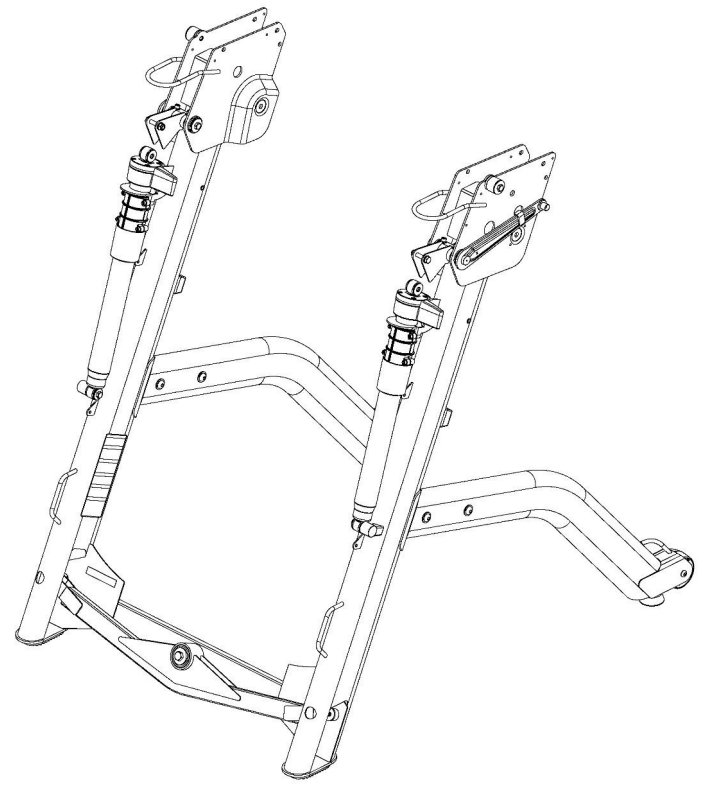
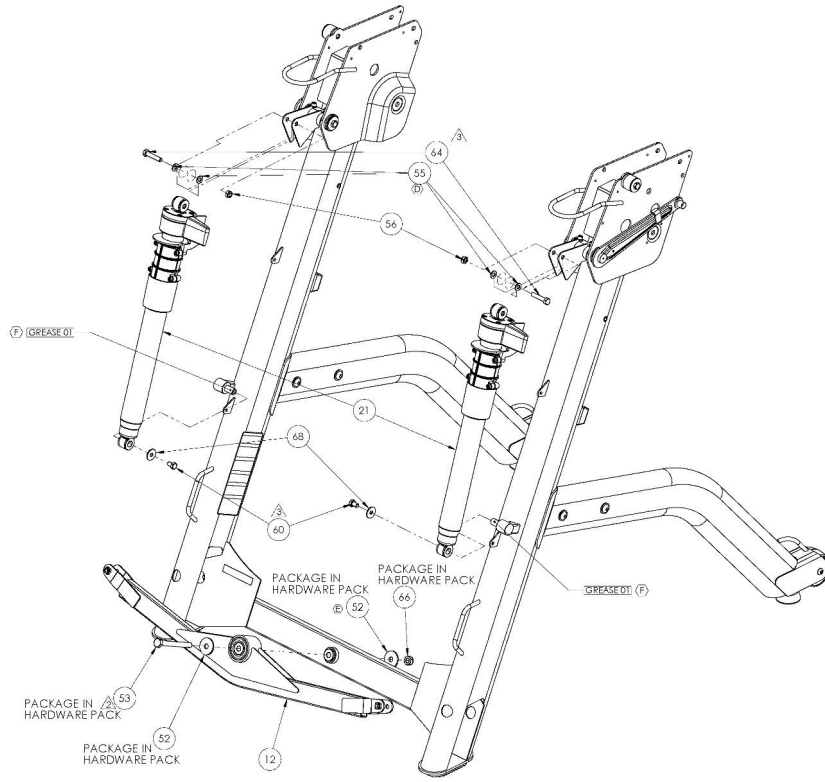


8 THE INFORMATION CONTAINED IN THIS DRAWING IS THE SOLE PROPERTY OF OCTANE FITNESS. ANY REPRODUCTION IN PART OR WHOLE WITHOUT THE WRITTEN PERMISSION OF OCTANE FITNESS IS PROHIBITED.

REV	DESCRIPTION	ECH #	DATE	ENG
-	See Sheet 1	-	-	-



ITEM NO.	PART NUMBER	DESCRIPTION	QTY
12	107590-001	ASSEMBLY, TRANSFER CROSSBAR	1
21	107796-001	ASSEMBLY, ADJUSTABLE DAMPER WITH SPRING	2
52	104489-001	WASHER, M10, 14ARDED	2
53	107791-001	BOLT, M10 X 1.5 X 100, HEX HEAD, CLASS 12.9	3
55	101029-001	WASHER, M8, 8.3 X 16.0 X 1.6, ST. BZ	14
56	103393-001	NUT, HEX, NYLON INSERT, M8 X 1.25, CZ CLASS 10	6
60	102351-001	SCREW, M8 X 1.25 X 12 HCS, 8.8 ST, CZ	4
64	103743-001	SCREW, M8 X 1.25 X 40 HCS, 8.8 ST, CZ	2
66	103395-001	NUT, HEX, NYLON INSERT, M10 X 1.5, CZ CLASS 10	3
68	102454-001	WASHER, 8 X 24 X 2, STEEL, CZ	2

- NOTES:
- ▲ TORQUE FASTENER TO 30 N-M (22 FT-LB)
 - ▲ TORQUE FASTENER TO 45 N-M (33 FT-LB)
 - ▲ TORQUE FASTENER TO 23 N-M (17 FT-LB)
 - ▲ TORQUE FASTENER TO 10 N-M (7.3 FT-LB)

5. OCTANE FITNESS ENGINEERING APPROVAL ON FIRST SAMPLES AND VENDOR INSPECTION REPORT REQUIRED PRIOR TO PRODUCTION FROM NEW OR REVISED TOOLING.

PART DESCRIPTION: ZR7 BASE	
TOLERANCES ARE: DECIMALS ANGLES .05 (0.0025) .0005 .0005 (0.0002) .0005	PART NUMBER: 107300-001 REV: M
APPROVED BY: [Signature] DATE: 4/8/19	DRAWN BY: [Signature] DATE: 3/25/19