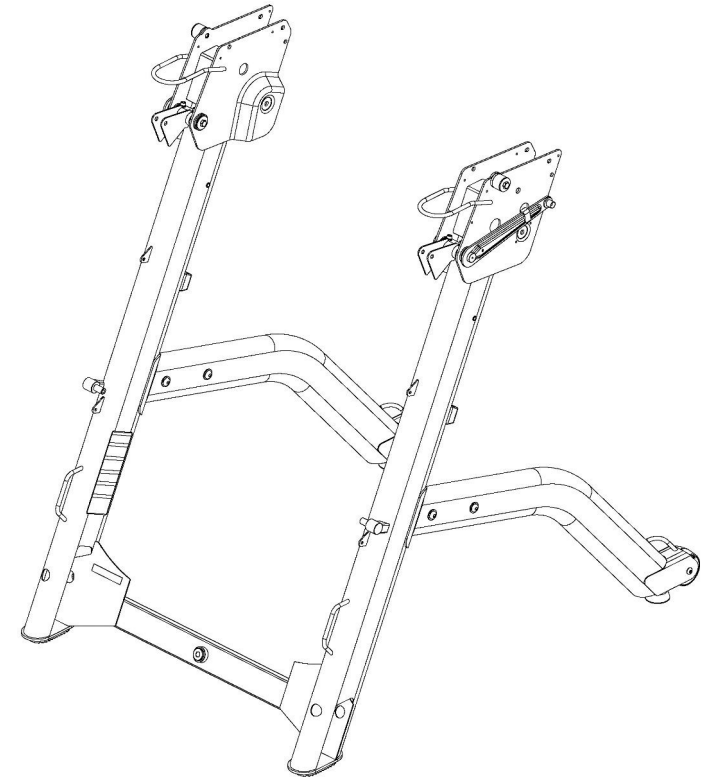
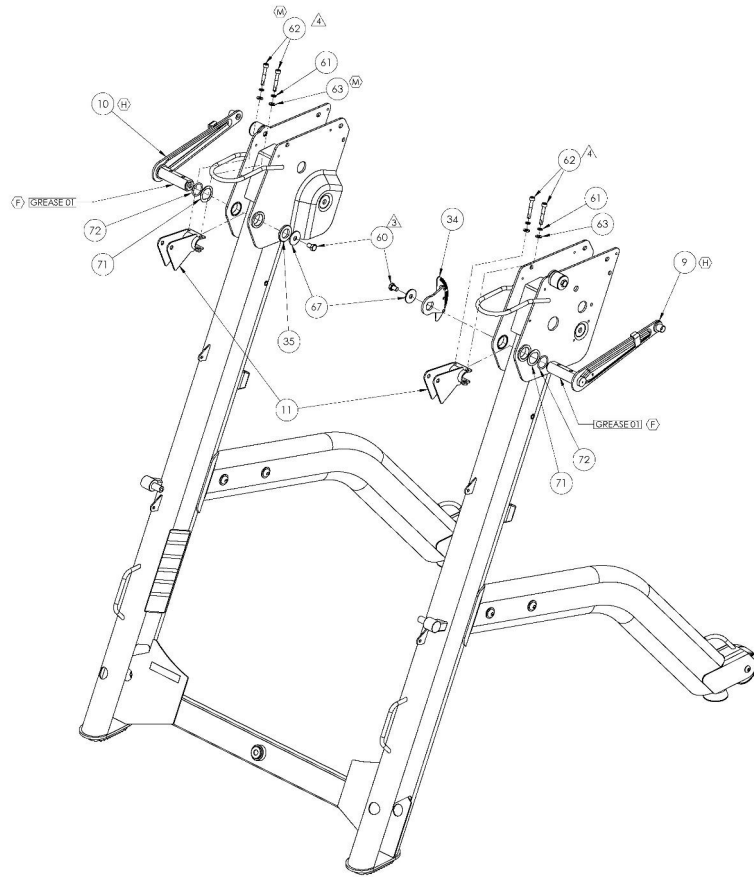


8 THE INFORMATION CONTAINED IN THIS DRAWING IS THE SOLE PROPERTY OF OCTANE FITNESS. ANY REPRODUCTION IN PART OR WHOLE WITHOUT THE WRITTEN PERMISSION OF OCTANE FITNESS IS PROHIBITED.

REV	DESCRIPTION	ECN #	DATE	ENG
-	See Sheet 1	-	-	-



ITEM NO.	PART NUMBER	DESCRIPTION	QTY
9	109939-001	WELDMENT, UPPER BELL CRANK, RIGHT	1
10	109940-001	WELDMENT, UPPER BELL CRANK, LEFT	1 (H)
11	107705-001	WELDMENT, UPPER DAMPER CONNECTION	2 (H)
34	108352-001	ASSEMBLY, LOWER LEG CODE WHEEL	1
35	107049-001	SPACER, 20.5 X 35 X 4	1
60	102351-001	SCREW, M8 X 1.25 X 12 HCS, S&S STL, CZ	4
61	950052-007	B18.21.2M, WASHER, LOCK, STL, M6	4
62	104568-001	SCREW, M6 X 1.0 X 40, SHCS, BZ	4 (M)
63	104567-001	WASHER, 6.4 X 12.5 X 1.6 CZ	4 (M)
67	102526-001	WASHER, M8 X 30 X 2	2
71	108333-001	WASHER, 25 X 35 X 1 INTERNAL D	2
72	103442-001	O-RING, 24 X 29 X 2.5	2

NOTES:

- 1 TORQUE FASTENER TO 30 N-M (22 FT-LB)
- 2 TORQUE FASTENER TO 45 N-M (33 FT-LB)
- 3 TORQUE FASTENER TO 23 N-M (17 FT-LB)
- 4 TORQUE FASTENER TO 10 N-M (7.3 FT-LB)

5. OCTANE FITNESS ENGINEERING APPROVAL ON FIRST SAMPLES AND VENDOR INSPECTION REPORT REQUIRED PRIOR TO PRODUCTION FROM NEW OR REVISED TOOLING.

		OCTANE FITNESS <i>Put Your Life</i> ZR7 BASE	
<small>100% OF PRODUCTION TO BE INSPECTED BY OCTANE FITNESS</small>		<small>PART DESCRIPTION</small>	
<small>TOLERANCES ARE:</small> DECIMALS ANGLES .05 .05 .05 .05 .0005 .0005 .0005 .0005	<small>APPROVED BY:</small> DATE: 4/8/19	<small>REVISED BY:</small> DATE: 3/15/19	<small>PART NUMBER</small> 107300-001