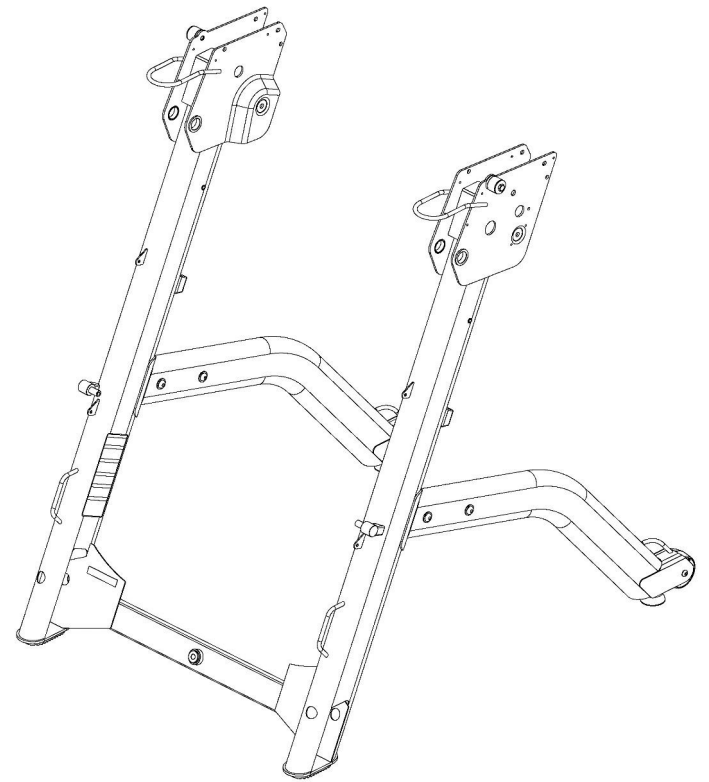
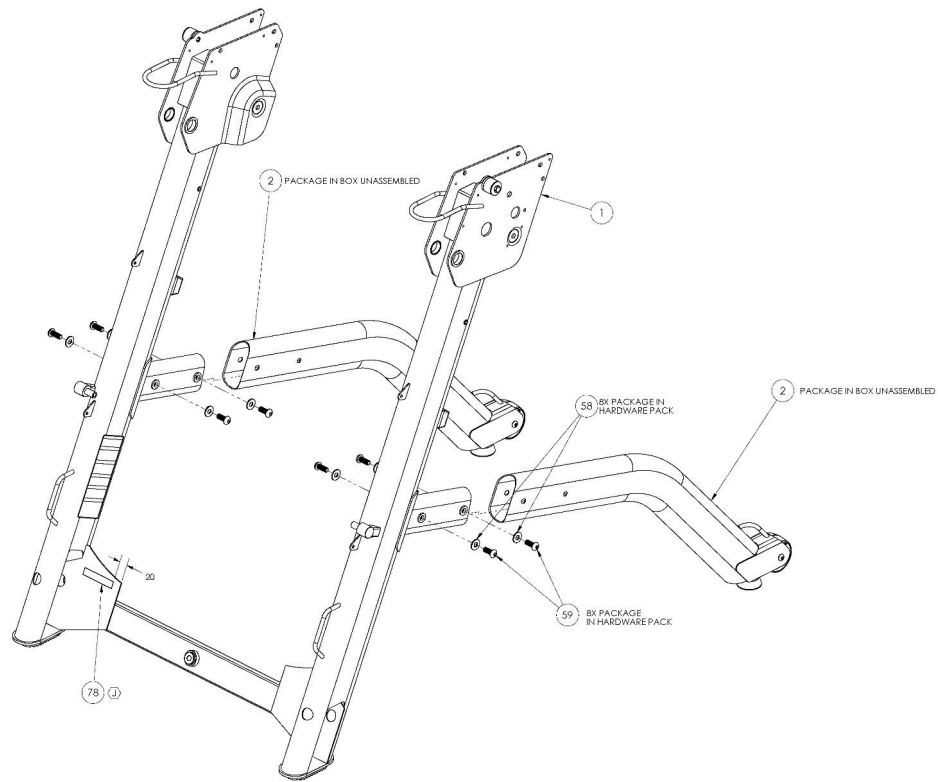


8
7
6
5
4
3
2
1
THE INFORMATION CONTAINED IN THIS DRAWING IS THE SOLE PROPERTY OF OCTANE FITNESS. ANY REPRODUCTION IN PART OR WHOLE WITHOUT THE WRITTEN PERMISSION OF OCTANE FITNESS IS PROHIBITED.

REV	DESCRIPTION	ECH #	DATE	ENG
-	See Sheet 1	-	-	-



ITEM NO.	PART NUMBER	DESCRIPTION	QTY
1	107301-001	ASSEMBLY MAIN FRAME	1
2	107306-001	ASSEMBLY BASE LEG	2
58	100717-001	10 X 28 X 2 STEEL C-Z	8
59	108302-001	BUTTON HEAD SOCKET CAP SCREW M10 X 1.5, 28 mm, CLASS 10.9 STL	8
78	110581-001	LABEL PATENT PENDING, ENG & CHN	1

OCTANE FITNESS
Put Your Life
 PART DESCRIPTION
 ZR7 BASE

APPROVED: [Signature] DATE: 08/10/10
 DRAWN BY: [Signature] DATE: 08/10/10

107300-001