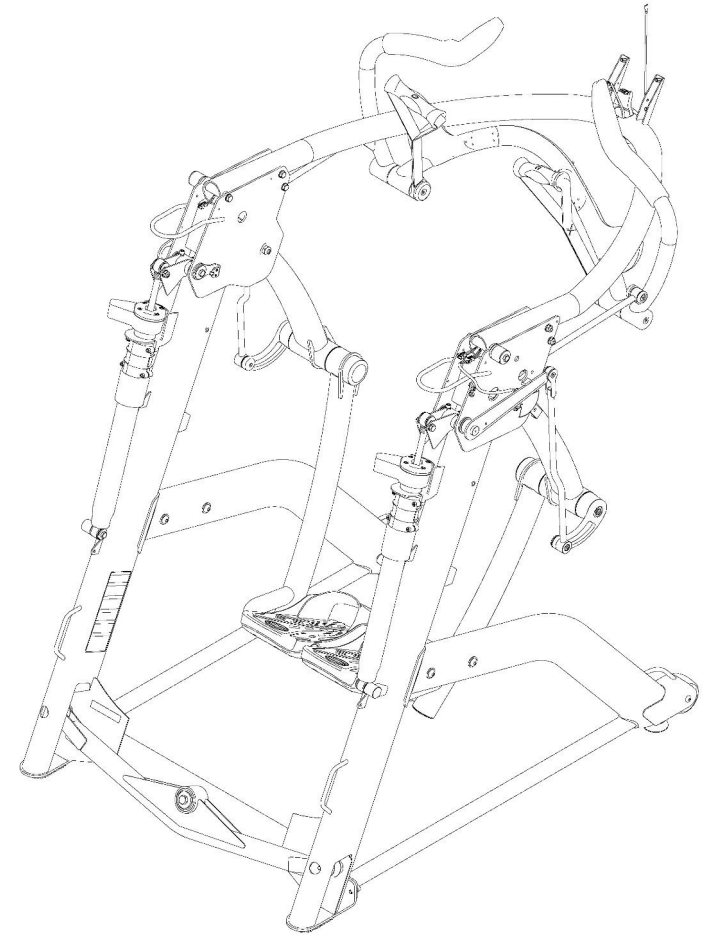
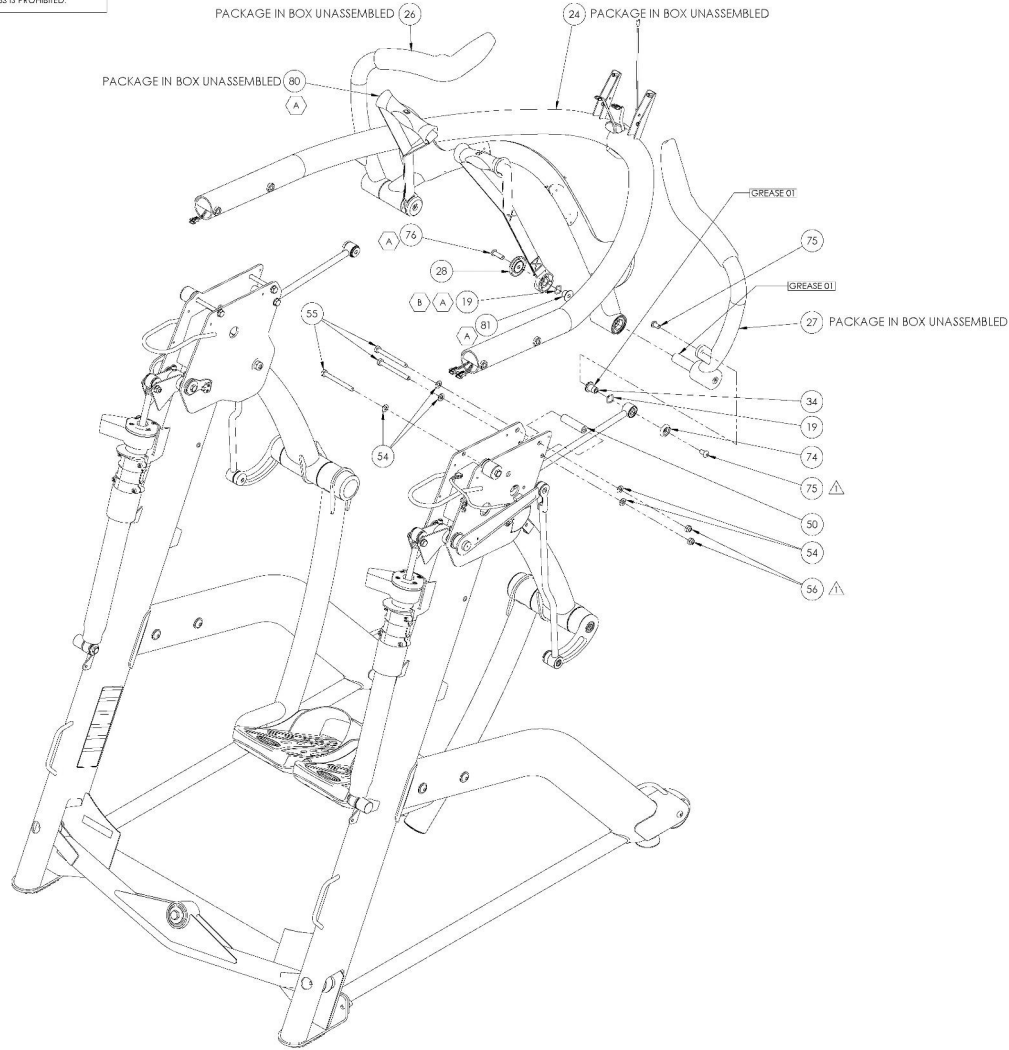


THE INFORMATION CONTAINED IN THIS DRAWING IS THE SOLE PROPERTY OF OCTANE FITNESS. ANY REPRODUCTION IN PART OR WHOLE WITHOUT THE WRITTEN PERMISSION OF OCTANE FITNESS IS PROHIBITED.

REV	DESCRIPTION	ECN #	DATE	ENG
-	See Sheet	-	-	-



ITEM NO.	PART NUMBER	DESCRIPTION	QTY
19	103840-001	WASHER, WAVE, 14.5 X 20.0 X .30	8
24	110496-001	ASSEMBLY, MOVING ARM HOOP ZRB	1
26	110430-001	ASSEMBLY, ARM LABEL LH ZRB	1
27	110429-001	ASSEMBLY, ARM LABEL RH ZRB	1
28	107876-001	UPPER BODY AXLE END CAP	2
32	103882-001	SPRING WASHER, 14MM, PLASTIC	2
34	109836-001	SHAFT, ARM LINKAGE FORWARD	2
50	109206-001	SPACER, MAIN FRAME	2
54	101029-001	WASHER, M8, 8.3 X 16.0 X 1.6, ST, BZ	18
55	108458-001	BOLT, M8 X 1.25 X 90 HCS, GR 12.9, C2	6
56	103393-001	NUT, HEX, NYLON INSERT, M8 X 1.25, C2 CLASS 10	6
74	109220-001	UPPER BODY, MOVING ARM LINKAGE, END CAP	2
75	109019-001	SCREW, M8 X 1.25 X 14, BHCS, C2, 12.9 STL	4
76	110950-001	SCREW, M8 X 1.25 X 25, BHCS, C2, 12.9 STL	2
80	110944-001	ASSEMBLY, PIVOT, FREE MOVING HANDLE	2
81	110943-001	SHAFT, FREE MOVING HANDLE	2

NOTES:

▲ TORQUE FASTENER TO 23 N-M (17 FT-LB)

2. OCTANE FITNESS ENGINEERING APPROVAL ON FIRST SAMPLES AND VENDOR INSPECTION REPORT REQUIRED PRIOR TO PRODUCTION FROM NEW OR REVISED TOOLING.

TOLERANCES ARE: DECIMALS ANGLES .0005 .0005 .0005 .0005	PART DESCRIPTION: ZRB BASE
APPROVED: [Signature] DATE: 5/30/24	PART NO.: 110240-001 REV: 1