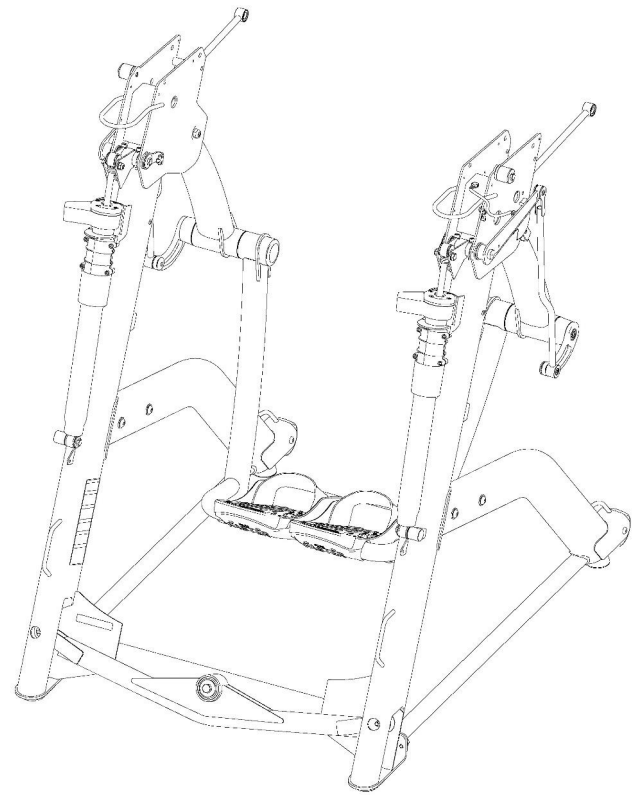
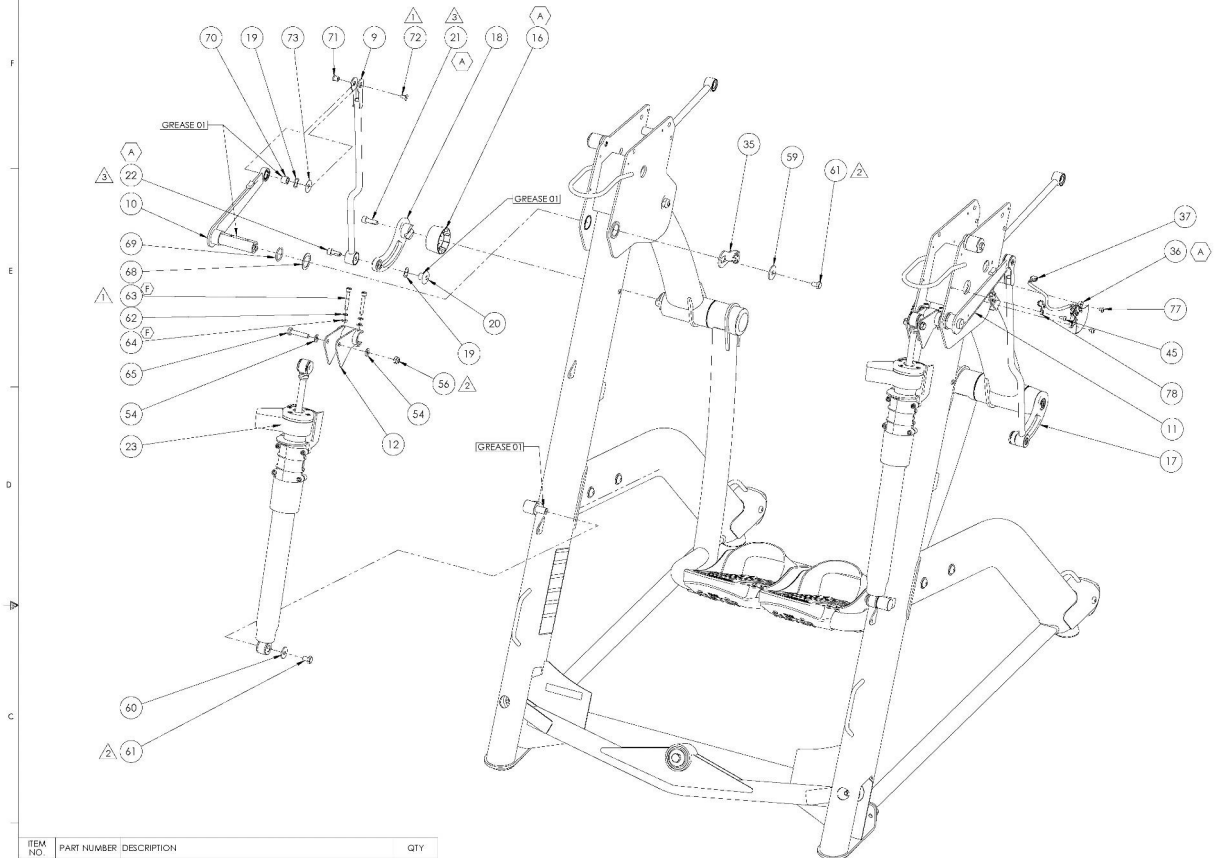


THE INFORMATION CONTAINED IN THIS DRAWING IS THE SOLE PROPERTY OF OCTANE FITNESS. ANY REPRODUCTION IN PART OR WHOLE WITHOUT THE WRITTEN PERMISSION OF OCTANE FITNESS IS PROHIBITED.

REV	DESCRIPTION	ECN #	DATE	ENG
-	See Sheet	-	-	-



ITEM NO	PART NUMBER	DESCRIPTION	QTY
9	110226-001	WELDMENT, LOWER LEG ARTICULATOR	2
10	110221-001	ASSEMBLY, UPPER BELL CRANK, LEFT	1
11	110223-001	ASSEMBLY, UPPER BELL CRANK, RIGHT	1
12	107705-001	WELDMENT, UPPER DAMPER CONNECTION	2
16	110476-001	COVER, KNEE PIVOT	2
17	110469-001	ASSEMBLY, CRANK, RIGHT KNEE PIVOT	1
18	110471-001	ASSEMBLY, CRANK, LEFT KNEE PIVOT	1
19	103860-001	WASHER, WAVE, 1.45 X 20.0 X .30	8
30	109937-001	AXLE, LOWER LEG ARTICULATOR	2
21	111003-001	SCREW, M8 X 1.25 X 25.0L SHCS, CLEAR ZINC, 12.9 STL	2
22	104697-001	SCREW, M8 X 1.25 X 20.0L SHCS, CLEAR ZINC, 12.9 STL	2
23	110239-001	ASSEMBLY, ADJUSTABLE DAMPER, ZRB	2
35	110231-001	ASSEMBLY, LOWER LEG MAGNET SUPPORT	2
34	110941-001	ASSEMBLY, MAGNETIC SENSOR WITH SHIELD	1
37	110500-001	CABLE ASY, ZRB HP SENSOR	1
45	100402-001	SCREW, M5 X 0.8 X 10, PAN HEAD, TYPE 1 CROSS RECESSED, BZ	9
54	101029-001	WASHER, M8, 8.3 X 16.0 X 1.6, ST, BZ	18
56	103093-001	NUT, HEX, NYLON INSERT, M8 X 1.25, CZ CLASS 10	6
59	102526-001	WASHER, M8 X 30 X 2	2
60	102454-001	WASHER, 8 X 24 X 2, STEEL, CZ	2
61	102351-001	SCREW, M8 X 1.25 X 12 HCS, 8.8 STL, CZ	4
62	050352-007	B18 21.2W, WASHER, LOCK, STL, M8	4
63	104568-001	SCREW, M6 X 1.0 X 40, SHCS, BZ	4
64	104567-001	WASHER, 6.4 X 12.5 X 1.6 CZ	4
65	103743-001	SCREW, M8 X 1.25 X 40 HHCS, 8.8 ST, CZ	2
68	108333-001	WASHER, 25 X 35 X 1 IN-BEIRNAL D	2
69	103442-001	CRANK, 24 X 29 X 2.5	2
70	110227-001	SHAFT, BEARING, BELL CRANK	2
71	110237-001	NUT, M6 X 1.0 X 10L, FLAT HEAD SOCKET, CZ, 12.9 STL	2
72	109608-001	SCREW, M6 X 1.0 X 12L, FLAT SHCS, CZ, 12.9 STL	2
73	103681-001	WASHER, 8 X 8 X 1.1, 9049 HP	2
77	101013-001	SCREW, M5 X 0.8 X 6, PAN HEAD, TYPE 1 CROSS RECESSED, CZ	2
78	101416-001	CABLE TIE SCREW MOUNT, MS	1

- NOTES:
- 1. TORQUE FASTENER TO 10 N-M (7 FT-LB)
  - 2. TORQUE FASTENER TO 23 N-M (17 FT-LB)
  - 3. TORQUE FASTENER TO 30 N-M (22 FT-LB)

4. OCTANE FITNESS ENGINEERING APPROVAL ON FIRST SAMPLES AND VENDOR INSPECTION REPORT REQUIRED PRIOR TO PRODUCTION FROM NEW OR REVISED TOOLING.

<small>ALL DIMENSIONS UNLESS OTHERWISE SPECIFIED ARE IN MILLIMETERS</small> <small>TOLERANCES ARE:</small> DECIMALS ANGLES <small>±0.25 ±0.13</small>	<b>PART DESCRIPTION:</b> ZRB BASE
<small>APPROVED:</small> <small>DATE:</small>	<small>REV:</small> 1 <small>DATE:</small> 11/02/20-001 <small>REV. 1</small>