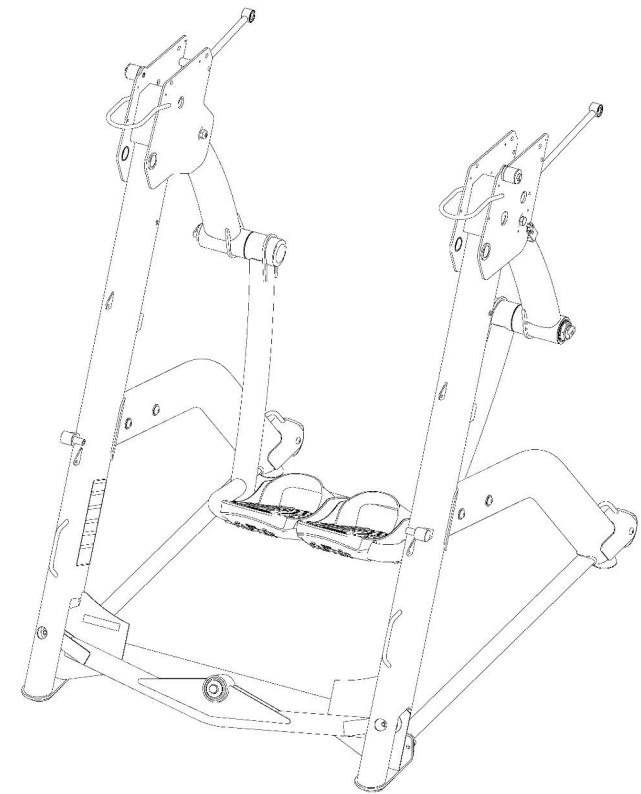
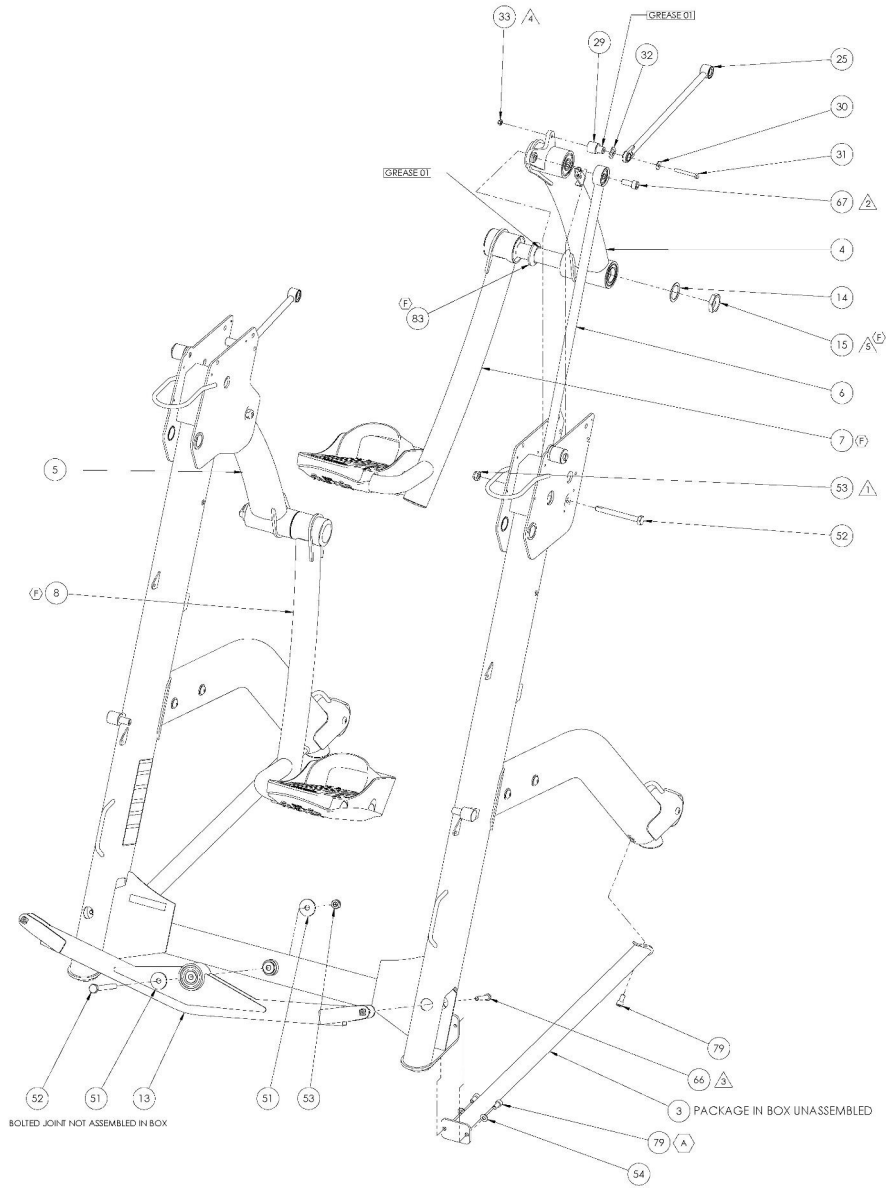


THE INFORMATION CONTAINED IN THIS DRAWING IS THE SOLE PROPERTY OF OCTANE FITNESS. ANY REPRODUCTION IN PART OR WHOLE WITHOUT THE WRITTEN PERMISSION OF OCTANE FITNESS IS PROHIBITED.

REV	DESCRIPTION	ECN #	DATE	ENG
-	See Sheet 1	-	-	-



ITEM NO.	PART NUMBER	DESCRIPTION	QTY
3	110209-001	WELDMENT, STRUT	2
4	110190-001	ASSEMBLY, UPPER LEG, RIGHT	1
5	110198-001	ASSEMBLY, UPPER LEG, LEFT	1
6	110767-001	ASSEMBLY, THIGH ARTICULATOR	2
7	113128-001	ASSEMBLY, LOWER LEG, RIGHT	1
8	113127-001	ASSEMBLY, LOWER LEG, LEFT	1
13	107590-001	ASSEMBLY, TRANSFER CROSSBAR	1
14	107719-001	WASHER, 30.0 X 40 X 1.5, STL, C2	2
15	107797-001	NUT, HEX, M30 X 1.5, THIN JAM	2
25	107748-001	ASSEMBLY, UPPER BODY LINKAGE	2
29	110614-001	SHAFT, ARM LINKAGE, 2RB	2
30	107850-001	WASHER, 18 X 24 X 1.5, C2 STL	2
31	110615-001	BOLT, M6 X 1.0 X 50, HEX HEAD, CLASS 10.9	2
32	103682-001	SPRING WASHER, 14MM, PLASTIC	2
33	103584-001	NUT, HEX, NYLON INSERT, M6 X 1, C2 CLASS 10	2
51	104689-001	WASHER, M10, HARDENED	2
52	107791-001	BOLT, M10 X 1.5 X 100, HEX HEAD, CLASS 12.9	3
53	103995-001	NUT, HEX, NYLON INSERT, M10 X 1.5, C2 CLASS 10	3
54	101029-001	WASHER, M8, 8.3 X 14.0 X 1.6, ST, BZ	18
66	101889-001	SCREW, M8 X 1.25 X 50 PHCS, 8.8 ST, C2	2
67	950006-010	9.18 X 11.4, M10 X 1.5 X 25.0L SHCS, BLACK ZINC, STL	2
79	950007-008	SCREW, M8 X 1.25 X 16.0L SHCS, BLACK ZINC, STL	6
83	111233-001	SPACER, INSET	2

NOTES:

- 1. TORQUE FASTENER TO 60 N-M (44 FT-LB)
- 2. TORQUE FASTENER TO 40 N-M (30 FT-LB)
- 3. TORQUE FASTENER TO 23 N-M (17 FT-LB)
- 4. TORQUE FASTENER TO 10 N-M (7.3 FT-LB)
- 5. TORQUE FASTENER TO 30 N-M (22 FT-LB)

6. OCTANE FITNESS ENGINEERING APPROVAL ON FIRST SAMPLES AND VENDOR INSPECTION REPORT REQUIRED PRIOR TO PRODUCTION FROM NEW OR REVISED TOOLING.

<small> OCTANE FITNESS 10000 W. 100TH AVE. SUITE 100 DENVER, CO 80231 TEL: 303.440.1111 FAX: 303.440.1112 WWW.OCTANEFITNESS.COM </small>	Part Description: TRB BASE
<small> APPROVED BY: [Signature] DATE: 5/20/2014 </small>	<small> PART NO.: 110240-001 REV: 1 </small>