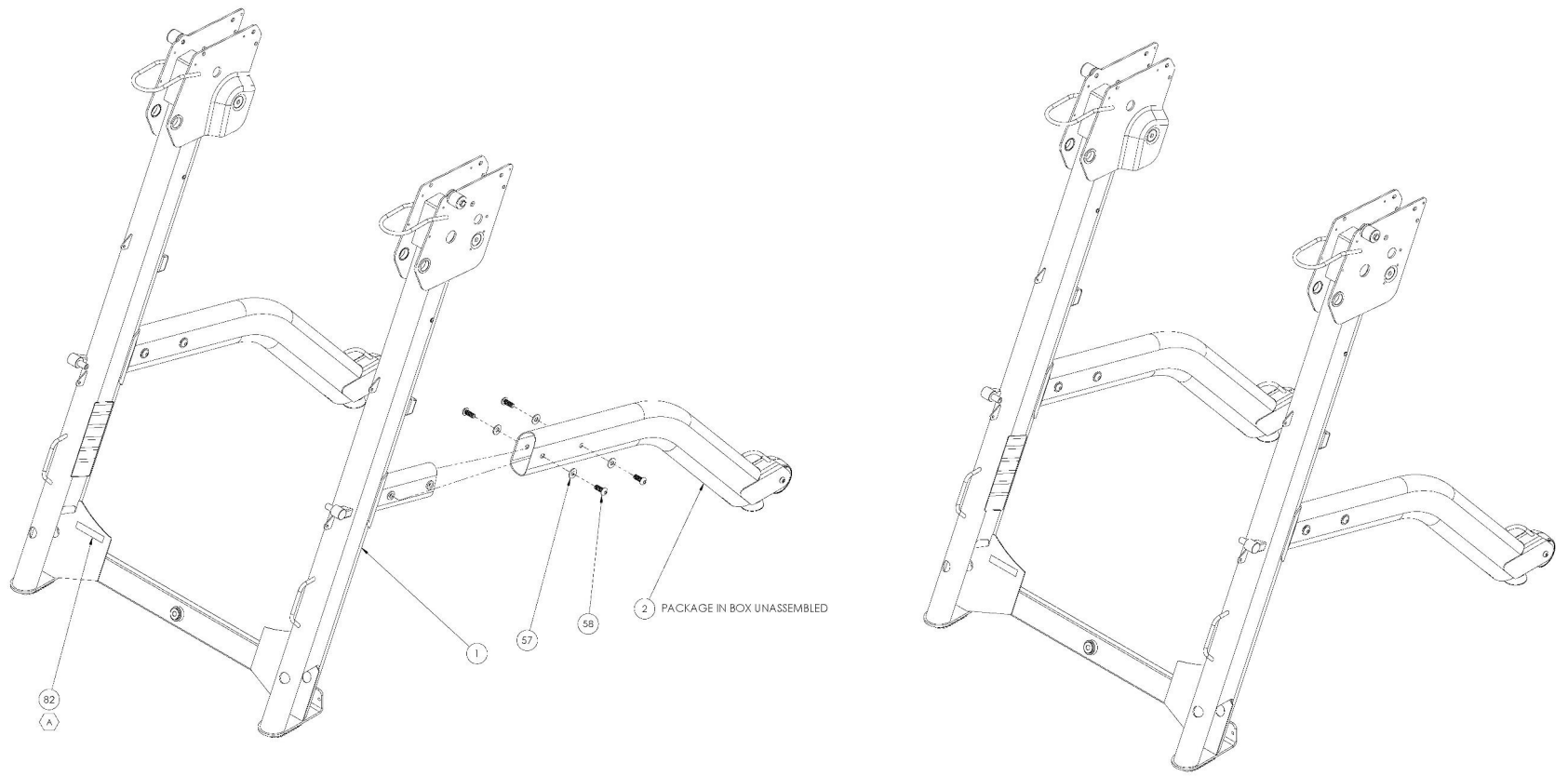


8
7
6
5
4
3
2
1
THE INFORMATION CONTAINED IN THIS DRAWING IS THE SOLE PROPERTY OF OCTANE FITNESS. ANY REPRODUCTION IN PART OR WHOLE WITHOUT THE WRITTEN PERMISSION OF OCTANE FITNESS IS PROHIBITED.

REV	DESCRIPTION	ECN #	DATE	ENG
-	See Sheet	-	-	-



ITEM NO.	PART NUMBER	DESCRIPTION	QTY
1	110216-001	ASSEMBLY, MAIN FRAME	1
2	110205-001	ASSEMBLY, BASE LEG	2
57	1020717-001	10 X 20 X 2, STEEL, C2	8
58	106302-001	BUTTON HEAD SOCKET CAP SCREW M10 X 1.5, 25 mm, CLASS 10.9 STL	8
82	110581-001	LABEL, PATENT PENDING, ENG & CHN	1

NOTES:

- OCTANE FITNESS ENGINEERING APPROVAL ON FIRST SAMPLES AND VENDOR INSPECTION REPORT REQUIRED PRIOR TO PRODUCTION FROM NEW OR REVISED TOOLING.

<small>DO NOT SCALE DRAWING</small> <small>ALL DIMENSIONS UNLESS OTHERWISE SPECIFIED ARE IN MILLIMETERS</small>		OCTANE FITNESS <i>Put Your Life</i> <small>Part Description</small> TRB BASE	
<small>TOLERANCES ARE:</small> DECIMALS ANGLES .05 (0.0025) (0.0001) .0001 (0.0001) (0.0001)	<small>APPROVED:</small> DATE: 5/10/2014	<small>REV. NO.:</small> 110240-001	<small>REV.:</small> 1