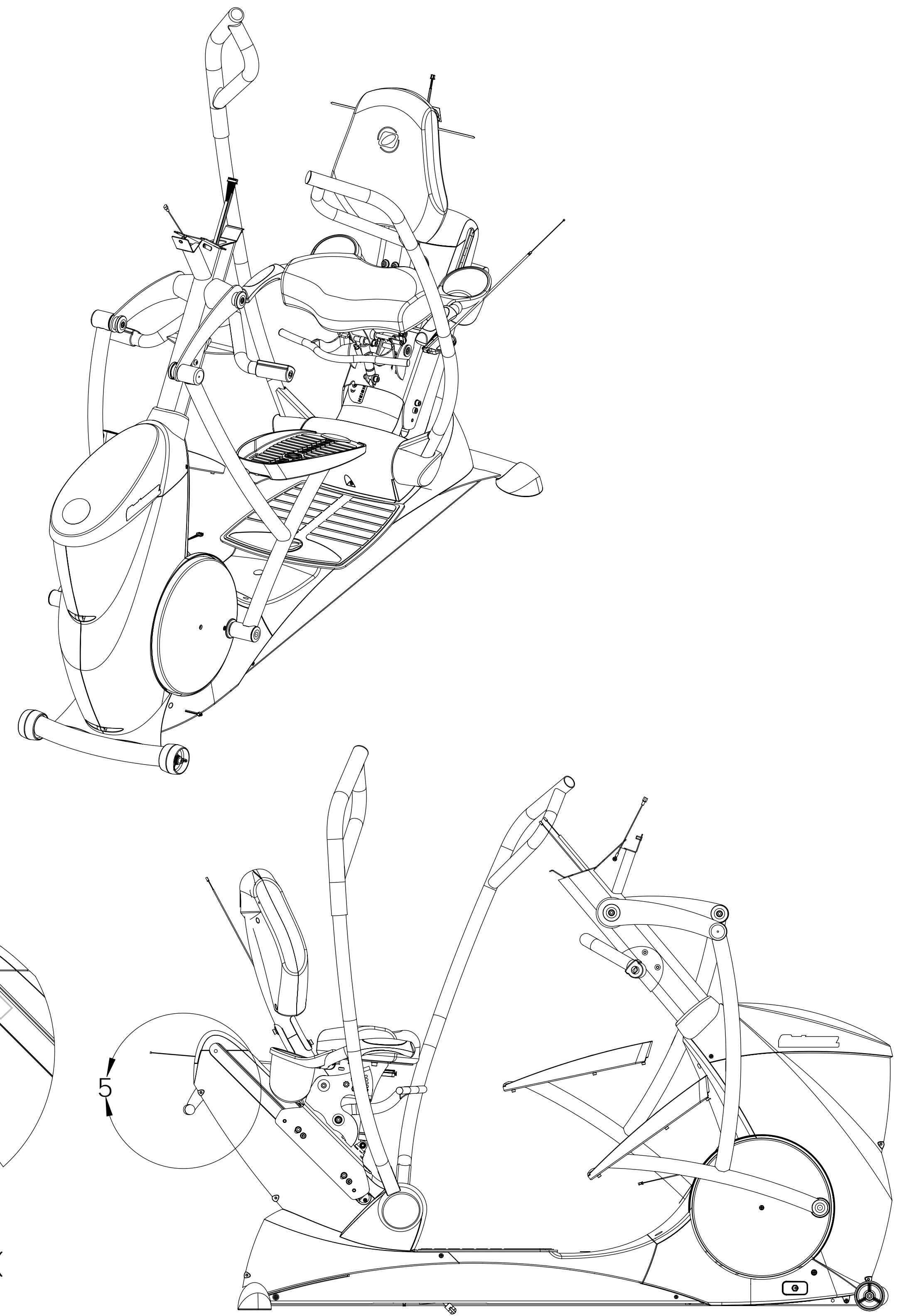
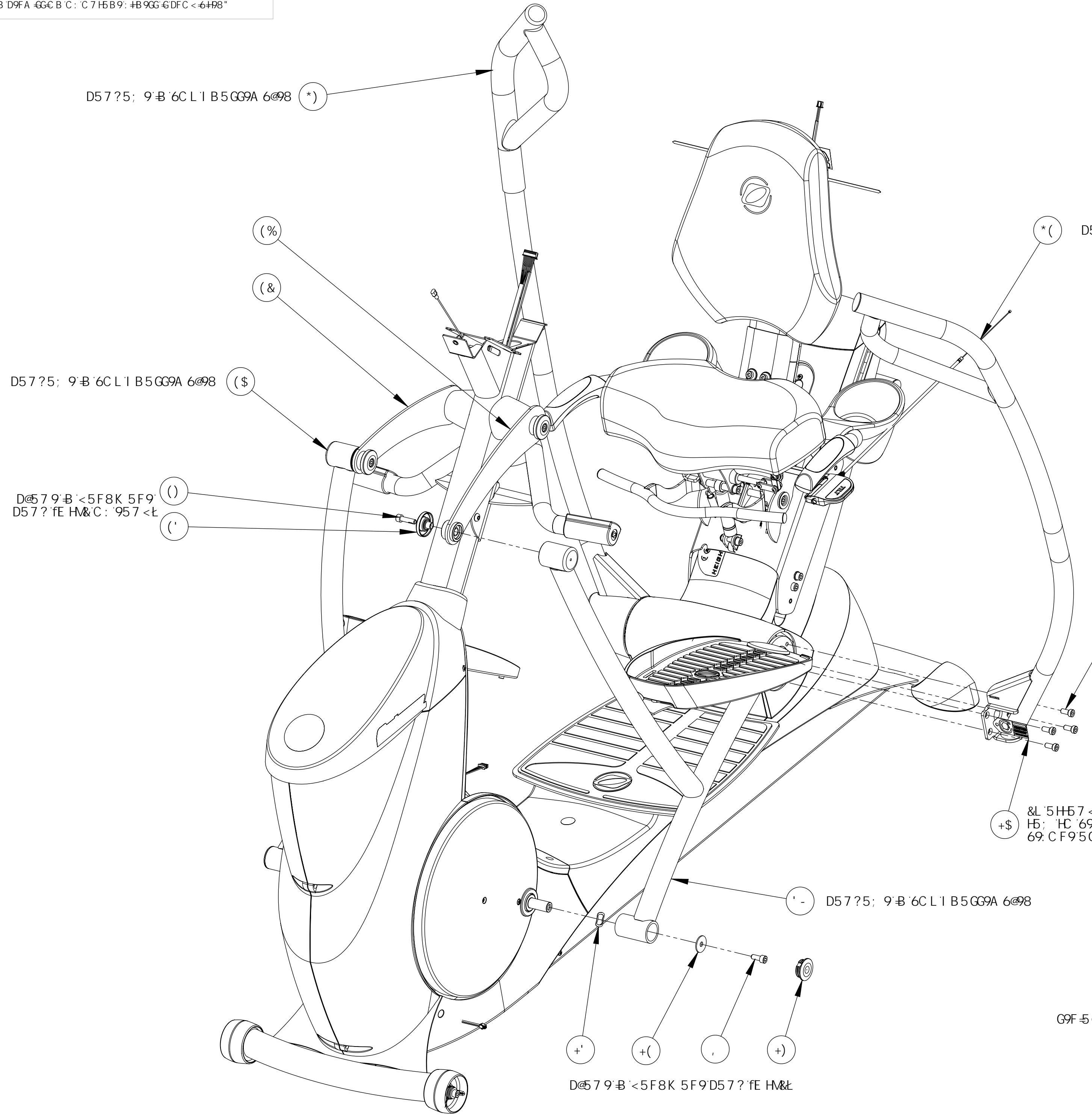


H:9 B: CFA 5HC B 7CBH5 B98 B H:6 BF5K B: 6 H:9 CC @DFCD9FM  
 C: C7HB9: #B9G 5BMF9DFC817HEB B D5FHC F K <C @9K #C1H  
 H:9K FHHB D9A GGC B C: C7HB9: #B9G GDFC <6H8

F9J	89G7 F DHC B	97 B	8519	9B:
%	F995 G9: CF DFC HC MD9		(#885%)(	DFG
5	F995 G9: CF DFC B1 7 HC B	\$\$\$SS159) S8	#8885%(	DFG
6	G: H% 5 @ B98 BC H8G G: H% 8 9 @ B98 BC H8G F9A 5 B B: FCA DF9J 4:1 GJ 9FGC B	\$\$\$SS159) ()	%8885#85%(	DFG
:	7 < 5B: 9HC 7 \$ 695FB:	SS8' - \$	(# \$885%	F5<



#PA BC"	D5FH B1A 69F	89G7 F DHC B	G:99H %FE HM
,	%S%&-) !\$\$%	G7 F9K ZA , L %8) L' &S"@G< 7 Gz 6@5 7 ? NB7 z%&- GH@	&
' -	%S- &S!\$\$%	5G39A 6@M @J 9F ZD98 5 @ @H	%
(\$	%S- &S*!\$\$%	5G39A 6@M @J 9F ZD98 5 @F & <H	%
(%	%S- &S, !\$\$%	5G39A 6@M1 DD9F @B?Z@H	%
(&	%S- &S!\$\$%	5G39A 6@M1 DD9F @B?Z@H	%
('	%S- &S!\$\$%	7 5Dz1 DD9F @B?	(
()	%S) +%!\$\$%	G7 F9K ZA , L %8) L' "\$S"@G< 7 Gz GH5 B @CGGH9@	(
**	%S- &S!\$\$%	7 5Dz5FA D@CH	&
*(	%S- &S!\$\$%	5G39A 6@M @H A I @H: F DZ1 F*	%
*)	%S- &S!\$\$%	5G39A 6@M F & <HA I @H: F DZ1 F*	%
+\$	%S' \$' +!\$\$%	H5: ZH & <H@B G971 F9@M' \$ ZH'Vg'	&
+'	-\$\$\$\$(!\$\$%	K 5G< 9F ZK 5J 9Z% "" L' & * \$ L ""	&
+(	%S&% &\$\$%	K 5G< 9F Z, " L' \$ L' & 7N	&
+)	%S- & \$!\$\$%	7 5Dz @C K 9F D98 5 @ @J 9F < 1 6	&
++	%S\$+ )!\$\$%	G7 F9K ZA , !%8) !% " G< 7 Gz GH5 6N	

BC H8G  
 % F & <H5FA 5B8 D98 5 @ @J 9F 5F9 5G9A 6@98 B H:9G5A 9'  
 A 5BB9F 5GH 9 @H  
 & C 7HB9: #B9G 9B: B99F B: 5DDFC J 5@CB  
 : #GHG5A D@G 5B8 J 9B8CF BGD97 HC B F9DC FH  
 F9E I #98 DF C F HC DFC B1 7HC B: FCA B9K C F  
 F9J @98 HC C @B:  
 \*\* 758: 9B9F5H98 A C89@ 5B8A 9BGC BGBC HC B H:G  
 DF BHC C1 @ 699LH57H98: FCA H:9758 A C89@ 758  
 A C89@ G8F @B: 8C71 A 9BH  
 G DD@9F A I GHG DD@M5 897 @5F5HC B C: 7CA D@5B 79  
 K H: 9L FC D95B 7C1 B7 @8 F97 HJ 9 &S&#- ) #97 ZCB  
 H:9F9GF 7HC B C: I G9C: 79F5 B <5N5F8C1 G  
 G 6G5B 79GFC <G"

5DD@7 56@C 7H5B9: #B9G G97 @ 7 5HC BG	
G97 BC"	G97 @ 7 5HC B H@9
C: G \$\$\$	69@H@B GC B F9E I F9A 9BH
C: G \$\$\$*	5DD@7 5HC B C: @C 7H@9: CF 695F B: F9@B HC B

1 B98G C H 9K @9 G97 @ 89	758: 9B9F5H98 B: J	<b>C7H5B9: #B9G</b>
4A 9@C B C H 9K @9 G97 @ 89	8C B C H A 5B 5M H D S H 9	LF * 65 G9Z &S%
153ALB@C 99A4@: 58 88C	7 58 98	
2 L L 25%	8519	
3 L L 25%	8519	
4 L L 25%	8519	
5 L L 25%	8519	
6 L L 25%	8519	
7 L L 25%	8519	
8 L L 25%	8519	
9 L L 25%	8519	
10 L L 25%	8519	
11 L L 25%	8519	
12 L L 25%	8519	
13 L L 25%	8519	
14 L L 25%	8519	
15 L L 25%	8519	
16 L L 25%	8519	
17 L L 25%	8519	
18 L L 25%	8519	
19 L L 25%	8519	
20 L L 25%	8519	
21 L L 25%	8519	
22 L L 25%	8519	
23 L L 25%	8519	
24 L L 25%	8519	
25 L L 25%	8519	
26 L L 25%	8519	
27 L L 25%	8519	
28 L L 25%	8519	
29 L L 25%	8519	
30 L L 25%	8519	
31 L L 25%	8519	
32 L L 25%	8519	
33 L L 25%	8519	
34 L L 25%	8519	
35 L L 25%	8519	
36 L L 25%	8519	
37 L L 25%	8519	
38 L L 25%	8519	
39 L L 25%	8519	
40 L L 25%	8519	
41 L L 25%	8519	
42 L L 25%	8519	
43 L L 25%	8519	
44 L L 25%	8519	
45 L L 25%	8519	
46 L L 25%	8519	
47 L L 25%	8519	
48 L L 25%	8519	
49 L L 25%	8519	
50 L L 25%	8519	



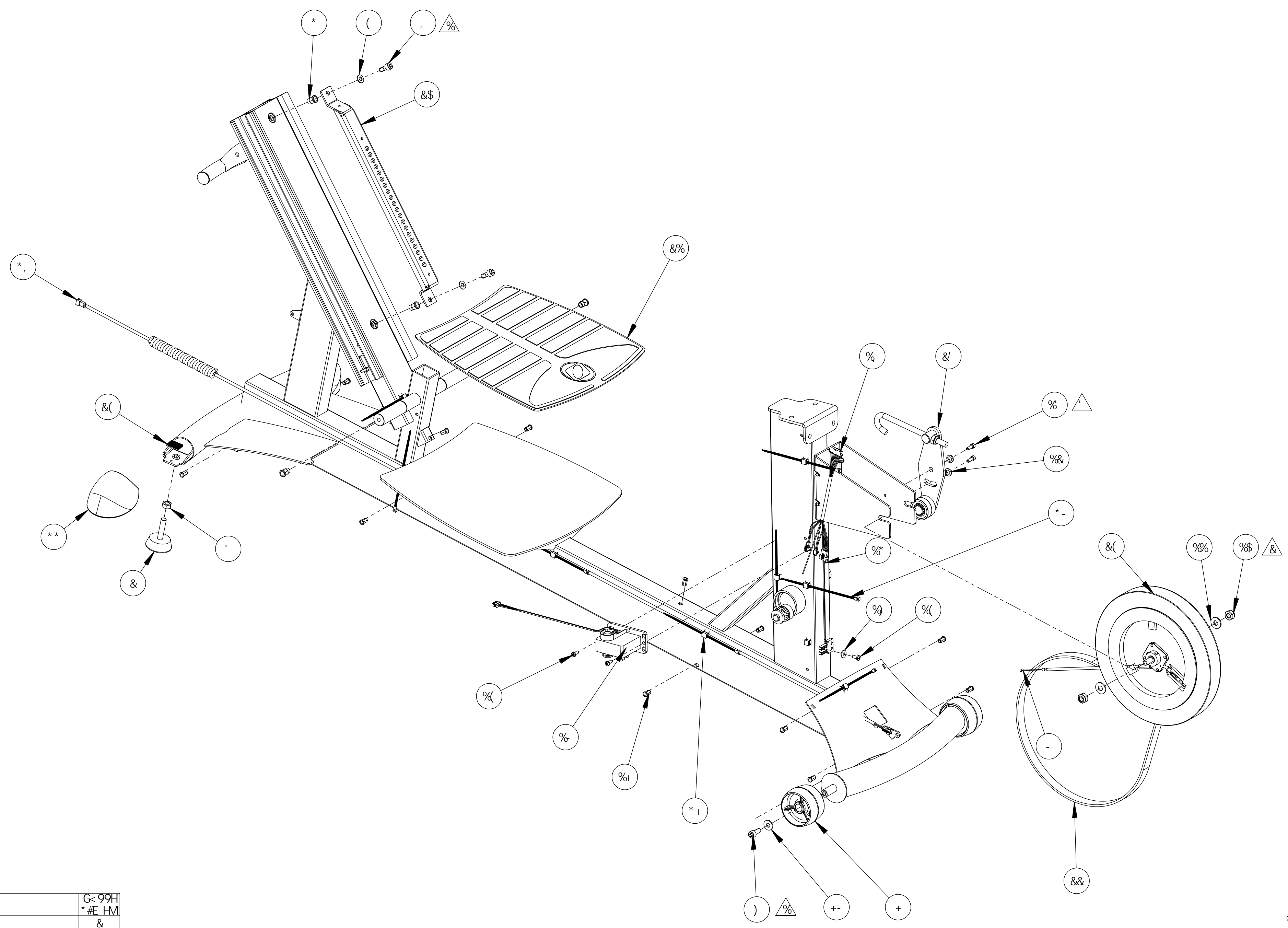






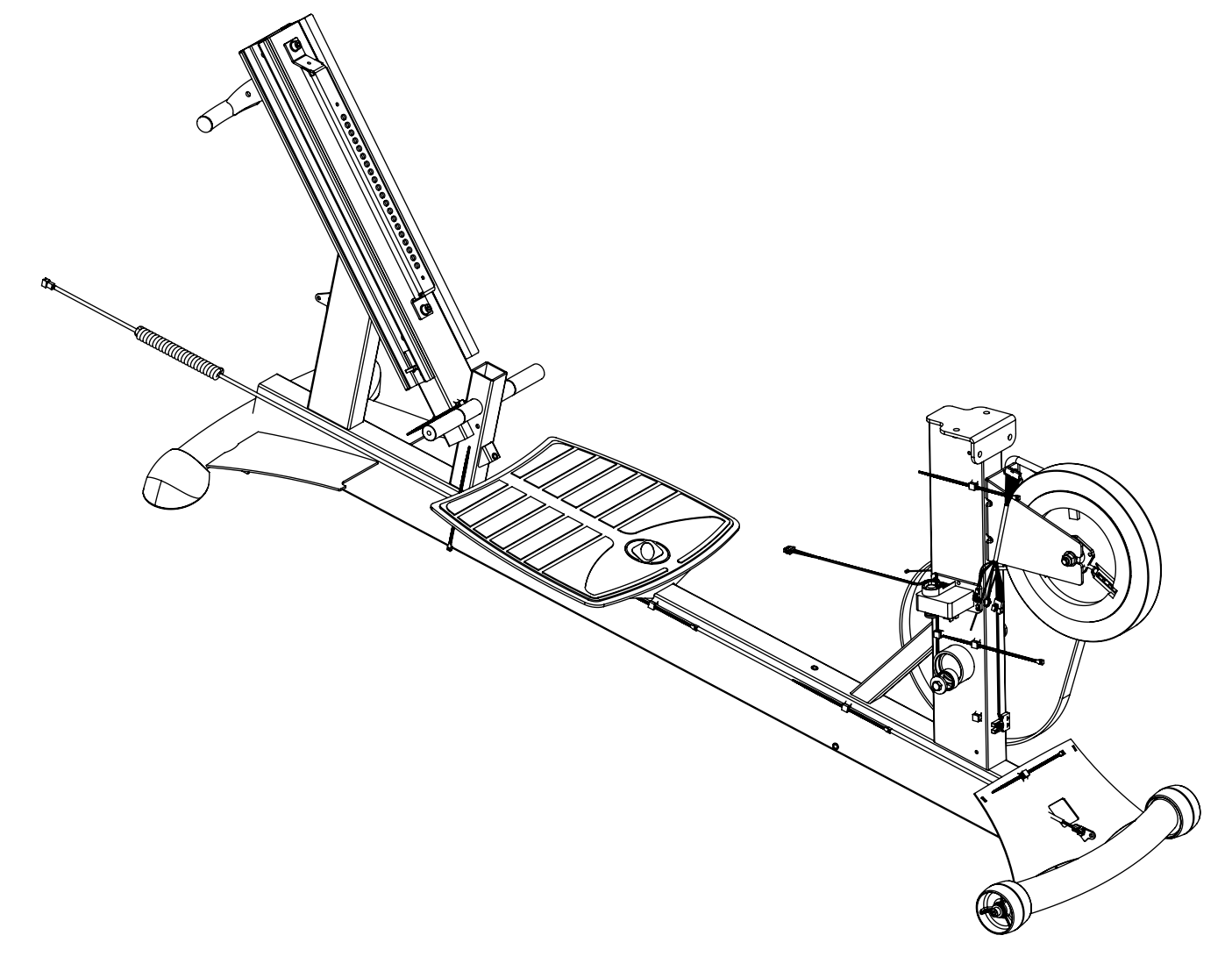
H:9 B: CFA 5HC B 7CBH5 B98 B H:6 8F5K B: 6 H:9 CC @DFCD9FM  
 C: C7H5B9: #B9G5 5BMF9DFC81 7HC B B D5FHCF K <C @9K #C1H  
 H:9K FHH8 D9A GGC B C: C7H5B9: #B9G5 GDFC <6H8

F9J	89G7 F-DHC B	97 C	85H9	9B:
I	GY GYYR6	I	I	I



#9A BC "	D5FH BIA 69F	89G7 F-DHC B	G:99H *#E HM
&	- \$\$\$% !\$\$%	@J 9@FZ) SA A 8-5A 9HF	&
'	-) \$\$' , !\$\$-	6% "&" (%A Z < 9L BI HZGM9 %ZA %S L %) Z6e5 7 ? NB 7 ZGH@	&
(	%S%&- !\$\$%	K 5G< 9F ZA , Z, " L % " \$ L % * ZGH6N	%S
)	%S' &S!\$\$%	G7 F9K ZA , L %& L &S" \$@G< 7 GZGH5-B @9CGH99@	&
*	%S% + !\$\$%	F B I HZ6F5 GZ A , L %&	(
+	%S- %!\$\$%	FC @9F ZHF5BGDC FHZ @ < H: F5M	&
.	%S%&- !\$\$%	G7 F9K ZA , L %& L &S" \$@G< 7 GZ6e5 7 ? NB 7 Z%&- GH@	(
-	%S\$+ %\$\$%	5G9A 6@M 6F5? 9 7 56@	%
%S	-) \$\$' (*!\$\$-	BI HZ < 9L ZBM@C B B G9F HZGHZA %S	&
%%	%S\$+ %!\$\$%	%S L & L &ZGH9@ 7 N	&
%&	%S\$ (+!\$\$%	GD57 9FZ: @5 B: 9H@G@ B 9F	&
%	%S%&- +!\$\$%	G7 F9K ZA ) L \$, L % " \$@G< 7 GZ6e5 7 ? NB 7 Z%&- GHZ GDF B: K 5G< 9F	&
%(&	%S\$) (!\$\$%	G7 F9K ZA ) L \$, L %& Z D5B < 95 8 ZHMD9 %7 FC GG F 97 9CG98 Z6N	'
%)	%S\$ ++ !\$\$%	) " L % ) ZGH9@ 6N	%
%&	%S\$+ %!\$\$%	G9B GC FZ < 5 @ @: 97 H	%
%+	- \$\$\$' %\$\$%	F B I HZ6F5 GZ A ) L \$,	%&
%	%S& ' +!\$\$%	7 56@ 5G9A 6@M A 5-B	%
%&	%S\$ (+!\$\$%	G9F J C A C H C FZ 98 8M7 I FF9B H6F5? 9	%
%&	%S& %!\$\$%	F57 ZG95 HG@ 8 9	%
%&	%S& & !\$\$%	HF 95 B Z D@ H C F A	%
%&	%S& \$+!\$\$%	69@ HZ 8 F @ 9Z, F 6Z) \$\$>	%
%&	%S& \$+!\$\$%	5G9A @M 69@H@B GC B 9F	%
%(&	%S\$ (+!\$\$%	6F5? 9Z &+ (C 8Z * D9FA A 5: B 9H@Z GG	%
%(&	%S\$ \$!\$\$%	81 5 @ @C 7 ? Z 8) L &S' (!\$\$	&
**	%S- && !\$\$%	5G9A 6@M 9B 8 7 5 D	&
*+	%S%& \$!\$\$%	5B7 < C F Z, %7 56@ H9Z * * & < C @	-
*	%S' \$' %\$\$%	< F 7 56@ 65 G9 6C L	%
*-	%S% - (!\$\$%	H9Z 7 56@ ZK ' * * L @ @)	%
+-	%S\$ ' \$& !\$\$%	K 5G< 9F ZA , Z, " L &S L &ZGH5-B @9CGH99@	&

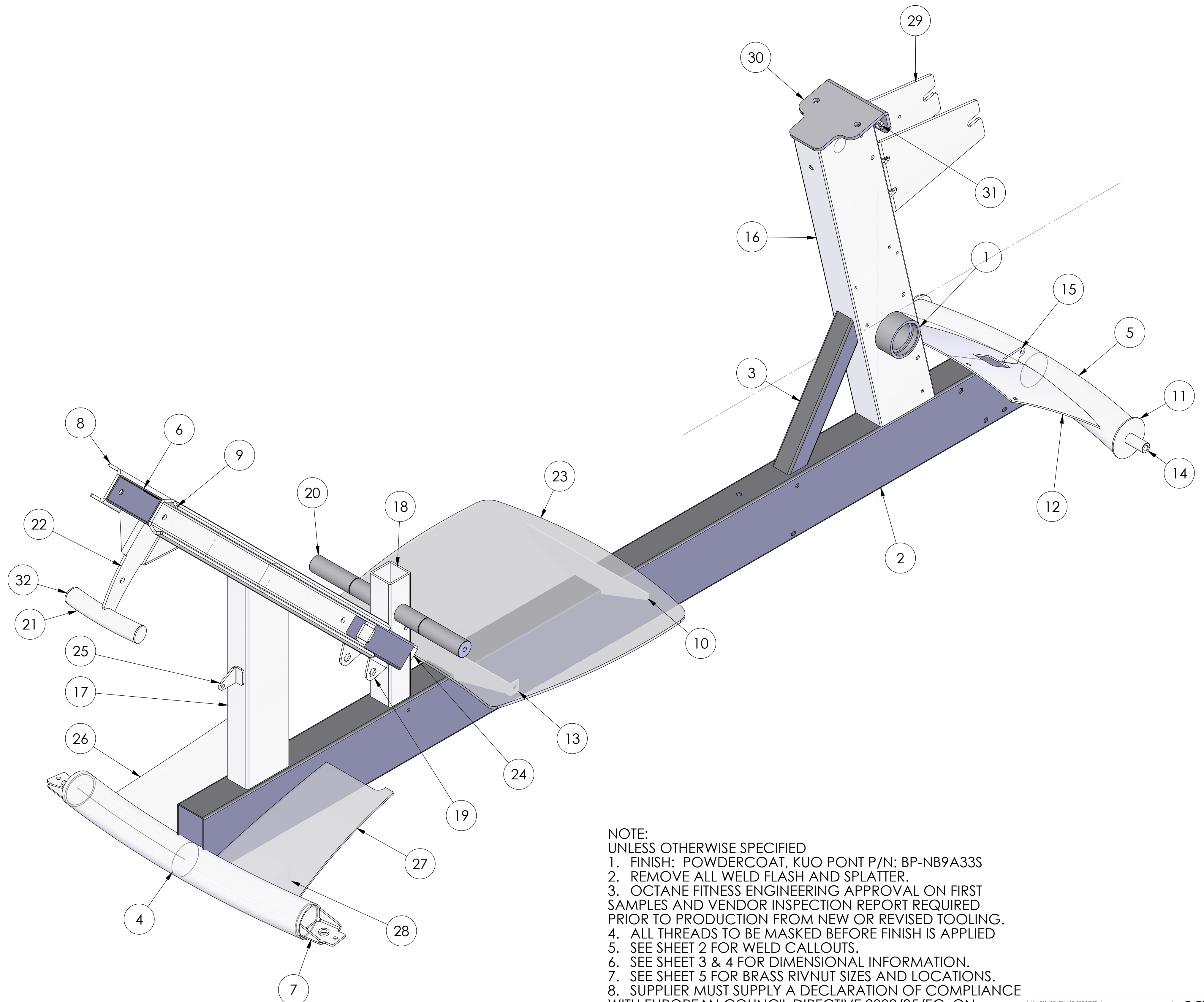
BC HPG  
 △ HC FE I 9: 5GH9B9F HC & BIA fl@: H@eL  
 △ HC FE I 9: 5GH9B9F HC () BIA fl' : H@eL  
 ( HC FE I 9: 5GH9B9F HC \* BIA fl("): H@eL  
 C 7H5B9: #B9G5 5BMF9DFC81 7HC B B D5FHCF K <C @9K #C1H  
 : #GHG5A D@G5B8 J 9B8CF BGD97 HC B F9DC FH  
 F9E I #98 DF C F HC DFC 81 7HC B: FCA B9K C F  
 F9J @98 HC C @B: "  
 )" 7 58: 9B9F5H@8 A C 89@ 5BM8-A 9BGC BGC BHC B H: 6  
 DF BHG< C I @ 69 9LH57H@8: FCA H: 97 58 A C 89@ 7 58  
 A C 89@ 68F J @B: 8C 7 I A 9B H  
 \*\* G DD@9F A I GHG DD@M5 897 @5F5HC B C: 7 C A D@5B 7 9  
 K H: 9I FC D95 B 7 C I B 7 @8 F 97 HJ 9 &S\$&#) #97 ZCB  
 H: 9F 9GH 7 HC B C: I G9C: 7 9F H5-B < 5N5F8C I G  
 G 6GH5B 7 9G ffc < G'



1 B9G7 F-DHC B	2 85H9	3 97 C	4 89G7 F-DHC B
5 9B:	6 GY GYYR6	7 I	8 I
9 I	10 I	11 I	12 I

THE INFORMATION CONTAINED IN THIS DRAWING IS THE SOLE PROPERTY OF OCTANE FITNESS. ANY REPRODUCTION IN PART OR WHOLE WITHOUT THE WRITTEN PERMISSION OF OCTANE FITNESS IS PROHIBITED.

REV	DESCRIPTION	ECN #	DATE	ENG
T	RELEASE FOR PROTOTYPE		3/31/2014	PKS
A	RELEASE FOR PRODUCTION	001-00-015502	5/20/2014	PKS



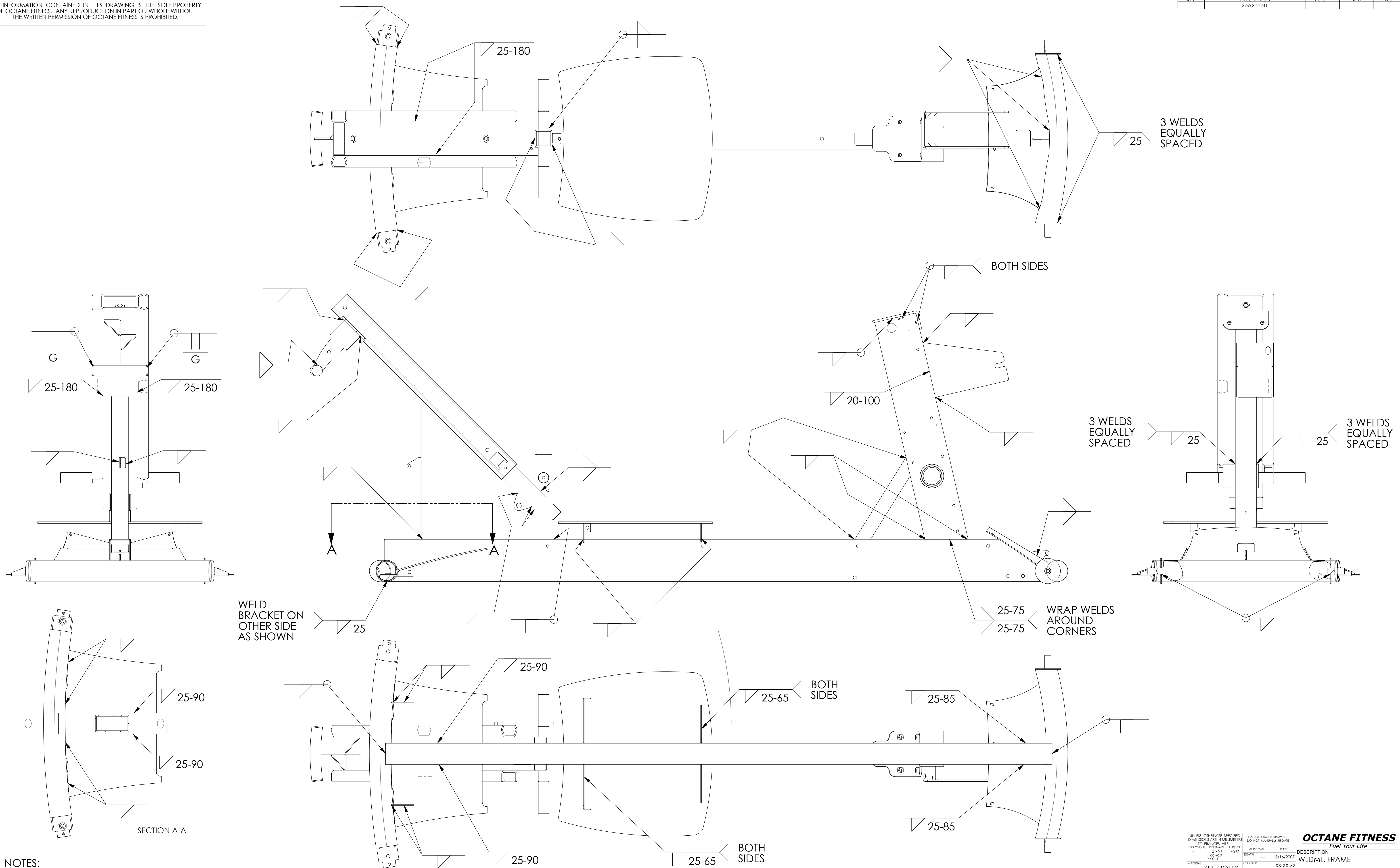
ITEM NO.	QTY.	PART NO.	DESCRIPTION
1	1	101489-001	HOUSING, CRANK BEARING
2	1	101613-001	TUBE, CENTER FRAME
3	1	101482-001	TUBE, MAST SUPPORT
4	1	102150-001	TUBE, REAR STABILIZER
5	1	102144-001	TUBE, FRONT STABILIZER
6	1	102147-001	TUBE, SEAT SLIDE
7	2	102149-001	BRACKET, LEVELER MOUNT
8	1	102156-001	CHANNEL, SLIDE, FLAT
9	1	102157-001	CHANNEL, SLIDE, V-GROOVE
10	1	102158-001	PLATE, PLATFORM SUPPORT, FRONT
11	2	102161-001	PLATE, TRANSPORT WHEEL
12	1	102163-001	PLATE, FRONT STABILIZER
13	1	102164-001	PLATE, PLATFORM SUPPORT, REAR
14	2	102166-001	AXLE, TRANSPORT WHEEL
15	1	102252-001	PLATE, SHROUD MOUNT
16	1	101480-001	TUBE, MAST
17	1	102146-001	TUBE, REAR SUPPORT
18	1	102510-001	TUBE, ARM PIVOT SUPPORT
19	1	106222-001	BRACKET, GAS SPRING / DAMPER, LOWER
20	1	101486-001	SHAFT, ARM PIVOT
21	1	102333-001	HANDLE, TRANSPORT
22	1	102332-001	BRACKET, TRANSPORT HANDLE
23	1	102554-001	PLATE, PLATFORM
24	1	102548-001	BRACKET, TOP SHROUD MOUNT
25	1	102553-001	BRACKET, REAR SHROUD MOUNT
26	1	102551-001	PLATE, LEFT REAR FRAME
27	1	102552-001	PLATE, RIGHT REAR FRAME
28	2	102559-001	PLATE, SIDE PANEL MOUNT
29	1	102154-001	BRACKET, BRAKE MOUNT
30	1	102588-001	BRACKET, FRAME TO MAST
31	4	100452-001	NUT, WELD, M8 X 1.25
32	2	102704-001	PLATE, HANDLE CAP

NOTE:  
 UNLESS OTHERWISE SPECIFIED  
 1. FINISH: POWDERCOAT, KUO PONT P/N: BP-NB9A33S  
 2. REMOVE ALL WELD FLASH AND SPLATTER.  
 3. OCTANE FITNESS ENGINEERING APPROVAL ON FIRST SAMPLES AND VENDOR INSPECTION REPORT REQUIRED PRIOR TO PRODUCTION FROM NEW OR REVISED TOOLING.  
 4. ALL THREADS TO BE MASKED BEFORE FINISH IS APPLIED  
 5. SEE SHEET 2 FOR WELD CALLOUTS.  
 6. SEE SHEET 3 & 4 FOR DIMENSIONAL INFORMATION.  
 7. SEE SHEET 5 FOR BRASS RIVNUT SIZES AND LOCATIONS.  
 8. SUPPLIER MUST SUPPLY A DECLARATION OF COMPLIANCE WITH EUROPEAN COUNCIL DIRECTIVE 2002/95/EC, ON THE RESTRICTION OF USE OF CERTAIN HAZARDOUS SUBSTANCES (RoHS).  
 9. SUPPLIER MUST SUPPLY A TEST REPORT CONFIRMING PAH COMPLIANCE PER EN 1186ff CATEGORY 3

UNLESS OTHERWISE SPECIFIED DIMENSIONS ARE IN MILLIMETERS TOLERANCES ARE:		CAD GENERATED DRAWING, DO NOT MANUALLY UPDATE		OCTANE FITNESS Fuel Your Life	
FRACIONS	DIGITALS	APPROVALS	DATE	DESCRIPTION	
+	X ±0.5 XXX ±0.1	---	3/16/2007	WLDMT, FRAME	
SEE NOTES		CHECKED	---	XX-XX-XX	
SEE NOTES		RESP ENG	---	XX-XX-XX	
SEE NOTES		MFG ENG	---	XX-XX-XX	
DO NOT SCALE DRAWING		QUAL ENG	---	XX-XX-XX	

THE INFORMATION CONTAINED IN THIS DRAWING IS THE SOLE PROPERTY OF OCTANE FITNESS. ANY REPRODUCTION IN PART OR WHOLE WITHOUT THE WRITTEN PERMISSION OF OCTANE FITNESS IS PROHIBITED.

REV	DESCRIPTION	ECO #	DATE	ENG
-	See Sheet 1	-	-	-



- NOTES:  
 1. REMOVE ALL WELD FLASH AND SPATTER  
 2. ALL WELDS ARE 3MM SIZE UNLESS OTHERWISE SPECIFIED.

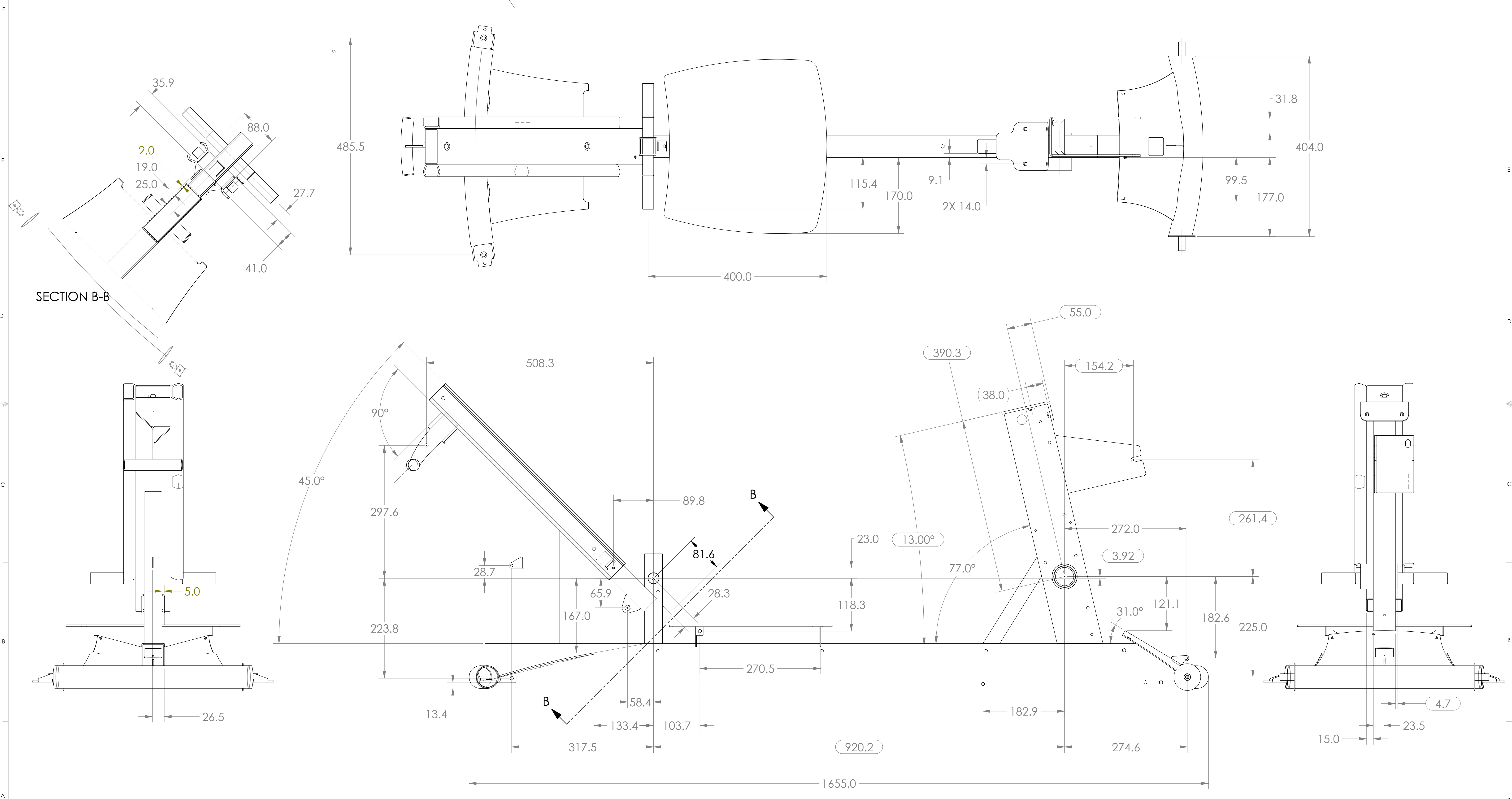
UNLESS OTHERWISE SPECIFIED DIMENSIONS ARE IN MILLIMETERS		CAD GENERATED DRAWING, DO NOT MANUALLY UPDATE		OCTANE FITNESS Fuel Your Life	
TOLERANCES ARE:		APPROVALS	DATE	DESCRIPTION	
FRACTIONS: DECIMALS: ANGLES:			3/16/2007	WLDMT, FRAME	
+ X ±0.5	±0.5*	CHECKED		XX-XX-XX	
XXX ±0.1		DESIGNED		XX-XX-XX	
		SEEN		XX-XX-XX	
SEE NOTES		MANUFACTURED		XX-XX-XX	
SEE NOTES		QUALITY ENGINEER		XX-XX-XX	
DO NOT SCALE DRAWING				XX-XX-XX	

REV	DESCRIPTION	ECO #	DATE	ENG
-	See Sheet 1	-	-	-

DWG. NO. 109203-001  
 SHEET 1 OF 1

THE INFORMATION CONTAINED IN THIS DRAWING IS THE SOLE PROPERTY OF OCTANE FITNESS. ANY REPRODUCTION IN PART OR WHOLE WITHOUT THE WRITTEN PERMISSION OF OCTANE FITNESS IS PROHIBITED.

REV	DESCRIPTION	ECO #	DATE	ENG
-	See Sheet1	-	-	-

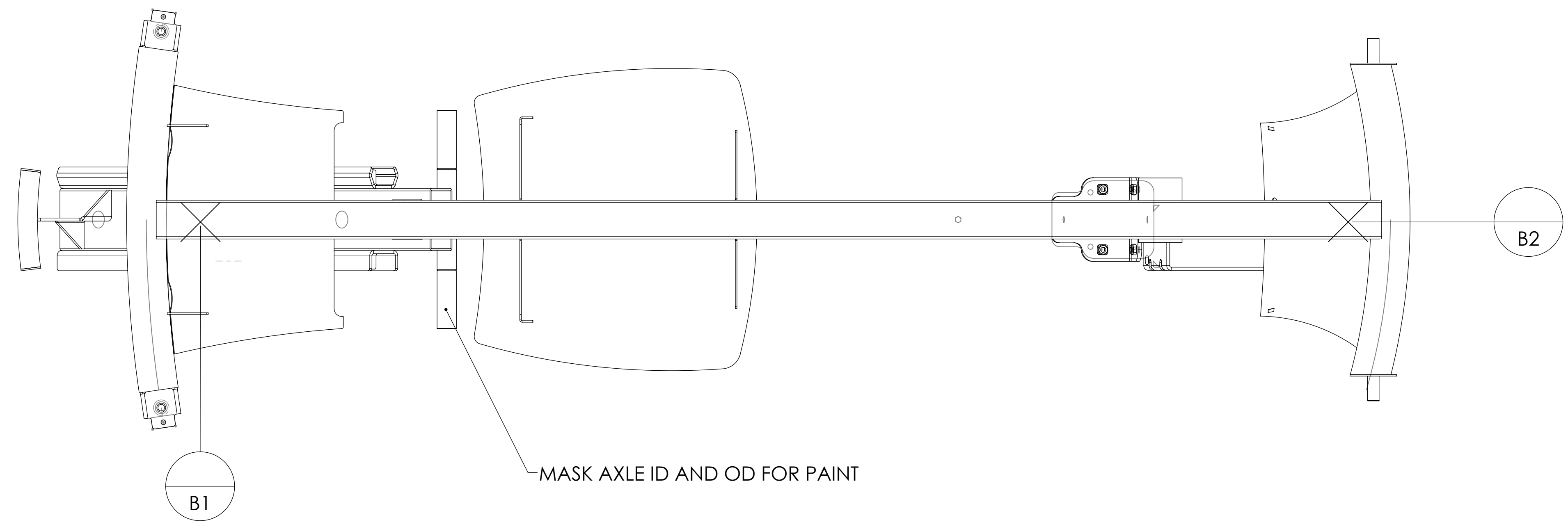
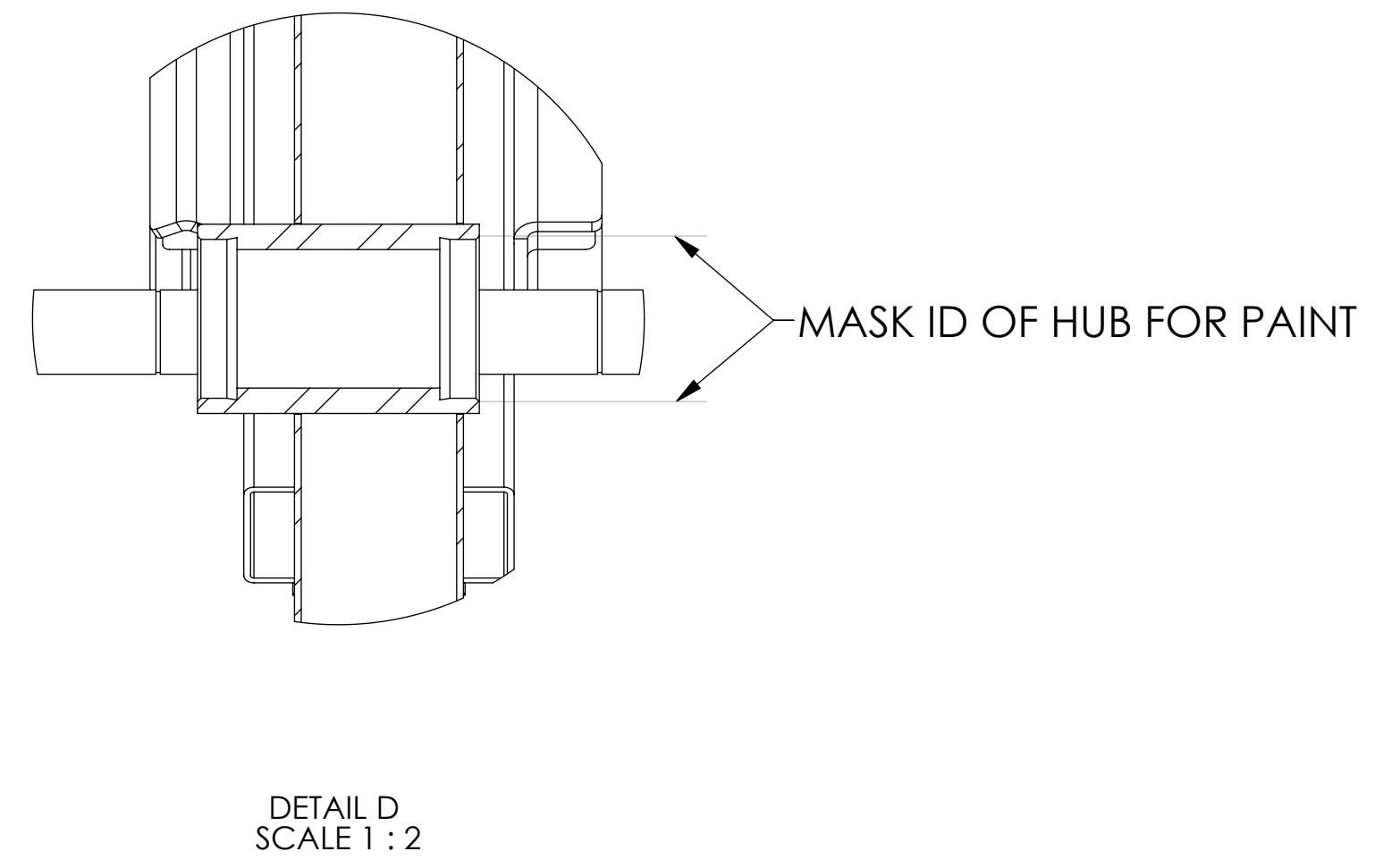
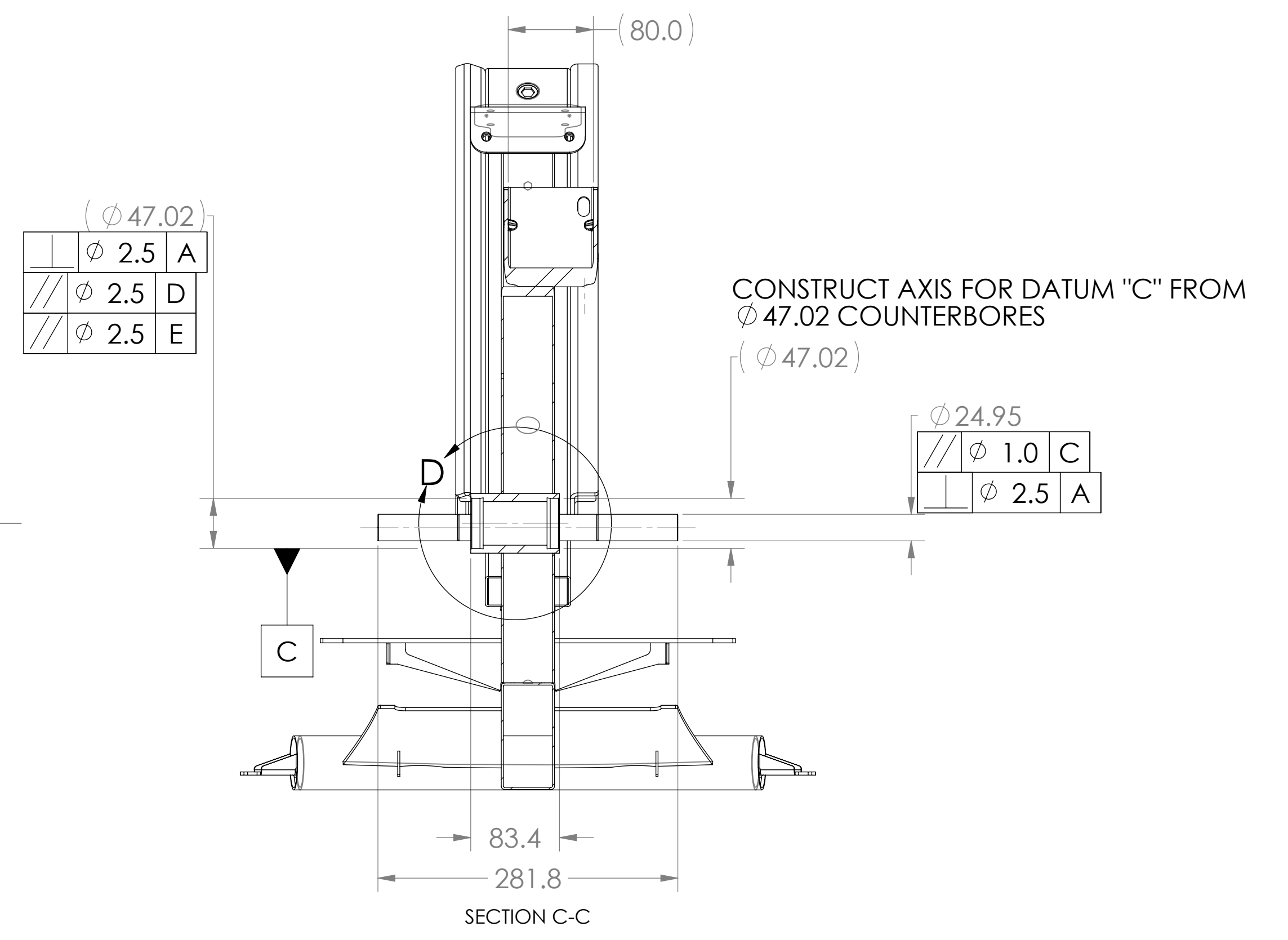
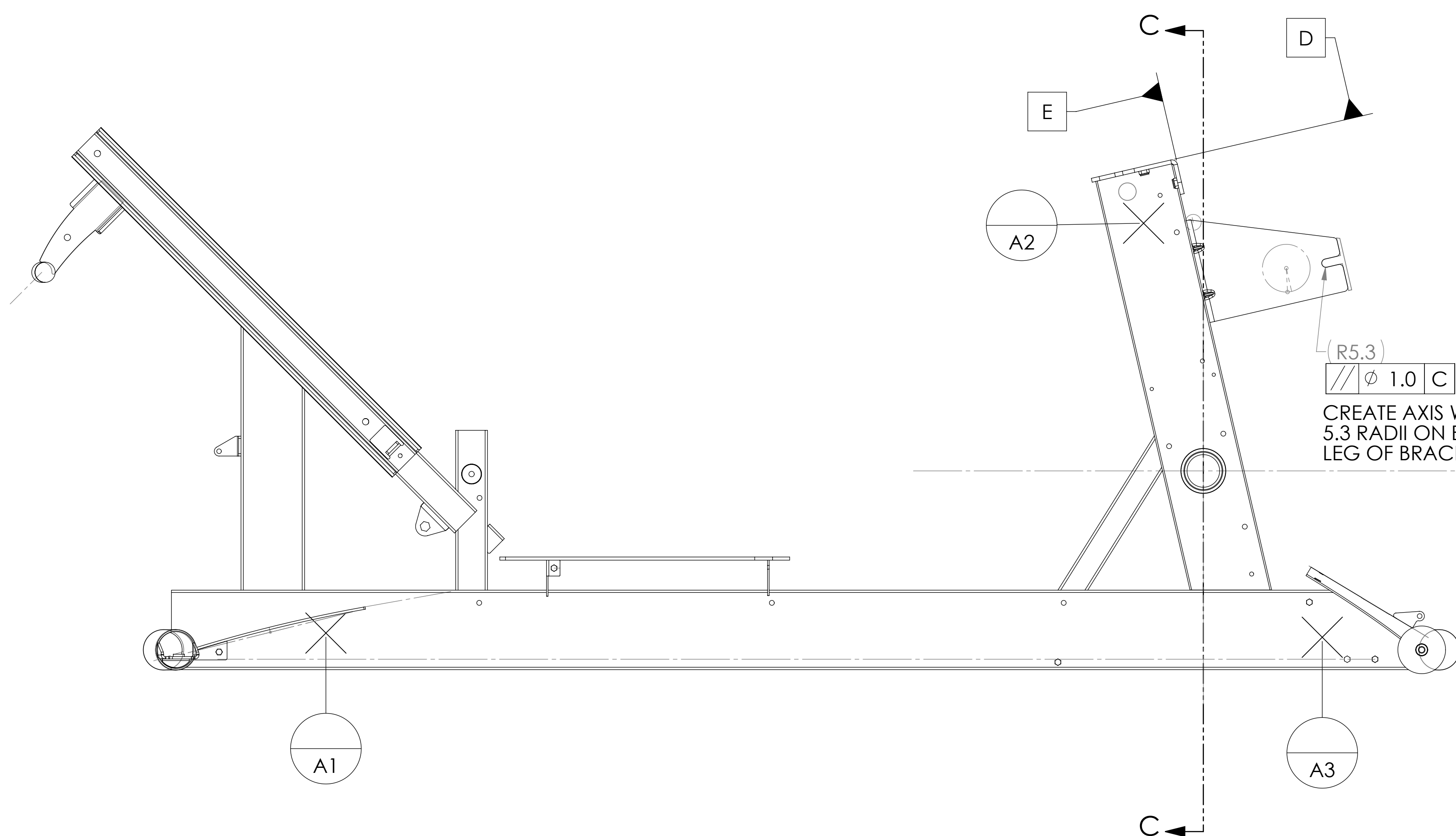


NOTES:  
 1. OCTANE FITNESS ENGINEERING APPROVAL ON FIRST SAMPLES AND VENDOR INSPECTION REPORT REQUIRED PRIOR TO PRODUCTION FROM NEW OR REVISED TOOLING.

UNLESS OTHERWISE SPECIFIED DIMENSIONS ARE IN MILLIMETERS TOLERANCES ARE: FRACTIONS DECIMALS ANGLES + .X ±0.5 ±0.5° XXX ±0.1	CAD GENERATED DRAWING, DO NOT MANUALLY UPDATE APPROVALS DATE DRAWN 3/16/2007	<b>OCTANE FITNESS</b> Fuel Your Life
MATERIAL SEE NOTES	CHECKED XX-XX-XX RESP ENG XX-XX-XX	DESCRIPTION WLDMT, FRAME
FINISH SEE NOTES	MFG ENG XX-XX-XX QUAL ENG XX-XX-XX	DWG. NO. 109203-001 SCALE 1:1
DO NOT SCALE DRAWING		REV. A SHEET 1 OF 1

THE INFORMATION CONTAINED IN THIS DRAWING IS THE SOLE PROPERTY OF OCTANE FITNESS. ANY REPRODUCTION IN PART OR WHOLE WITHOUT THE WRITTEN PERMISSION OF OCTANE FITNESS IS PROHIBITED.

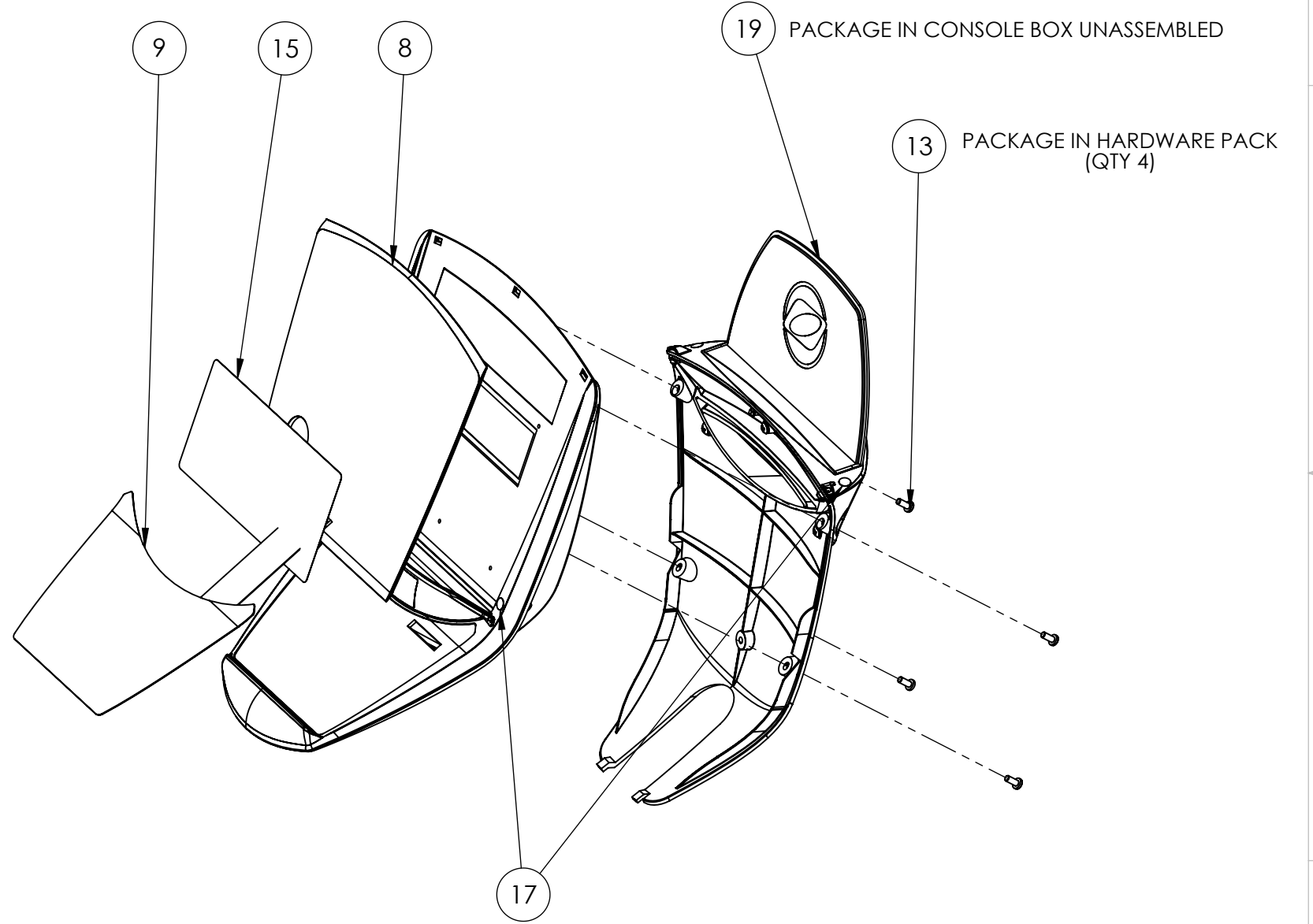
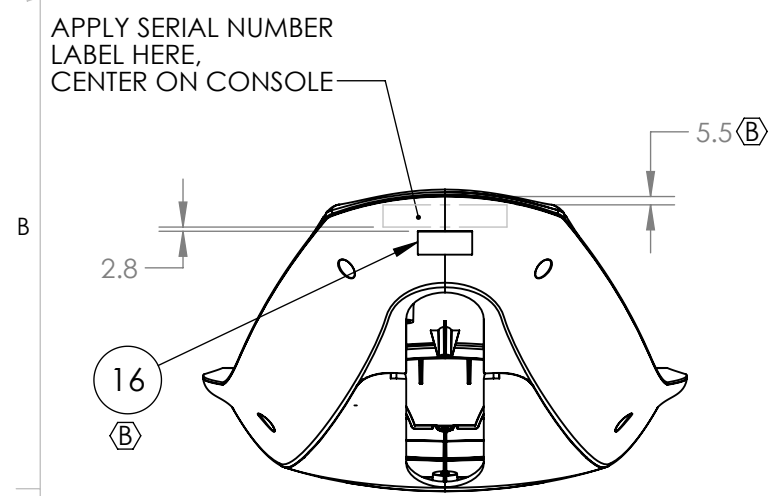
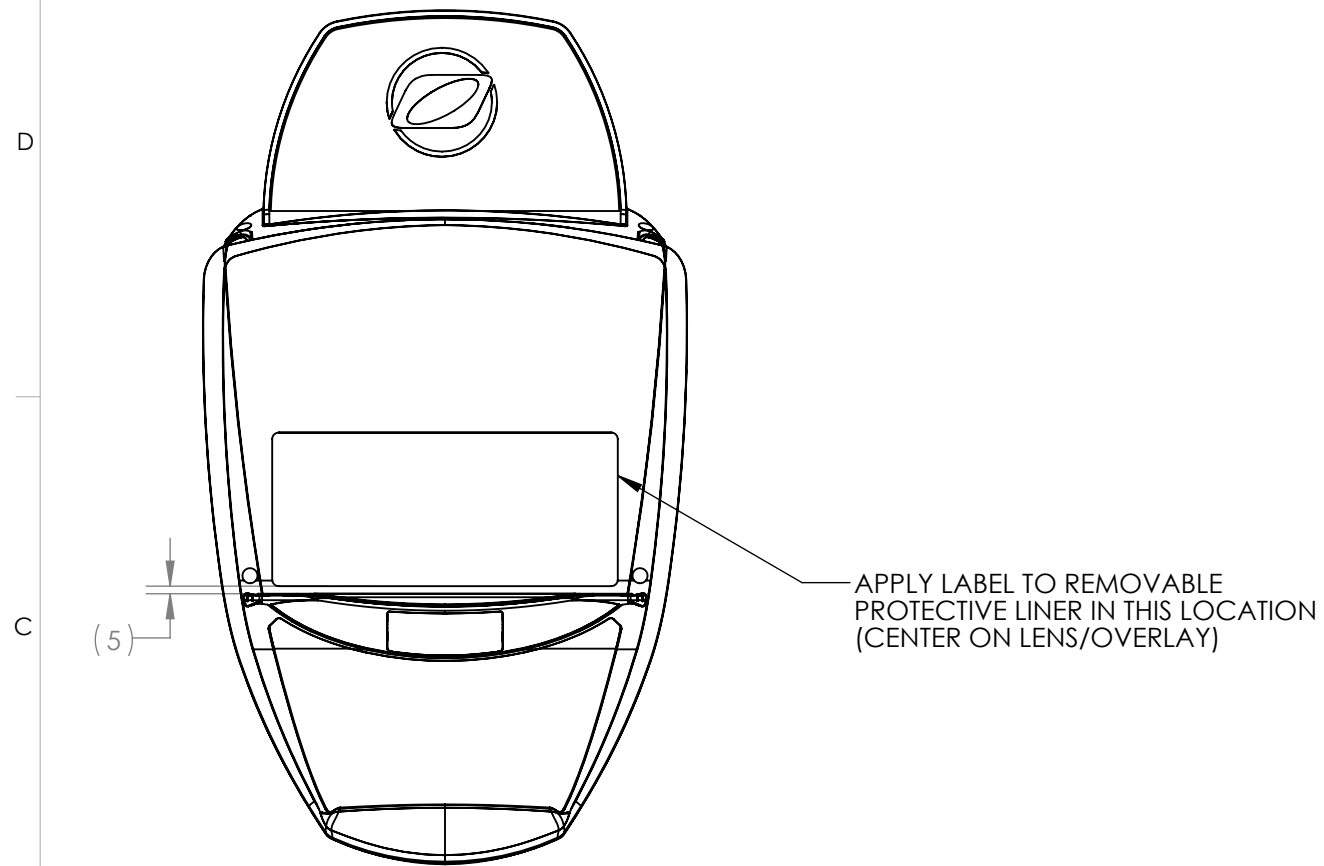
REV	DESCRIPTION	ECO #	DATE	ENG
-	See Sheet1	-	-	-



UNLESS OTHERWISE SPECIFIED DIMENSIONS ARE IN MILLIMETERS	CAD GENERATED DRAWING. DO NOT MANUALLY UPDATE	<b>OCTANE FITNESS</b> Fuel Your Life
TOLERANCES ARE: FRACTIONS DECIMALS ANGLES + .X ±0.5 ±0.5° XXX ±0.1	APPROVALS DATE DRAWN 3/16/2007	DESCRIPTION WLDMT, FRAME
MATERIAL SEE NOTES	CHECKED XX-XX-XX	REV. A
FINISH SEE NOTES	RESP ENG XX-XX-XX	DWG. NO. 109203-001
DO NOT SCALE DRAWING	MFG ENG XX-XX-XX	SCALE 1:1
	QUAL ENG XX-XX-XX	SHEET 1 OF 1

THE INFORMATION CONTAINED IN THIS DRAWING IS THE SOLE PROPERTY OF OCTANE FITNESS. ANY REPRODUCTION IN PART OR WHOLE WITHOUT THE WRITTEN PERMISSION OF OCTANE FITNESS IS PROHIBITED.

REV	DESCRIPTION	ECN #	DATE	ENG
A	RELEASE FOR PRODUCTION	001-00-015502	5/19/2014	PRS
B	CHANGED ITEM 16, UPDATED DIMENSION FOR SERIAL NUMBER PLACEMENT	001-00-015547	10/29/2014	PRS



ITEM NO.	PART NUMBER	DESCRIPTION	QTY
8	109127-001	LENS, XR6XI	1
9	109128-001	KEYPAD, XR6XI	1
13	100554-001	SCREW, M5 X 0.8 X 12, PAN HEAD, TYPE 1 CROSS RECESSED, BZ	4
15	108638-001	LABEL, CONSOLE, AUDIO ROUTING	1
16	109694-002	LABEL, RADIO, INTL COMPLIANCE, XRIDE	1
17	109007-001	DECAL, HEADPHONE INDICATOR	4
18	109058-001	BOARD PROTECTOR, Q37 X/XI, Q47 X/XI	1
19	108626-001	ASSEMBLY, ACCESS PANEL	1

NOTES:

- OCTANE FITNESS ENGINEERING APPROVAL ON FIRST SAMPLE AND VENDOR INSPECTION REPORT REQUIRED PRIOR TO PRODUCTION FROM NEW OR REVISED TOOLING.
- SUPPLIER MUST SUPPLY A DECLARATION OF COMPLIANCE WITH EUROPEAN COUNCIL DIRECTIVE 2002/95/EC, ON THE RESTRICTION OF USE OF CERTAIN HAZARDOUS SUBSTANCES (RoHS).

UNLESS OTHERWISE SPECIFIED DIMENSIONS ARE IN MILLIMETERS

**TOLERANCES ARE:**

DECIMALS	ANGLES
.X ±0.6	±0.5°
.XX ±0.20	
.XXX ±0.100	

**OCTANE FITNESS**  
Fuel Your Life

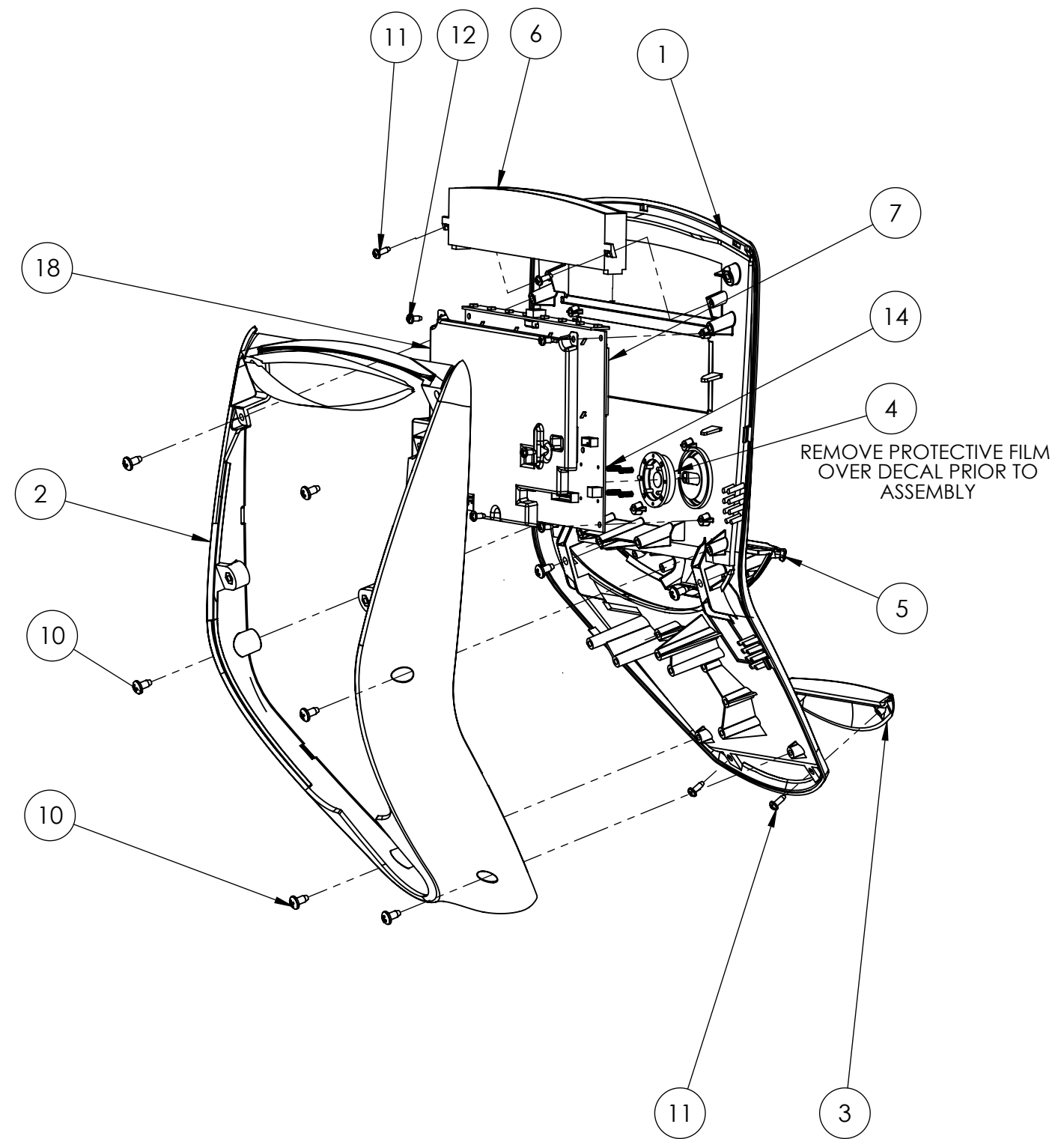
PART DESCRIPTION  
ASSEMBLY, CONSOLE, XR6XI

APPROVALS	DATE	SIZE	DWG. NO.	REV.
---	1/22/2013	B	109463-001	B

SCALE 1:5 DO NOT SCALE DRAWING SHEET 1 OF 9

THE INFORMATION CONTAINED IN THIS DRAWING IS THE SOLE PROPERTY OF OCTANE FITNESS. ANY REPRODUCTION IN PART OR WHOLE WITHOUT THE WRITTEN PERMISSION OF OCTANE FITNESS IS PROHIBITED.

REV	DESCRIPTION	ECN #	DATE	ENG
-	See Sheet1	-	-	-



ITEM NO.	PART NUMBER	DESCRIPTION	STEP 2/QTY.
1	107727-001	SHROUD, CONSOLE FRONT, DLX	1
2	107730-001	SHROUD, CONSOLE BACK	1
3	107826-001	SHROUD, LOWER IPAD SUPPORT	1
4	107929-001	ASSEMBLY, BOOSTER BUTTON	1
5	107737-001	SHROUD, TABLET SHELF	1
6	107726-001	DIFFUSER, UPPER LED INDICATOR	1
7	109552-001	ASSEMBLY, XR6XI BOARD COMPLETE WITH RADIO	1
10	107903-001	SCREW, M4.8 X 1.6 X 10 TYPE B, TYPE 1 CROSS RECESS PAN HEAD, ST, BZ	8
11	100913-001	SCREW, M3.5 X 1.3 X 10 TYPE B, TYPE 1 CROSS RECESS PAN HEAD, ST, BZ	4
12	108912-001	SCREW, M3.5 X 1.3 X 8 TYPE B, TYPE 1 CROSS RECESS PAN HEAD, ST, BZ	6
14	108639-001	COMPRESSION SPRING, CONSOLE BUTTON	4
18	109058-001	BOARD PROTECTOR, Q37 X/XI, Q47 X/XI	1

NOTES:  
 1. OCTANE FITNESS ENGINEERING APPROVAL ON FIRST SAMPLE AND VENDOR INSPECTION REPORT REQUIRED PRIOR TO PRODUCTION FROM NEW OR REVISED TOOLING.  
 2. SUPPLIER MUST SUPPLY A DECLARATION OF COMPLIANCE WITH EUROPEAN COUNCIL DIRECTIVE 2002/95/EC, ON THE RESTRICTION OF USE OF CERTAIN HAZARDOUS SUBSTANCES (RoHS).

UNLESS OTHERWISE SPECIFIED DIMENSIONS ARE IN MILLIMETERS

**OCTANE FITNESS**  
*Fuel Your Life*

TOLERANCES ARE:  
 DECIMALS ANGLES  
 .X ±0.6 ±0.5°  
 .XX ±0.20  
 .XXX ±0.100

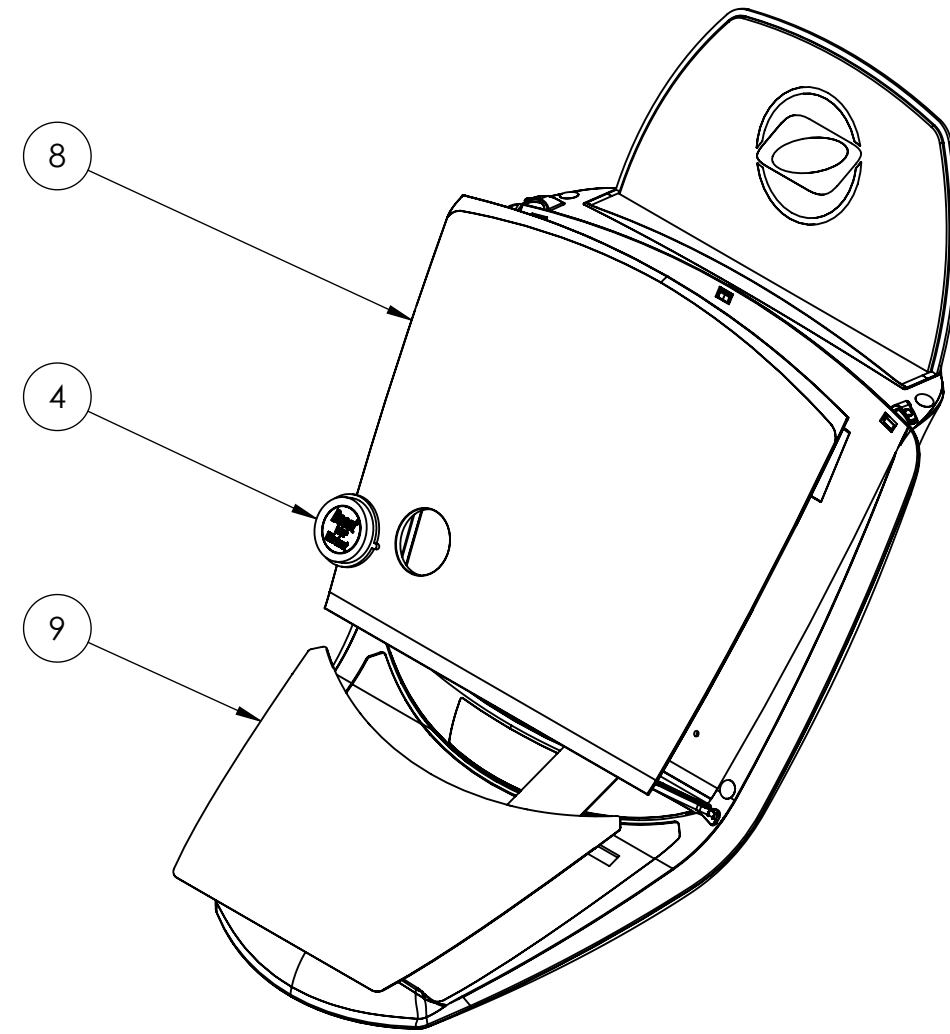
PART DESCRIPTION  
 ASSEMBLY, CONSOLE, XR6XI

APPROVALS DATE SIZE DWG. NO. REV.  
 --- 1/22/2013 B 109463-001 B

SCALE 1:4 DO NOT SCALE DRAWING SHEET 2 OF 9

THE INFORMATION CONTAINED IN THIS DRAWING IS THE SOLE PROPERTY OF OCTANE FITNESS. ANY REPRODUCTION IN PART OR WHOLE WITHOUT THE WRITTEN PERMISSION OF OCTANE FITNESS IS PROHIBITED.

REV	DESCRIPTION	ECN #	DATE	ENG
-	See Sheet1	-	-	-



ITEM NO.	PART NUMBER	DESCRIPTION	109463-002/107957-002/QTY.
4	107929-002	ASSEMBLY, BOOSTER BUTTON, GERMAN	1
8	109127-002	LENS, XR6XI, GERMAN	1
9	109128-002	KEYPAD, XR6XI, GERMAN	1

NOTES:

- SEE SHEET 1.

UNLESS OTHERWISE SPECIFIED DIMENSIONS ARE IN MILLIMETERS

**TOLERANCES ARE:**

**DECIMALS** .X ±0.6  
 .XX ±0.20  
 .XXX ±0.100  
**ANGLES** ±0.5°

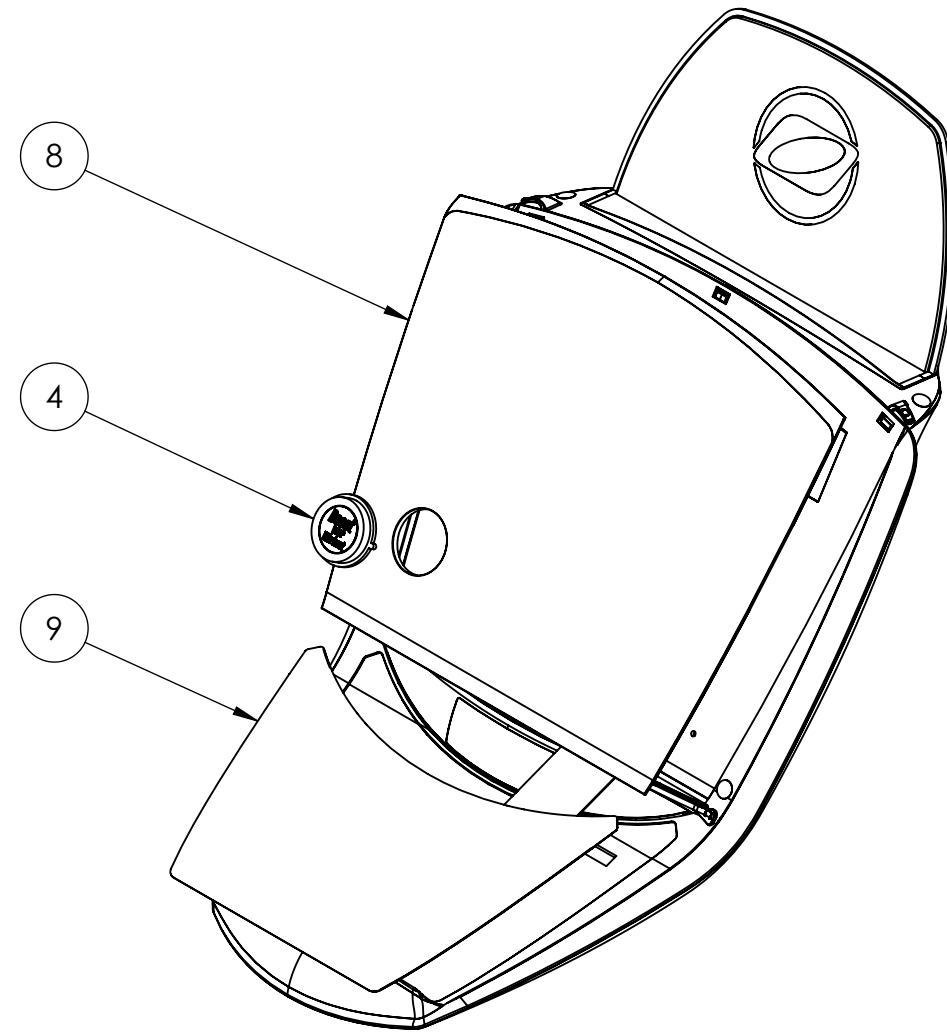
**OCTANE FITNESS**  
*Fuel Your Life*

PART DESCRIPTION  
 ASSEMBLY, XR6XI CONSOLE,  
 GERMAN

APPROVALS	DATE	SIZE	DWG. NO.	REV.
---	1/22/2013	B	109463-002	B
SCALE 1:4		DO NOT SCALE DRAWING		SHEET 3 OF 9

THE INFORMATION CONTAINED IN THIS DRAWING IS THE SOLE PROPERTY OF OCTANE FITNESS. ANY REPRODUCTION IN PART OR WHOLE WITHOUT THE WRITTEN PERMISSION OF OCTANE FITNESS IS PROHIBITED.

REV	DESCRIPTION	ECN #	DATE	ENG
-	See Sheet 1	-	-	-



ITEM NO.	PART NUMBER	DESCRIPTION	109463-003/QTY.
4	107929-003	ASSEMBLY, BOOSTER BUTTON, FRENCH	1
8	109127-003	LENS, XR6XI, FRENCH	1
9	109128-003	KEYPAD, XR6XI, FRENCH	1

NOTES:

- SEE SHEET 1.

UNLESS OTHERWISE SPECIFIED  
DIMENSIONS ARE IN  
MILLIMETERS

**TOLERANCES ARE:**

<b>DECIMALS</b>	<b>ANGLES</b>
.X ±0.6	±0.5°
.XX ±0.20	
.XXX ±0.100	

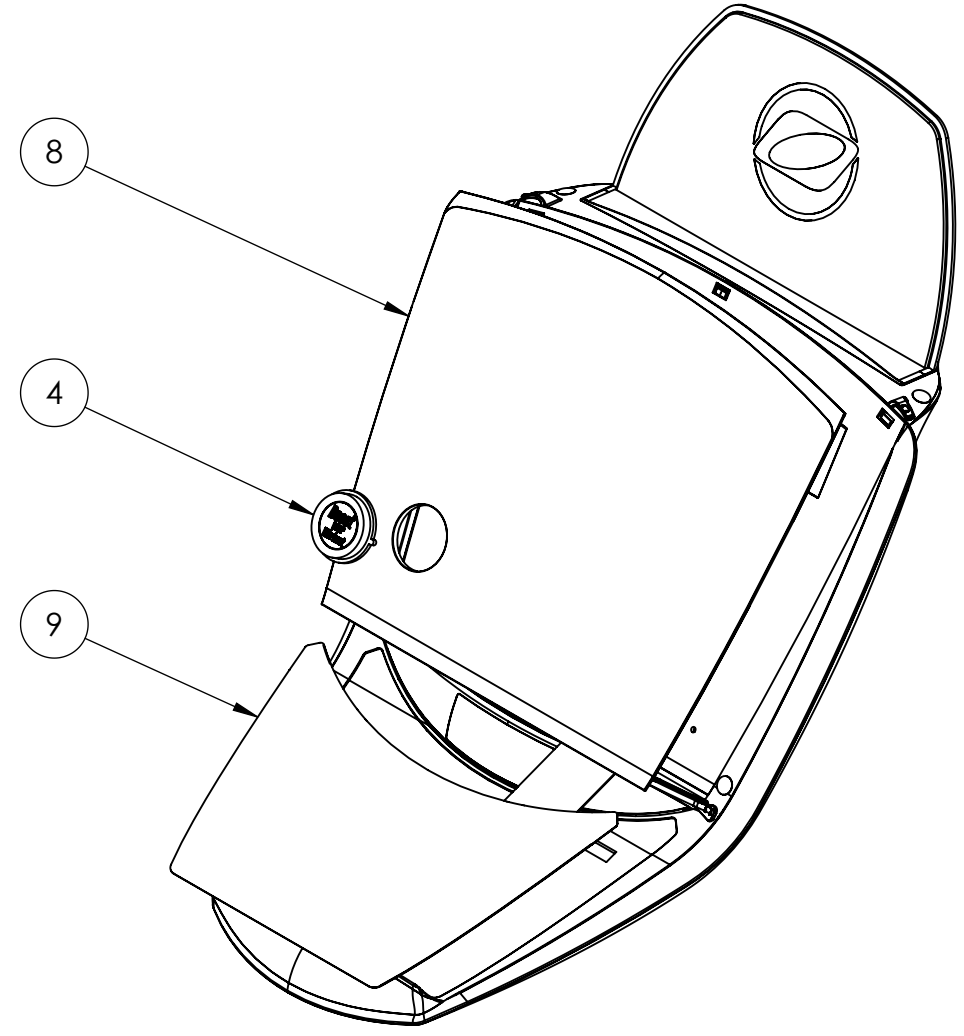
**OCTANE FITNESS**  
*Fuel Your Life*

PART DESCRIPTION  
ASSEMBLY, XR6XI CONSOLE,  
FRENCH

APPROVALS	DATE	SIZE	DWG. NO.	REV.
---	1/22/2013	B	109463-003	B
SCALE 1:4		DO NOT SCALE DRAWING		SHEET 4 OF 9

THE INFORMATION CONTAINED IN THIS DRAWING IS THE SOLE PROPERTY OF OCTANE FITNESS. ANY REPRODUCTION IN PART OR WHOLE WITHOUT THE WRITTEN PERMISSION OF OCTANE FITNESS IS PROHIBITED.

REV	DESCRIPTION	ECN #	DATE	ENG
-	See Sheet1	-	-	-



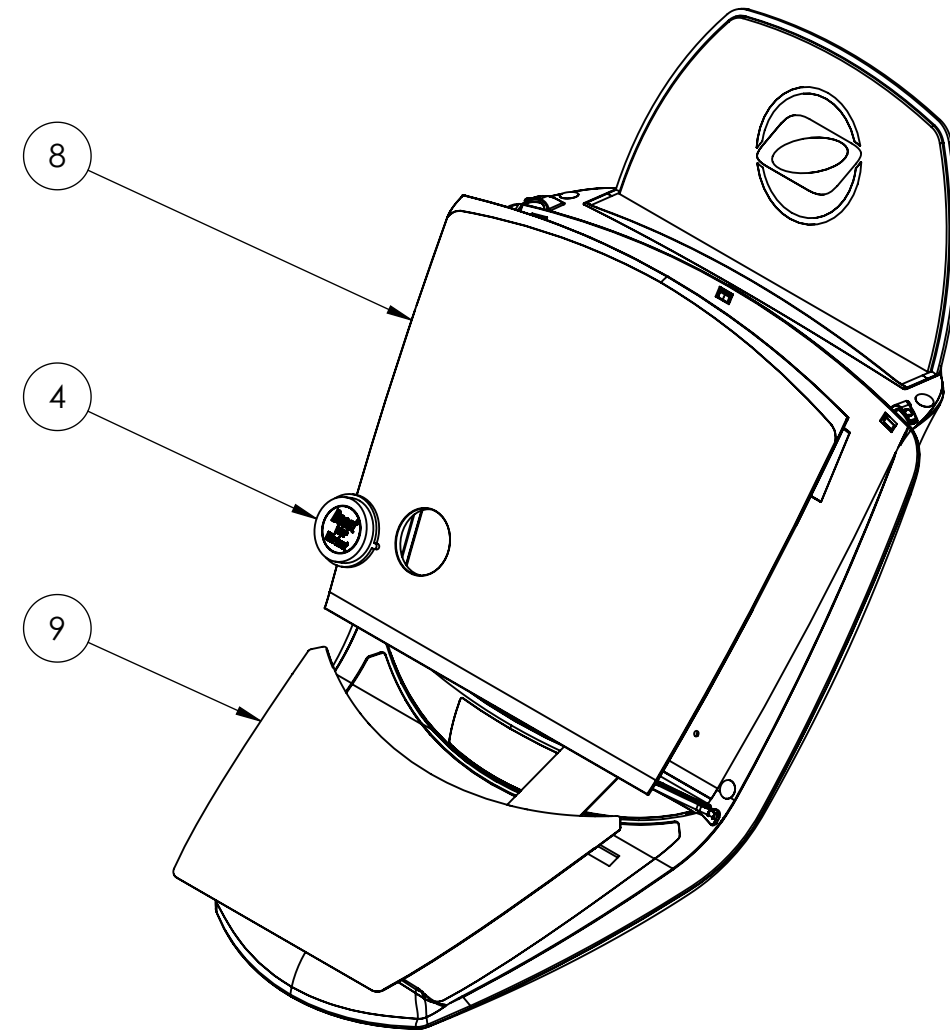
ITEM NO.	PART NUMBER	DESCRIPTION	109463-004/QTY.
4	107929-004	ASSEMBLY, BOOSTER BUTTON, SPANISH	1
8	109127-004	LENS, XR6XI, SPANISH	1
9	109128-004	KEYPAD, XR6XI, SPANISH	1

NOTES:  
1. SEE SHEET 1.

UNLESS OTHERWISE SPECIFIED DIMENSIONS ARE IN MILLIMETERS		<b>OCTANE FITNESS</b> <i>Fuel Your Life</i>	
<b>TOLERANCES ARE:</b>		PART DESCRIPTION	
<b>DECIMALS</b>	<b>ANGLES</b>	ASSEMBLY, XR6XI CONSOLE, SPANISH	
.X ±0.6	±0.5°		
.XX ±0.20			
.XXX ±0.100			
APPROVALS	DATE	SIZE	DWG. NO.
---	1/22/2013	B	109463-004
		SCALE 1:4	DO NOT SCALE DRAWING
		SHEET 5 OF 9	

THE INFORMATION CONTAINED IN THIS DRAWING IS THE SOLE PROPERTY OF OCTANE FITNESS. ANY REPRODUCTION IN PART OR WHOLE WITHOUT THE WRITTEN PERMISSION OF OCTANE FITNESS IS PROHIBITED.

REV	DESCRIPTION	ECN #	DATE	ENG
-	See Sheet1	-	-	-



ITEM NO.	PART NUMBER	DESCRIPTION	109463-005/QTY.
4	107929-005	ASSEMBLY, BOOSTER BUTTON, DUTCH	1
8	109127-005	LENS, XR6XI, DUTCH	1
9	109128-005	KEYPAD, XR6XI, DUTCH	1

NOTES:

- SEE SHEET 1.

UNLESS OTHERWISE SPECIFIED DIMENSIONS ARE IN MILLIMETERS

**TOLERANCES ARE:**

**DECIMALS** .X ±0.6  
 .XX ±0.20  
 .XXX ±0.100  
**ANGLES** ±0.5°

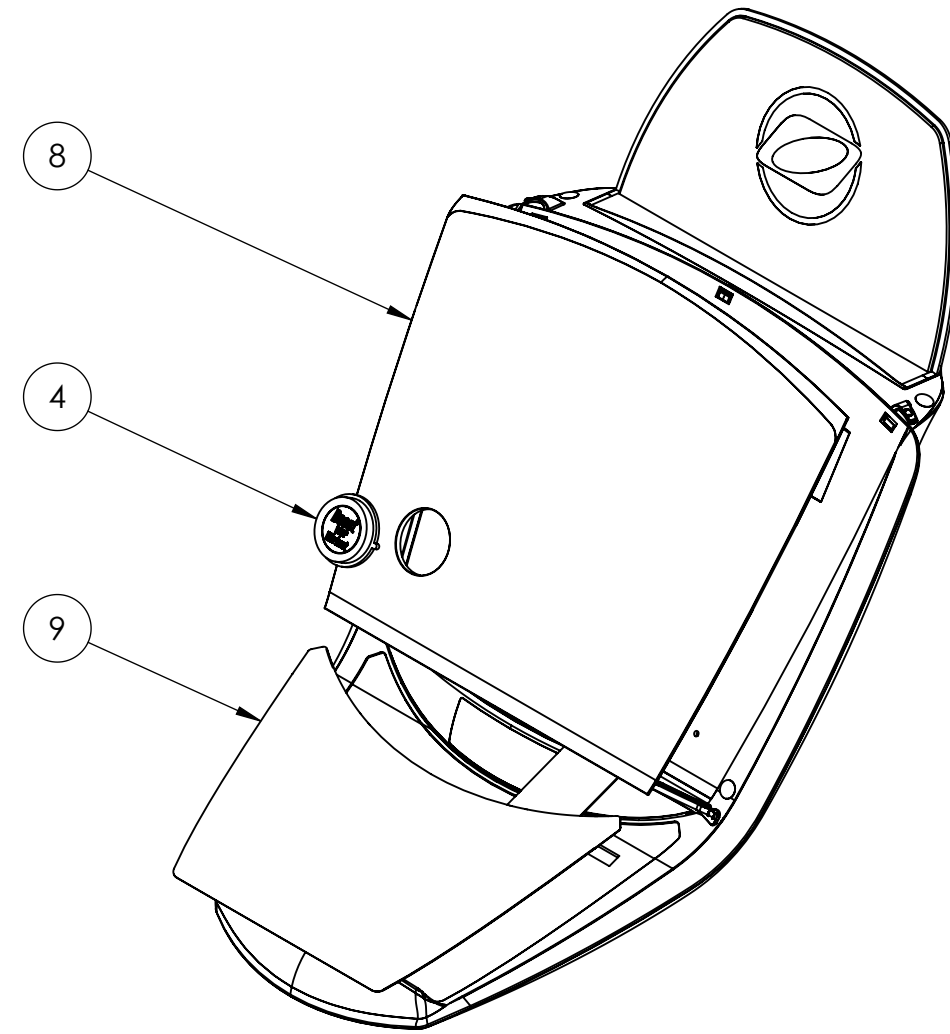
**OCTANE FITNESS**  
*Fuel Your Life*

PART DESCRIPTION  
 ASSEMBLY, XR6XI CONSOLE,  
 DUTCH

APPROVALS	DATE	SIZE	DWG. NO.	REV.
---	1/22/2013	B	109463-005	B
SCALE 1:4		DO NOT SCALE DRAWING		SHEET 6 OF 9

THE INFORMATION CONTAINED IN THIS DRAWING IS THE SOLE PROPERTY OF OCTANE FITNESS. ANY REPRODUCTION IN PART OR WHOLE WITHOUT THE WRITTEN PERMISSION OF OCTANE FITNESS IS PROHIBITED.

REV	DESCRIPTION	ECN #	DATE	ENG
-	See Sheet1	-	-	-



ITEM NO.	PART NUMBER	DESCRIPTION	109463-006/QTY.
4	107929-006	ASSEMBLY, BOOSTER BUTTON, PORTUGUESE	1
8	109127-006	LENS, XR6XI, PORTUGUESE	1
9	109128-006	KEYPAD, XR6XI, PORTUGUESE	1

NOTES:

- SEE SHEET 1.

UNLESS OTHERWISE SPECIFIED  
DIMENSIONS ARE IN  
MILLIMETERS

**TOLERANCES ARE:**

**DECIMALS**    **ANGLES**  
.X ±0.6            ±0.5°  
.XX ±0.20  
.XXX ±0.100

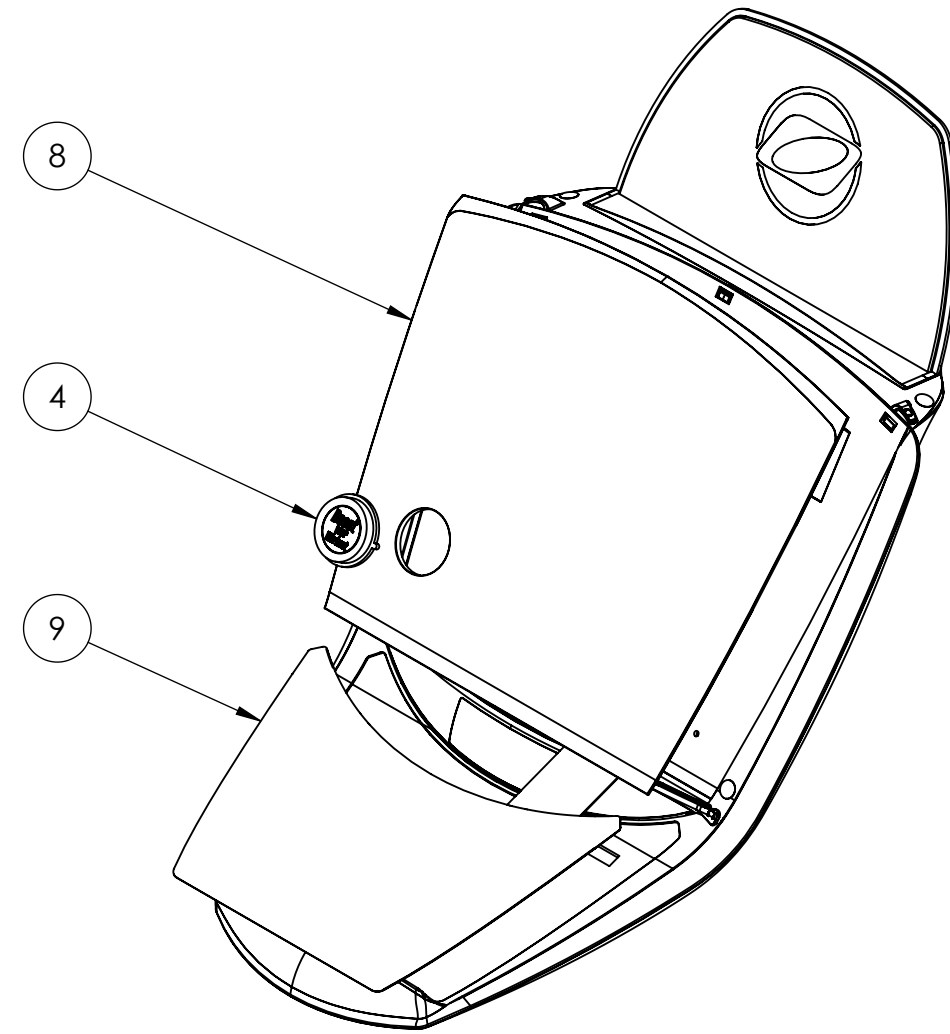
**OCTANE FITNESS**  
*Fuel Your Life*

PART DESCRIPTION  
ASSEMBLY, XR6XI CONSOLE,  
PORTUGUESE

APPROVALS	DATE	SIZE	DWG. NO.	REV.
---	1/22/2013	B	109463-006	B
SCALE 1:4		DO NOT SCALE DRAWING		SHEET 7 OF 9

THE INFORMATION CONTAINED IN THIS DRAWING IS THE SOLE PROPERTY OF OCTANE FITNESS. ANY REPRODUCTION IN PART OR WHOLE WITHOUT THE WRITTEN PERMISSION OF OCTANE FITNESS IS PROHIBITED.

REV	DESCRIPTION	ECN #	DATE	ENG
-	See Sheet 1	-	-	-



ITEM NO.	PART NUMBER	DESCRIPTION	109463-007/QTY.
4	107929-007	ASSEMBLY, BOOSTER BUTTON, JAPANESE	1
8	109127-007	LENS, XR6XI, JAPANESE	1
9	109128-007	KEYPAD, XR6XI, JAPANESE	1

NOTES:

- SEE SHEET 1.

UNLESS OTHERWISE SPECIFIED  
DIMENSIONS ARE IN  
MILLIMETERS

**TOLERANCES ARE:**

<b>DECIMALS</b>	<b>ANGLES</b>
.X ±0.6	±0.5°
.XX ±0.20	
.XXX ±0.100	

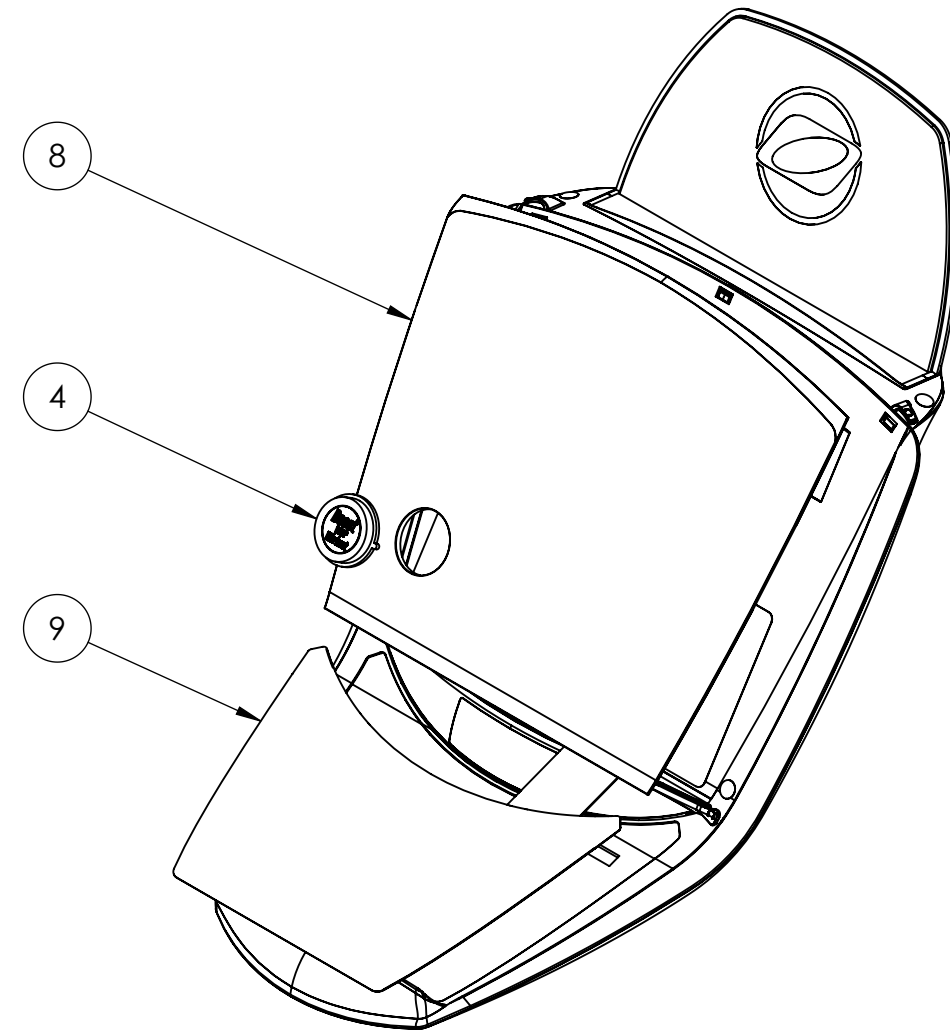
**OCTANE FITNESS**  
*Fuel Your Life*

PART DESCRIPTION  
ASSEMBLY, XR6XI CONSOLE,  
JAPANESE

APPROVALS	DATE	SIZE	DWG. NO.	REV.
---	1/22/2013	B	109463-007	B
DRAWN BY		SCALE 1:4	DO NOT SCALE DRAWING	SHEET 8 OF 9

THE INFORMATION CONTAINED IN THIS DRAWING IS THE SOLE PROPERTY OF OCTANE FITNESS. ANY REPRODUCTION IN PART OR WHOLE WITHOUT THE WRITTEN PERMISSION OF OCTANE FITNESS IS PROHIBITED.

REV	DESCRIPTION	ECN #	DATE	ENG
-	See Sheet 1	-	-	-



ITEM NO.	PART NUMBER	DESCRIPTION	109463-009/QTY.
4	107929-009	ASSEMBLY, BOOSTER BUTTON, CHINESE	1
8	109127-009	LENS, XR6XI, CHINESE	1
9	109128-009	KEYPAD, XR6XI, CHINESE	1

NOTES:

- SEE SHEET 1.

UNLESS OTHERWISE SPECIFIED DIMENSIONS ARE IN MILLIMETERS

**TOLERANCES ARE:**

**DECIMALS**    **ANGLES**  
.X ±0.6            ±0.5°  
.XX ±0.20  
.XXX ±0.100

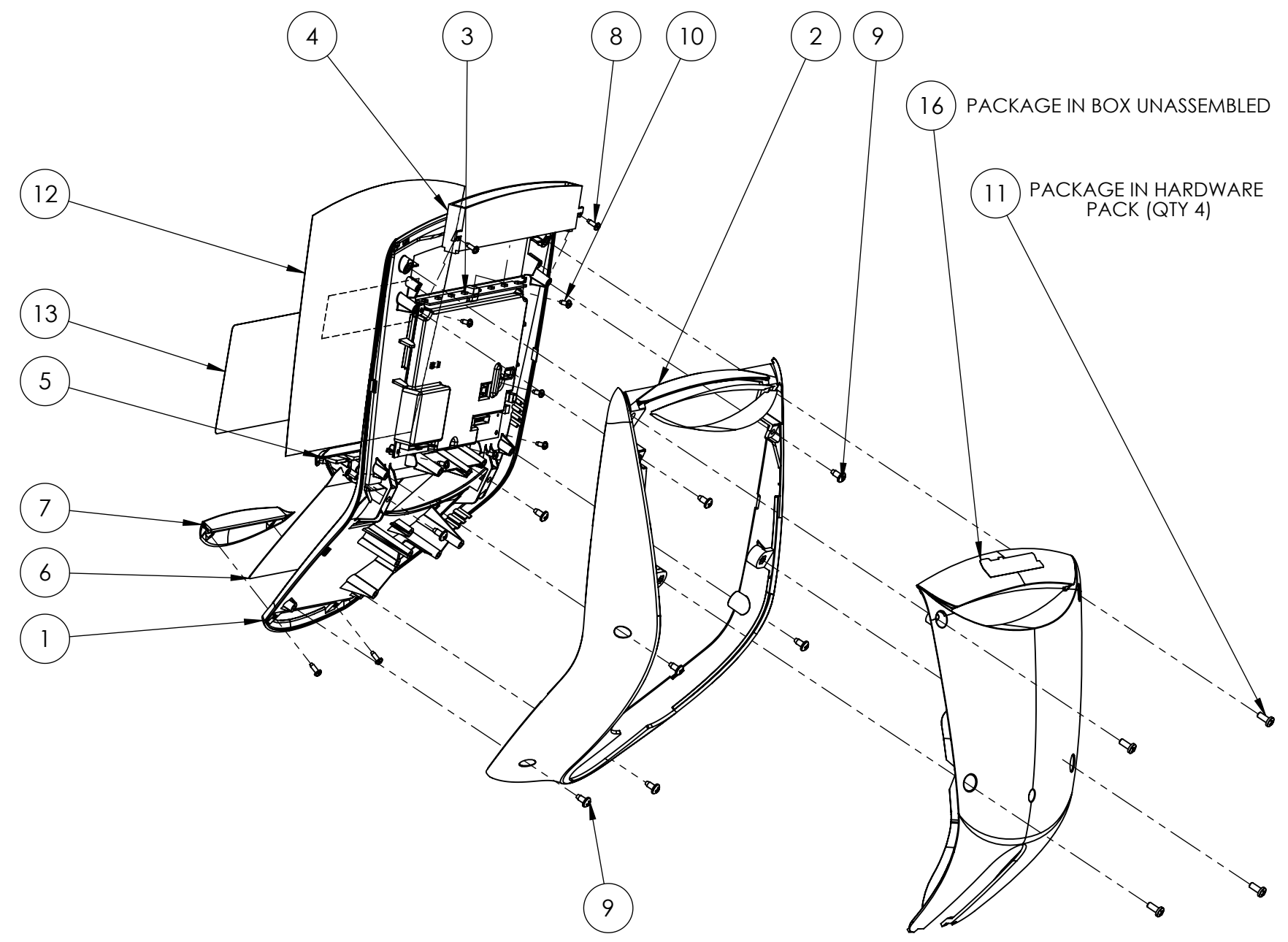
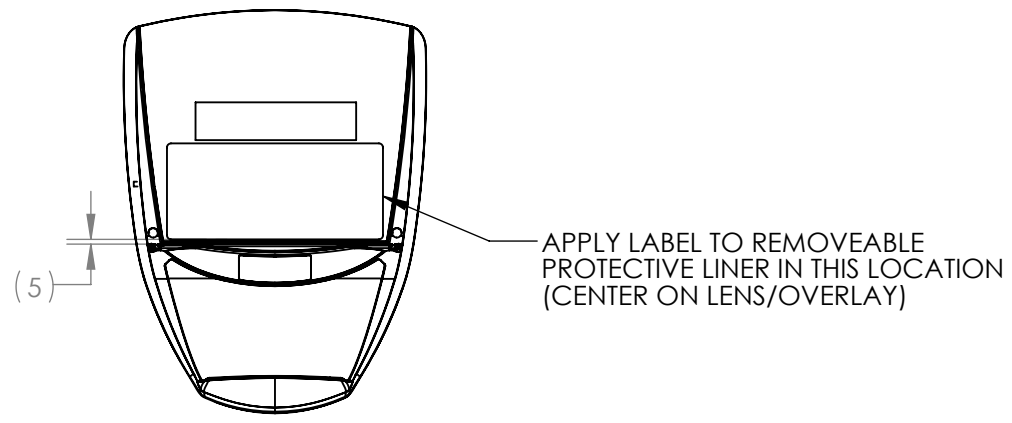
**OCTANE FITNESS**  
*Fuel Your Life*

PART DESCRIPTION  
ASSEMBLY, XR6XI CONSOLE,  
CHINESE

APPROVALS	DATE	SIZE	DWG. NO.	REV.
---	1/22/2013	B	109463-009	B
SCALE 1:4		DO NOT SCALE DRAWING		SHEET 9 OF 9

THE INFORMATION CONTAINED IN THIS DRAWING IS THE SOLE PROPERTY OF OCTANE FITNESS. ANY REPRODUCTION IN PART OR WHOLE WITHOUT THE WRITTEN PERMISSION OF OCTANE FITNESS IS PROHIBITED.

REV	DESCRIPTION	ECN #	DATE	ENG
1	RELEASE FOR PROTOTYPE		5/12/2014	PRS
A	ADDED BOARD PROTECTOR, REMOVED TAPE NOTE, RELEASE FOR PRODUCTION	001-00-015502	6/27/2014	PRS



ITEM NO.	PART NUMBER	DESCRIPTION	QTY
1	107760-001	SHROUD, CONSOLE FRONT, DLX	1
2	107730-001	SHROUD, CONSOLE BACK	1
3	109555-001	ASSEMBLY, XR6X BOARD AND LED BOARD	1
4	107726-001	DIFFUSER, UPPER LED INDICATOR	1
5	107737-001	SHROUD, TABLET SHELF	1
6	107765-001	KEYPAD, Q37X/XR6X	1
7	107826-001	SHROUD, LOWER IPAD SUPPORT	1
8	100913-001	SCREW, M3.5 X 1.3 X 10 TYPE B, TYPE 1 CROSS RECESS PAN HEAD, ST, BZ	4
9	107903-001	SCREW, M4.8 X 1.6 X 10 TYPE B, TYPE 1 CROSS RECESS PAN HEAD, ST, BZ	8
10	108912-001	SCREW, M3.5 X 1.3 X 8 TYPE B, TYPE 1 CROSS RECESS PAN HEAD, ST, BZ	6
11	100554-001	SCREW, M5 X 0.8 X 12, PAN HEAD, TYPE 1 CROSS RECESSED, BZ	4
12	109129-001	OVERLAY, XR6X	1
13	108638-001	LABEL, CONSOLE, AUDIO ROUTING	1
14	109007-001	DECAL, HEADPHONE INDICATOR	2
15	109058-001	BOARD PROTECTOR, Q37 X/XI, Q47 X/XI	1
16	108674-001	ASSEMBLY, CONSOLE ACCESS PANEL	1

NOTES

- OCTANE FITNESS ENGINEERING APPROVAL ON FIRST SAMPLE AND VENDOR INSPECTION REPORT REQUIRED PRIOR TO PRODUCTION FROM NEW OR REVISED TOOLING.
- SUPPLIER MUST SUPPLY A DECLARATION OF COMPLIANCE WITH EUROPEAN COUNCIL DIRECTIVE 2002/95/EC, ON THE RESTRICTION OF USE OF CERTAIN HAZARDOUS SUBSTANCES (RoHS).

UNLESS OTHERWISE SPECIFIED DIMENSIONS ARE IN MILLIMETERS

**TOLERANCES ARE:**

DECIMALS	ANGLES
.X ±0.6	±0.5°
.XX ±0.20	
.XXX ±0.100	

**OCTANE FITNESS**  
Fuel Your Life

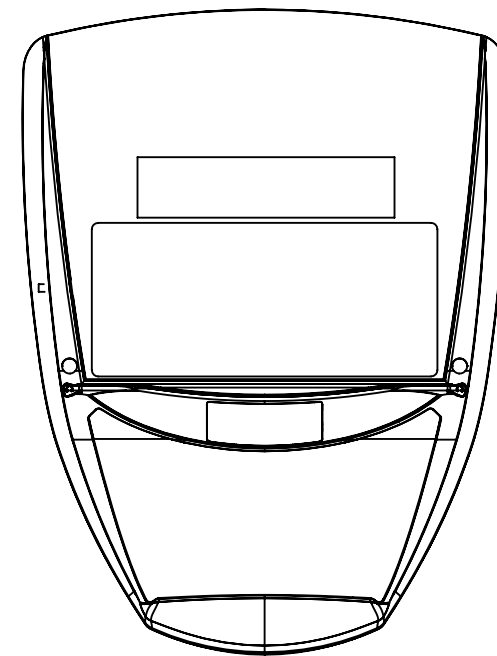
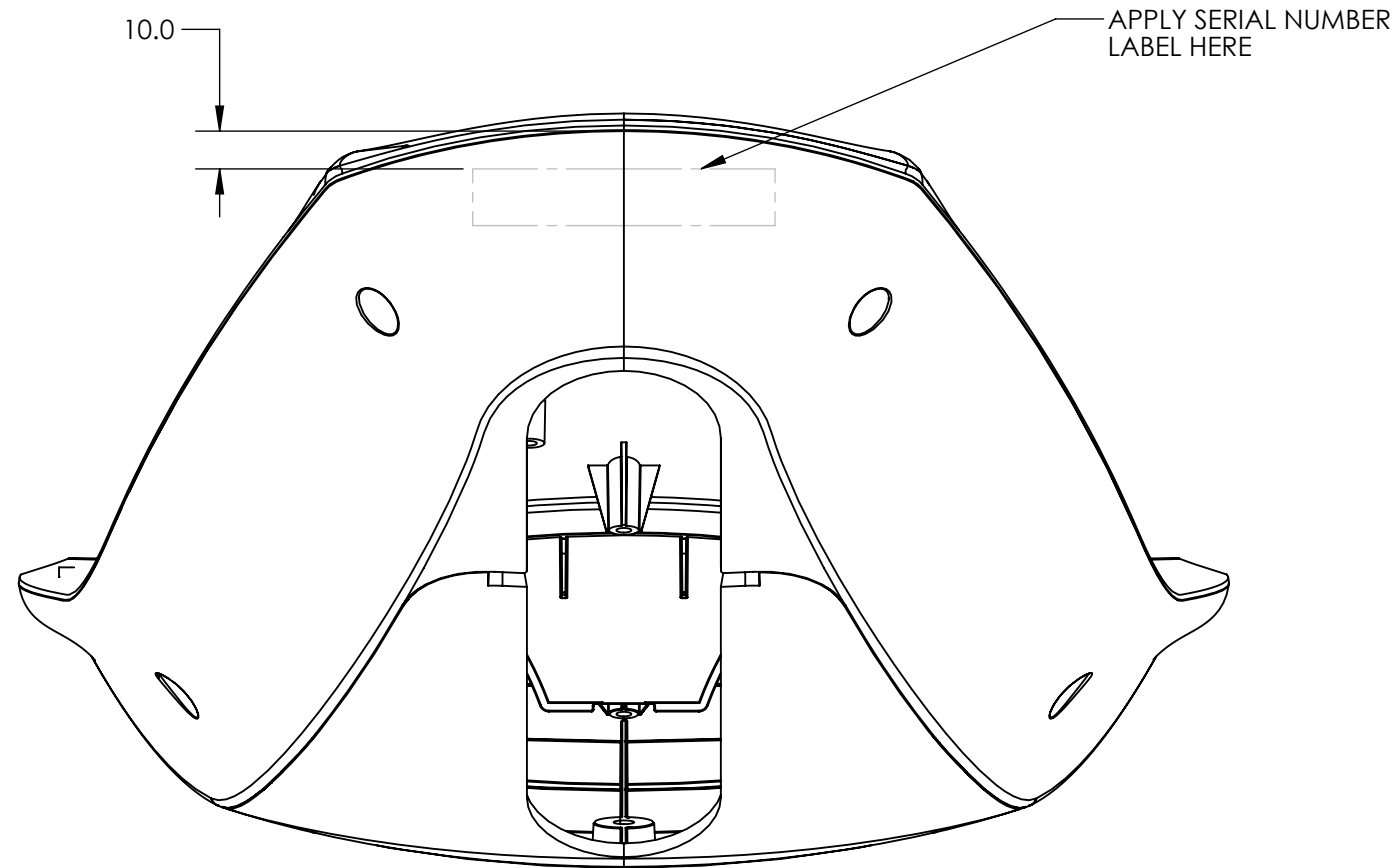
PART DESCRIPTION  
ASSEMBLY, CONSOLE, XR6X

APPROVALS	DATE	SIZE	DWG. NO.	REV.
---	1/22/2013	B	109464-001	A

SCALE 1:5 DO NOT SCALE DRAWING SHEET 1 OF 2

THE INFORMATION CONTAINED IN THIS DRAWING IS THE SOLE PROPERTY OF OCTANE FITNESS. ANY REPRODUCTION IN PART OR WHOLE WITHOUT THE WRITTEN PERMISSION OF OCTANE FITNESS IS PROHIBITED.

REV	DESCRIPTION	ECN #	DATE	ENG
-	See Sheet1	-	-	-



ITEM NO.	PART NUMBER	DESCRIPTION	DEFAULT 1/QTY.
15	109058-001	BOARD PROTECTOR, Q37 X/XI, Q47 X/XI	1
16	109007-001	DECAL, HEADPHONE INDICATOR	2

NOTES:

- OCTANE FITNESS ENGINEERING APPROVAL ON FIRST SAMPLE AND VENDOR INSPECTION REPORT REQUIRED PRIOR TO PRODUCTION FROM NEW OR REVISED TOOLING.
- SUPPLIER MUST SUPPLY A DECLARATION OF COMPLIANCE WITH EUROPEAN COUNCIL DIRECTIVE 2011/65/EU, ON THE RESTRICTION OF USE OF CERTAIN HAZARDOUS SUBSTANCES (RoHS).

UNLESS OTHERWISE SPECIFIED DIMENSIONS ARE IN MILLIMETERS

TOLERANCES ARE:

DECIMALS ANGLES  
.X ±0.6 ±0.5°  
.XX ±0.20  
.XXX ±0.100

**OCTANE FITNESS**  
*Fuel Your Life*

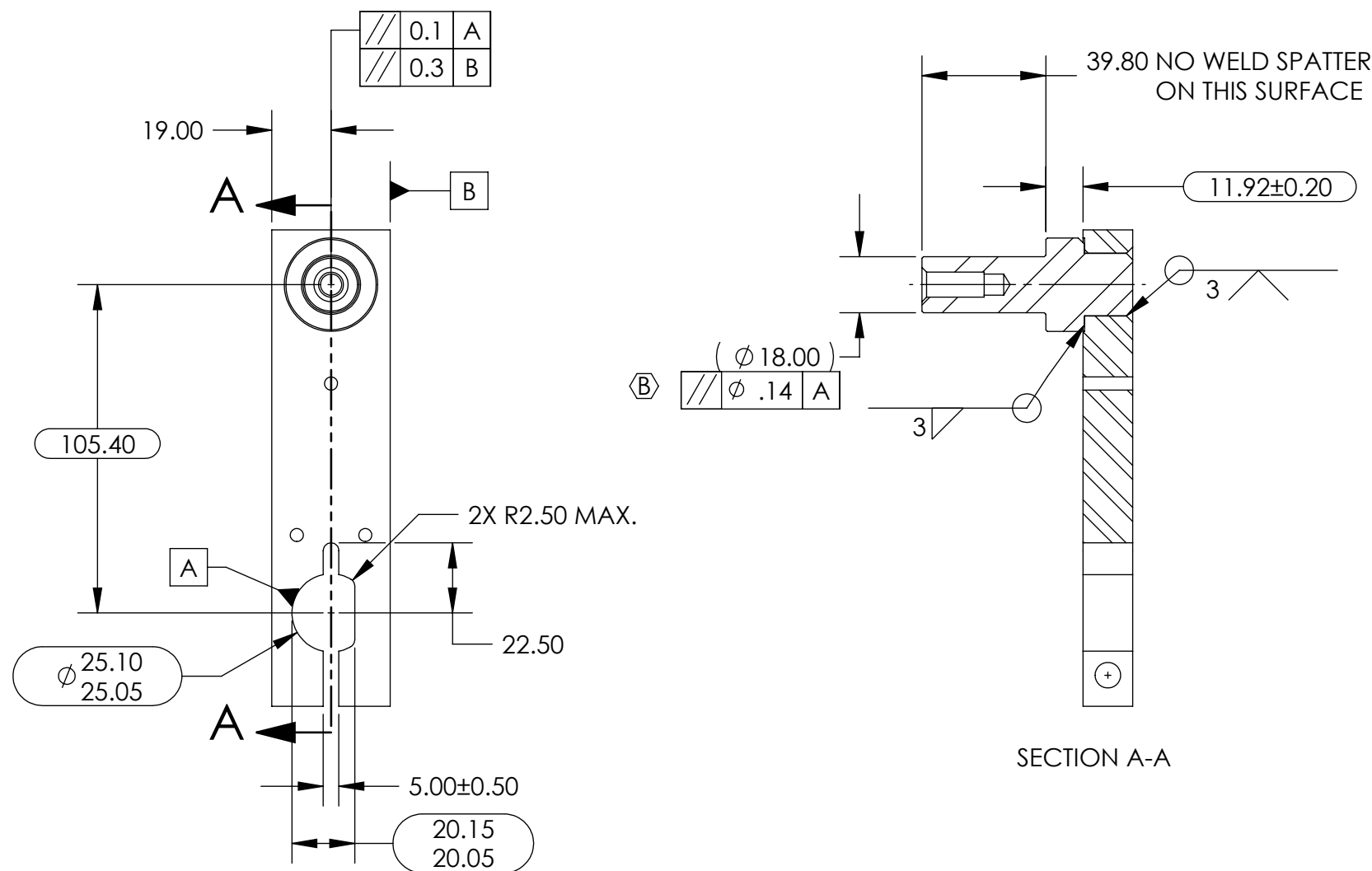
PART DESCRIPTION  
ASSEMBLY, CONSOLE, XR6X

APPROVALS DATE  
DRAWN BY --- 1/22/2013

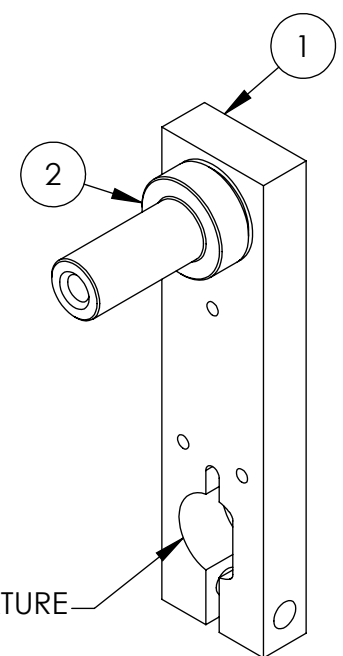
SIZE DWG. NO. REV.  
B 109464-001 A  
SCALE 1:2 DO NOT SCALE DRAWING SHEET 2 OF 2

THE INFORMATION CONTAINED IN THIS DRAWING IS THE SOLE PROPERTY OF OCTANE FITNESS. ANY REPRODUCTION IN PART OR WHOLE WITHOUT THE WRITTEN PERMISSION OF OCTANE FITNESS IS PROHIBITED.

REV	DESCRIPTION	ECO #	DATE	ENG
1	RELEASED FOR QUOTE		20MAR07	MRN
2	VIEWS UPDATED TO SHOW CHANGE TO ITEM 1		6/20/2007	MRN
A	REVISED DATUM A AND PERPENDICULARITY TO PARALLELISM. RELEASE FOR PRODUCTION	001-00-014711	2/29/2008	CJR
B	PARALLEL TOL. CHANGED FROM 0.05 TO 0.14 ADDED NOTE 1 ADDED MACHINE "D" SHAPED FEATURE AFTER WELDING NOTE ADDED SHEET 2	001-00-014823	12/17/2008	MRN
C	UPDATED ITEMS 1 & 2 TO MATCH PRODUCTION CHANGED SHOULDER DIMENSION TO INSPECTION DIMENSION	001-00-014893	7/29/2009	DCB



- NOTES:
1. PARALLELISM MAY BE MEASURED USING MASTER PART, SEE SHEET 2. (B)
  2. FINISH: MANGANESE PHOSPHATE AFTER WELDING
  3. REMOVE ALL BURRS AND SHARP EDGES.
  4. OCTANE FITNESS ENGINEERING APPROVAL ON FIRST SAMPLES AND VENDOR INSPECTION REPORT REQUIRED PRIOR TO PRODUCTION FROM NEW OR REVISED TOOLING.
  5. CAD GENERATED MODEL. ANY DIMENSIONS NOT ON THIS PRINT SHOULD BE EXTRACTED FROM THE CAD MODEL. CAD MODEL IS DRIVING DOCUMENT.
  6. SUPPLIER MUST SUPPLY A DECLARATION OF COMPLIANCE WITH EUROPEAN COUNCIL DIRECTIVE 2002/95/EC, ON THE RESTRICTION OF USE OF CERTAIN HAZARDOUS SUBSTANCES (RoHS).



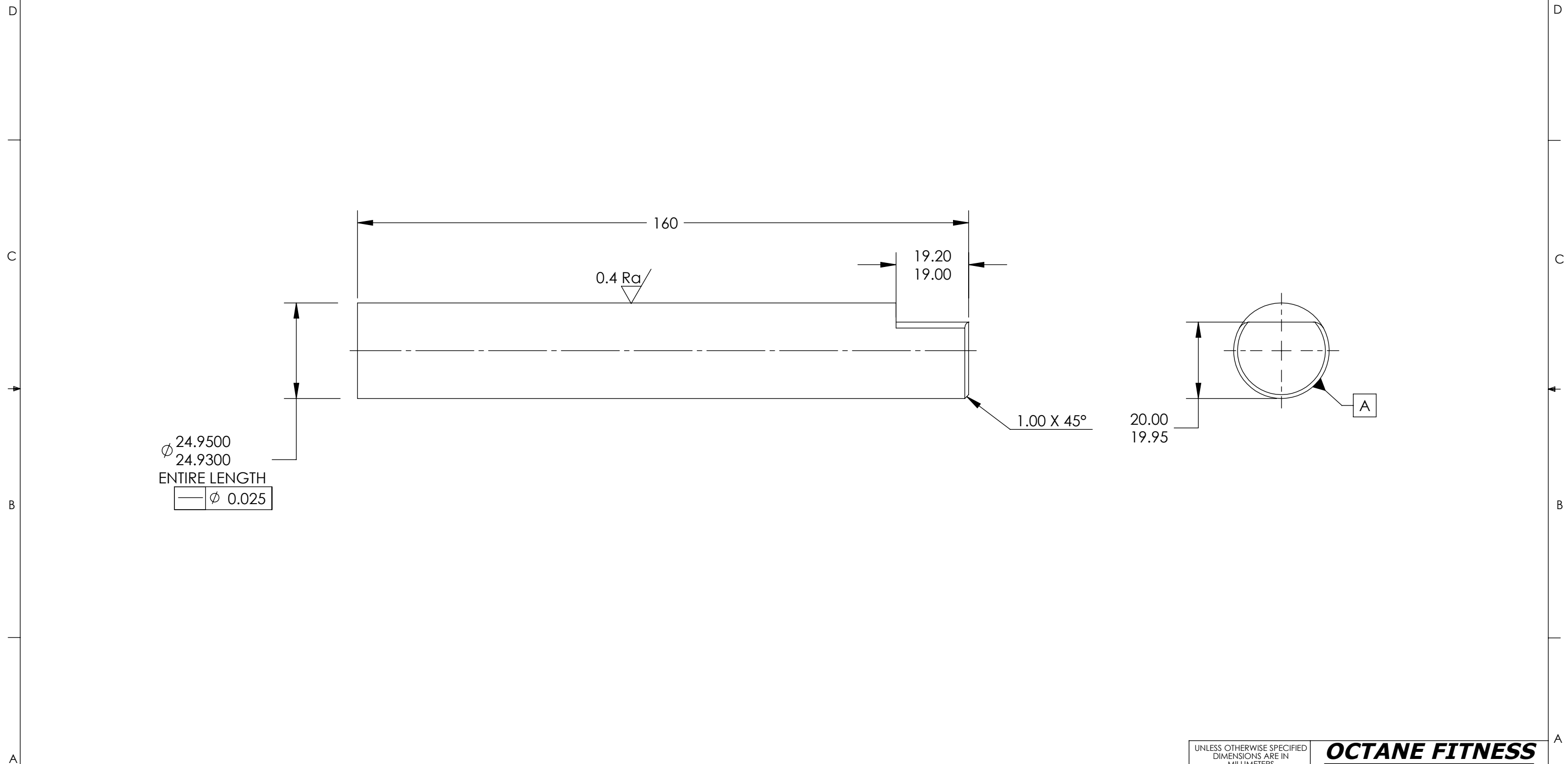
(B) MACHINE "D" FEATURE AFTER WELDING

ITEM NO.	PART NUMBER	DESCRIPTION	QTY.
1	101740-001	BAR, LARGE CRANK ARM	1
2	101741-001	SPACER, CRANK ARM	1

UNLESS OTHERWISE SPECIFIED DIMENSIONS ARE IN MILLIMETERS <b>TOLERANCES ARE:</b> DECIMALS ANGLES .X ±0.6 ±0.5° .XX ±0.2 .XXX ±0.1		CAD GENERATED DRAWING, DO NOT MANUALLY UPDATE		<b>OCTANE FITNESS</b> <i>Fuel Your Life</i>	
MATERIAL SEE NOTES		APPROVALS DRAWN M.NESTANDE	DATE 10/18/2006	PART DESCRIPTION WLDMT, LARGE CRANK ARM	
FINISH SEE NOTES		CHECKED --- RESP ENG ---	XX-XX-XX XX-XX-XX	SIZE B	DWG. NO. 101516-001
DO NOT SCALE DRAWING		QUAL ENG ---	XX-XX-XX	SCALE 1:2	CAD FILE: SHEET 1 OF 2

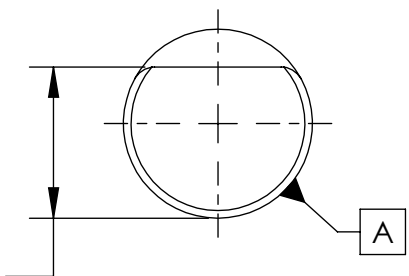
THE INFORMATION CONTAINED IN THIS DRAWING IS THE SOLE PROPERTY OF OCTANE FITNESS. ANY REPRODUCTION IN PART OR WHOLE WITHOUT THE WRITTEN PERMISSION OF OCTANE FITNESS IS PROHIBITED.

REV	DESCRIPTION	ECN #	DATE	ENG
-	See Sheet 1	-	-	-



$\phi$  24.9500  
 $\phi$  24.9300  
 ENTIRE LENGTH  
 $\phi$  0.025

20.00  
19.95

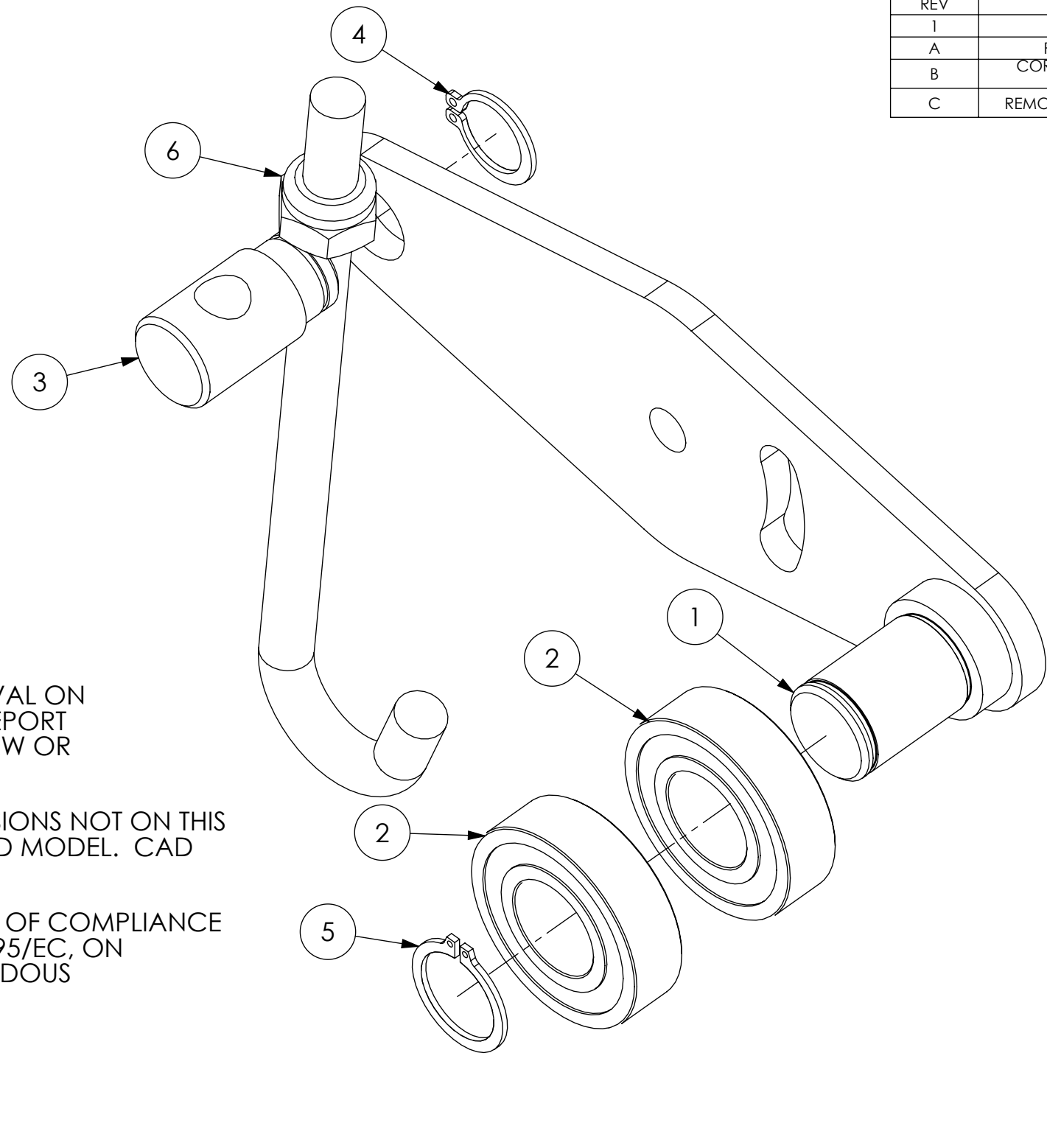


- NOTES:
1. MATERIAL: ALLOY STEEL, MINIMUM SURFACE HARDNESS - 45 HRC.
  2. FINISH: RUST PREVENTATIVE
  3. FASTEN WELDMENT TO MASTER CHECK SHAFT WITH M10 BOLT TORQUED TO 20 N-M.

UNLESS OTHERWISE SPECIFIED DIMENSIONS ARE IN MILLIMETERS		<b>OCTANE FITNESS</b> <i>Fuel Your Life</i>	
<b>TOLERANCES ARE:</b>		PART DESCRIPTION	
<b>DECIMALS</b>	<b>ANGLES</b>	MASTER INSPECTION SHAFT	
.X $\pm$ 0.6	$\pm$ 0.5°		
.XX $\pm$ 0.20			
.XXX $\pm$ 0.100			
APPROVALS	DATE	SIZE	DWG. NO.
---	10/18/2006	B	101516-001
SCALE 1:1		DO NOT SCALE DRAWING	
SHEET 2 OF 2		REV. C	

THE INFORMATION CONTAINED IN THIS DRAWING IS THE SOLE PROPERTY OF OCTANE FITNESS. ANY REPRODUCTION IN PART OR WHOLE WITHOUT THE WRITTEN PERMISSION OF OCTANE FITNESS IS PROHIBITED.

REV	DESCRIPTION	ECO #	DATE	ENG
1	RELEASE FOR QUOTE		22MAR07	MRN
A	RELEASE FOR PRODUCTION	001-00-014711	3/1/2008	CJR
B	CORRECTED BOM, DID NOT SHOW WELDMENT	001-00-014711	4/3/2008	MRN
C	REMOVED CENTER HOLE FROM SHAFT	001-00-014847	4/8/2009	BHG



- NOTES:
- OCTANE FITNESS ENGINEERING APPROVAL ON FIRST SAMPLES AND VENDOR INSPECTION REPORT REQUIRED PRIOR TO PRODUCTION FROM NEW OR REVISED TOOLING.
  - CAD GENERATED MODEL. ANY DIMENSIONS NOT ON THIS PRINT SHOULD BE EXTRACTED FROM THE CAD MODEL. CAD MODEL IS DRIVING DOCUMENT.
  - SUPPLIER MUST SUPPLY A DECLARATION OF COMPLIANCE WITH EUROPEAN COUNCIL DIRECTIVE 2002/95/EC, ON THE RESTRICTION OF USE OF CERTAIN HAZARDOUS SUBSTANCES (RoHS).

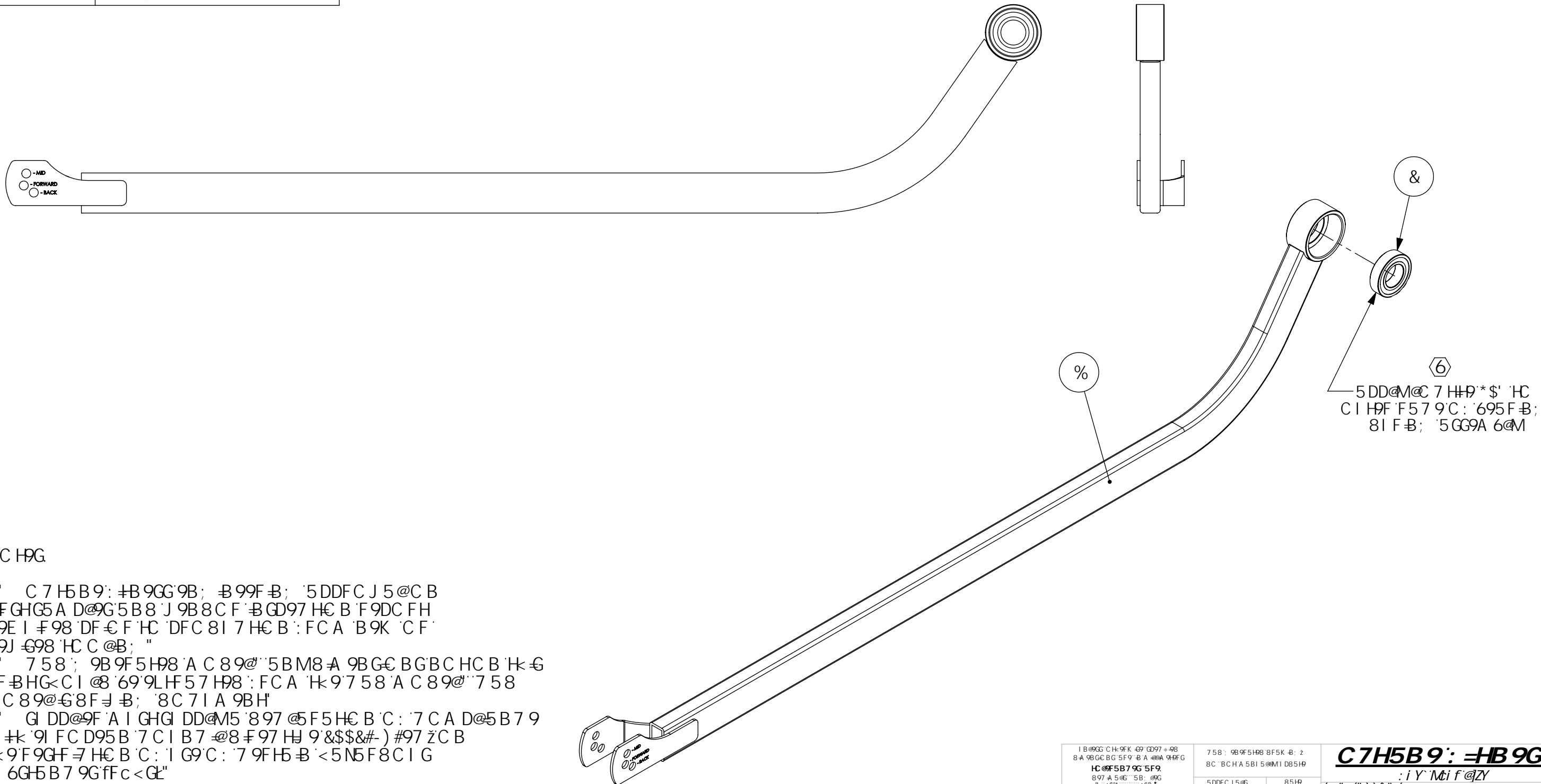
ITEM NO.	PART NUMBER	DESCRIPTION	QTY.
1	102200-001	WELDMENT, BELT TENSIONER	1
2	100366-001	BEARING, BALL, 6004Z	2
3	100468-001	SHAFT, TENSIONER J-HOOK	1
4	100713-001	RING, EXT RETAINING, 16MM	1
5	100450-001	RING, EXT RETAINING, 20MM	1
6	950046-009	NUT, HEX, NYLON INSERT, STL, M10	1
7	101529-001	BOLT, 10MM J-HOOK	1

UNLESS OTHERWISE SPECIFIED DIMENSIONS ARE IN MILLIMETERS		CAD GENERATED DRAWING, DO NOT MANUALLY UPDATE		<b>OCTANE FITNESS</b> <i>Fuel Your Life</i> PART DESCRIPTION ASSEMBLY, BELT TENSIONER	
<b>TOLERANCES ARE:</b> DECIMALS ANGLES .X ±0.6 ±0.5° .XX ±0.2 .XXX ±0.1		APPROVALS	DATE		
MATERIAL		DRAWN	3/22/2007	DWG. NO. <b>102202-001</b> SCALE 1:1 SHEET 1 OF 1	
SEE NOTES		CHECKED	XX-XX-XX		
FINISH		RESP ENG	XX-XX-XX		
DO NOT SCALE DRAWING		MFG ENG	XX-XX-XX		
		QUAL ENG	XX-XX-XX	REV. C	

H:9 B: CFA 5HC B 7 C BH5 B 98 B H:6 8F5K B: G H:9 GC @DFC D9FH  
 C: C 7H5B9: #B9GG 5BMF9DFC 8I 7HC B B D5FHCF K <C @K #K C I H  
 H:9 K F #H9B D9FA GGC B C: C 7H5B9: #B9GG GDFC <6#98"

5DD@7 56@C 7H5B9: #B9GG GD97 ÷ 7 5HC BG	
GD97 BC "	GD97 ÷ 7 5HC B H#9
C: G \$\$\$	5DD@7 5HC B C: @C 7H#9: CF 695F-B; F9#BHC B
DH\$\$\$\$	695F-B; DF9GG CI H: CF79

F9J	89G7 F-DHC B	97 C	85H9	9B;
(	#9A 'K 5G- \$\$\$\$%\$%		%&#% #\$\$+	A FB
5	DFC 8I 7HC B F9@95G9	\$\$\$%\$!\$%( +)%	' # #&\$\$,	>7 K
6	7 <5B; 98 @C 7H#9 GD97 ÷ 7 5HC B: FCA '*\$- 'HC '*\$' 7 CFF97 H98 6CA 'CF89F B; '5B8 #9A 'BI A 69FGHC 'A 5H7 < 5GG9A 6@M: @9	\$\$\$%\$!\$%(, -'	+#&( #&\$-\$	876
7	7 <5B; 9HC 7 \$ 695F-B;	\$\$\$*-\$	(# \$#&\$%	F5<



BC H9G

% C 7H5B9: #B9GG 9B; B99F-B; 5DDFC J 5@C B  
 : #GHG5A D@G 5B8 J 9B8CF B GD97 HC B F9DC FH  
 F9E I #98 DF € F HC DFC 8I 7HC B: FCA 'B9K 'CF  
 F9J €98 HC C @B; "  
 &" 758; 9B9F5H98 'A C 89@' 5BM8 A 9BG€ BG'BC HC B H:€  
 DF B HG<C I @8 '69'9LHF 57H98: FCA 'H:9 758 'A C 89@' 758  
 A C 89@€8F ÷ B; '8C 7I A 9BH'  
 ' " GI DD@9F 'A I GHGI DD@M5 '897 @5F5HC B C: '7CA D@5B79  
 K #k '9I FC D95B '7 C I B 7 @8 F97 HJ 9'&\$&#- ) #97 žC B  
 H:9 F9GF ÷ 7HC B C: I G9C: '79FH5-B <5N5F8C I G  
 GI 6GH5B 79Gffc <G"

#9A 'BC "	D5FHBI A 69F	89G7 F-DHC B	E m'
%	\$\$\$%+*-\$!\$\$\$	K @8A H'5FA @B?	%
&	\$\$, *++!\$\$\$	695F-B; ž*\$)\$ '65 @žB6?ž7 \$	%

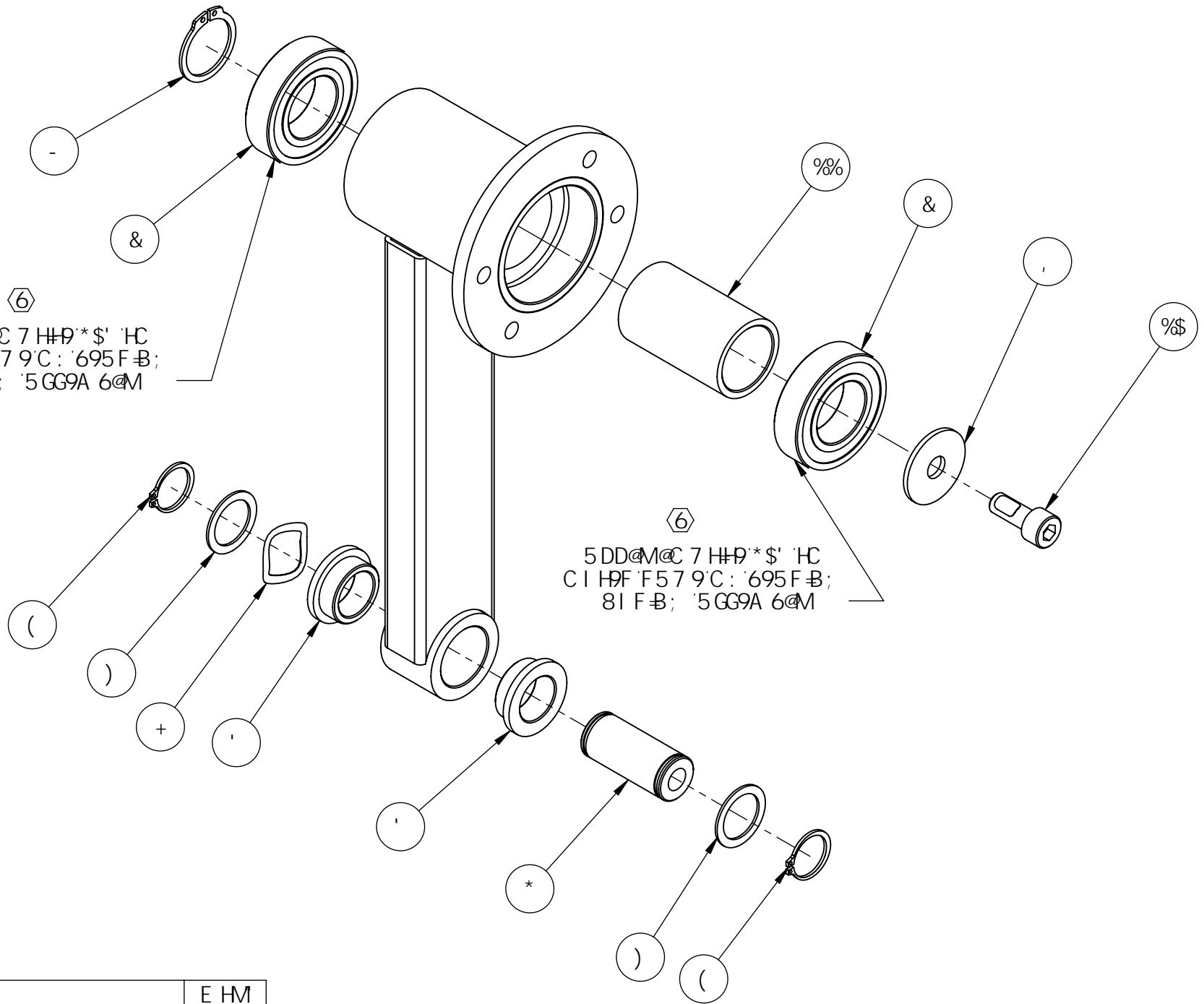
I B@9G CH:9FK @9 GD97 +98 8A 9BGC BG 5F9 B A @8A 9HFG HC @F5B79G 5F9 897 A 5@G 5B: @9G LL ±\$% LLL ±\$%		758: 9B9F5H98 8F5K B: 2 8C 'BCH A 5BI 5@M1 D85H9	<b>C7H5B9: #HB9GG</b> : i Y 'Mif' @ZY
A 5HF-5@	G99 BC H9G	7 <97798 !!! F9GD 9B: !!!	5GG9A 6@M 5FA ' @B?žF<
:B G<	G99 BC H9G	A: 9B: !!! E I 5@9B: !!!	8K: "BC" %\$&&, %\$\$\$ 7
8C 'BCH G7 5@9 8F5K B:		G7 5@9 % ( 758: @9	G<99HC: %



H:9 B: CFA 5HC B 7 C B H 5 B 98 " B " H: 6 8 F 5 K B: " G " H: 9 G C @ D F C D 9 F H M  
 C: C 7 H 5 B 9: # B 9 G G 5 B M F 9 D F C 8 1 7 H C B " B D 5 F H C F K < C @ K # K C 1 H  
 H: 9 K F # H 9 B D 9 F A G G C B C: C 7 H 5 B 9: # B 9 G G G D F C < 6 # 9 8 "

5DD@7 56@C 7 H 5 B 9: # B 9 G G G D 9 7 ÷ 7 5 H C B G	
GD97 " BC "	GD97 ÷ 7 5 H C B " H # 9
C: G \$\$\$	5DD@7 5 H C B C: @ C 7 H # 9: C F 6 9 5 F - B; F 9 # B H C B
D H D \$\$\$ %	6 9 5 F - B; D F 9 G G C I H: C F 7 9

F 9 J	8 9 G 7 F - D H C B	9 7 C	8 5 H 9	9 B;
5	D F C 8 1 7 H C B F 9 @ 9 5 G 9	\$\$\$ \$ \$ ! \$ % ( + %	' # # & \$ \$,	8 7 6
6	5 8 8 9 8 @ C 7 H # 9 * \$ ' B C H 9 H C ' 6 5 @ 6 9 5 F - B; G	\$\$\$ \$ \$ ! \$ % ( , - '	+ # & ( # & \$ \$ -	8 7 6
7	7 < 5 B; 9 H C ' 7 \$ ' 6 9 5 F - B;	\$\$\$ * - \$	( # # & \$ %	F 5 <



5DD@M@C 7 H # 9 \* \$ ' H C  
 C I H 9 F F 5 7 9 C: ' 6 9 5 F - B;  
 8 1 F - B; ' 5 G G 9 A 6 @ M

5DD@M@C 7 H # 9 \* \$ ' H C  
 C I H 9 F F 5 7 9 C: ' 6 9 5 F - B;  
 8 1 F - B; ' 5 G G 9 A 6 @ M

BC H 9 G  
 % C 7 H 5 B 9: # B 9 G G 9 B; B 9 9 F - B; ' 5 D D F C J 5 @ C B  
 : F G H G 5 A D @ G 5 B 8 J 9 B 8 C F - B G D 9 7 H C B F 9 D C F H  
 F 9 E I F 9 8 D F € F H C D F C 8 1 7 H C B: F C A ' B 9 K ' C F  
 F 9 J € 9 8 H C C @ B; "  
 & " 7 5 8; 9 B 9 F 5 H 9 8 A C 8 9 @ ' 5 B M 8 A 9 B G € B G B C H C B ' H: 6  
 D F - B H G < C I @ 8 ' 6 9 9 L H F 5 7 H 9 8: F C A ' H: 9 7 5 8 A C 8 9 @ ' 7 5 8  
 A C 8 9 @ € 8 F # B; ' 8 C 7 I A 9 B H  
 ' " G I D D @ 9 F ' A I G H G I D D @ M 5 ' 8 9 7 @ 5 F 5 H C B C: ' 7 C A D @ 5 B 7 9  
 K # k ' 9 I F C D 9 5 B 7 C I B 7 @ 8 F 9 7 H J 9 & \$ \$ # ) # 9 7 ž C B  
 H: 9 F 9 G F 7 H C B C: ' I G 9 C: ' 7 9 F H 5 - B < 5 N 5 F 8 C I G  
 G I 6 G H 5 B 7 9 G f f c < G "

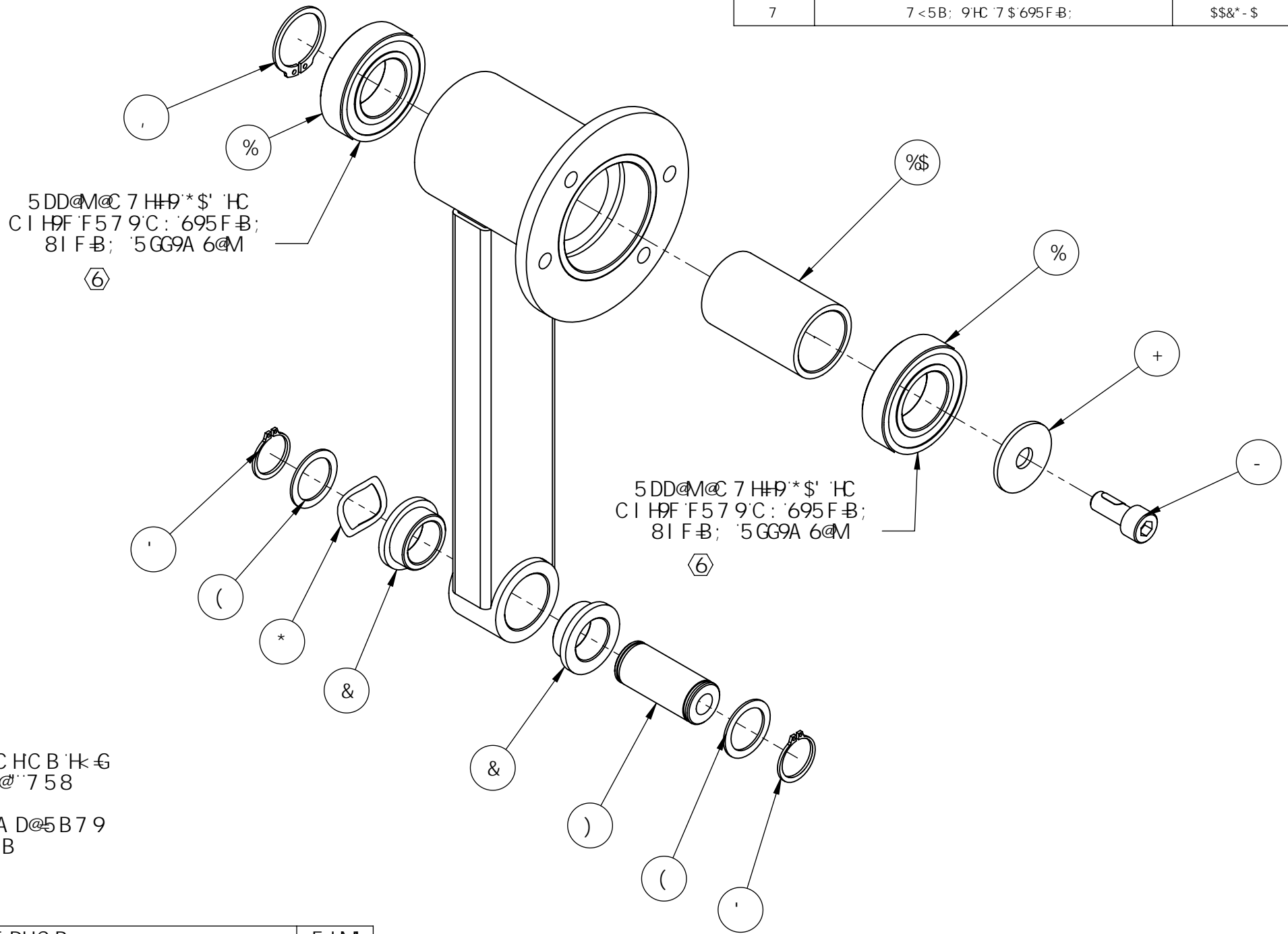
# 9 A " BC "	D 5 F H B I A 6 9 F	8 9 G 7 F - D H C B	E H M
%	% \$ & % , ! \$ \$ %	K 9 @ 8 A 9 B H 2 F C 7 ? 9 F F ÷ < H	%
&	% \$ , * + ! \$ \$ %	6 9 5 F - B; ž * \$ \$ ) ' 6 5 @ B 6 ? ž 7 \$	&
'	% \$ \$ ' + ) ! \$ \$ %	6 9 5 F - B; ž: @ B; 9 8 ž % ' 8 - 5 "	&
(	- \$ \$ \$ \$ ! \$ \$ %	F - B; ž F 9 H 5 - B - B; ž % A A	&
)	- \$ \$ \$ \$ ) ! \$ \$ %	K 5 G < 9 F ž % " ) ' L & ) ' L % ž G H	&
*	% \$ & ( * + ! \$ \$ %	G < 5: H 2 5 F A @ B ?	%
+	- \$ \$ \$ \$ ( ! \$ \$ %	K 5 G < 9 F ž K 5 J 9 ž % " ' L ' & * " \$ ' L " " ) "	%
,	% \$ & ) & * ! \$ \$ %	K 5 G < 9 F ž A , ' L ' ' \$ ' L &	%
-	- \$ \$ \$ \$ - ! \$ \$ %	F - B; ž F 9 H 5 - B - B; ž & ) A A	%
% \$	% \$ % & - ) ! \$ \$ %	G 7 F 9 K ž A , ' L % & ) ' L ' & \$ " @ G < 7 G ž 6 @ 5 7 ? ' N B 7 ž % & " - ' G H @	%
% %	% \$ & ) & + ! \$ \$ %	G D 5 7 9 F ž 5 F A ' D J C H 6 9 5 F - B;	%

I B @ 9 G C H: 9 K @ 9 7 @ 9 7 + 9 8 8 A 9 B G C B G 5 F 9 - B A @ 8 A 9 H F G <b>H C @ F 5 B 7 9 G 5 F 9</b> 8 9 7 A 5 @ G 5 B: @ G ' L ' \$ \$ % L L L \$ \$ %	7 5 8: 9 B 9 F 5 H 9 8 8 F 5 K B: 2 8 C ' B C H A 5 B I 5 @ M I D 8 5 H 9 5 D D F C J 5 @ G 8 5 H 9 8 F 5 K B > 7 K - # & , # & \$ \$ +	<b>C 7 H 5 B 9: # B 9 G G</b> : i Y ' M i f @ Z Y U O E U V / O O U O U O V O P 5 G G 9 A 6 @ M F C 7 ? 9 F F ÷ < H
A 5 H F - 5 @ G 9 9 B C H 9 G	7 < 9 7 9 8 !!! L L I L L I L L F 9 G D 9 8: !!! L L I L L I L L	G 9 9 B C H 9 G A: 9 B: !!! L L I L L I L L E I 5 @ 9 B: !!! L L I L L I L L
8 C ' B C H G 7 5 @ 8 F 5 K B:	G 7 5 @ % & 7 5 8: @ 9 %	G 9 9 B C H 9 G G 9 9 B C H 9 G G 7 5 @ % & 7 5 8: @ 9 %

H:9 B: CFA 5HC B 7 C BH5 B 98 B H:6 8F5K B: G H:9 GC @DFC D9FH  
 C: C7H5B9: #B9G 5BMF9DFC817HC B B D5FHC F K <C @K #K C1 H  
 H:9K F #H9B D9FA 6GC B C: C7H5B9: #B9G GDFC <6#98"

5DD@7 56@C 7H5B9: #B9GGD97 ÷ 7 5HC BG	
GD97 'BC"	GD97 ÷ 7 5HC B H#9
C: G \$\$\$*	5DD@7 5HC B C: @C 7H#9: CF 695F-B; F9#BHC B
DH\$\$\$\$%	695F-B; DF9G CI H: CF79

F9J	89G7 F-DHC B	97 C	85H9	9B;
%	F9@95G9: C F E I C H9		- #&+ #&\$\$+	>7 K
5	DFC 81 7 HC B F9@95G9	\$\$\$!\$!\$% (+%)	' # #&\$\$,	876
6	58898 @C 7H#9 *\$' B C H9 HC 65 @695F-B; G	\$\$\$!\$!\$% (-)	+ #& ( #&\$\$-	876
7	7 < 5B; 9HC 7 \$ 695F-B;	\$\$\$*-\$	(# \$ #&\$\$%	F5<



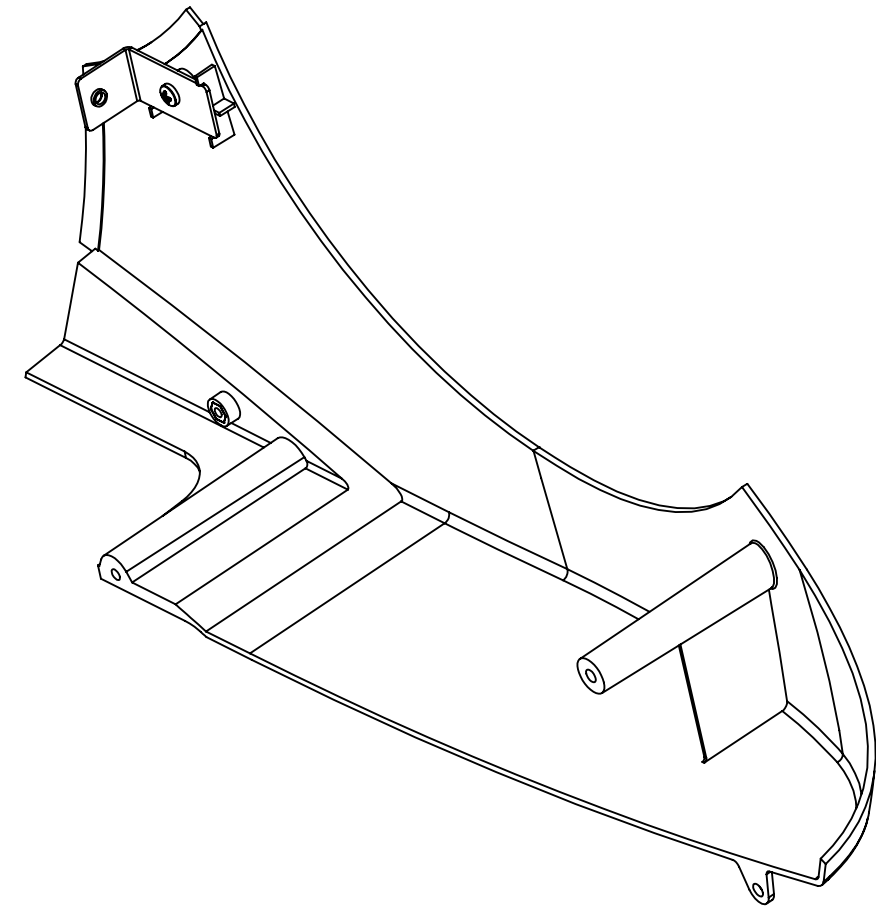
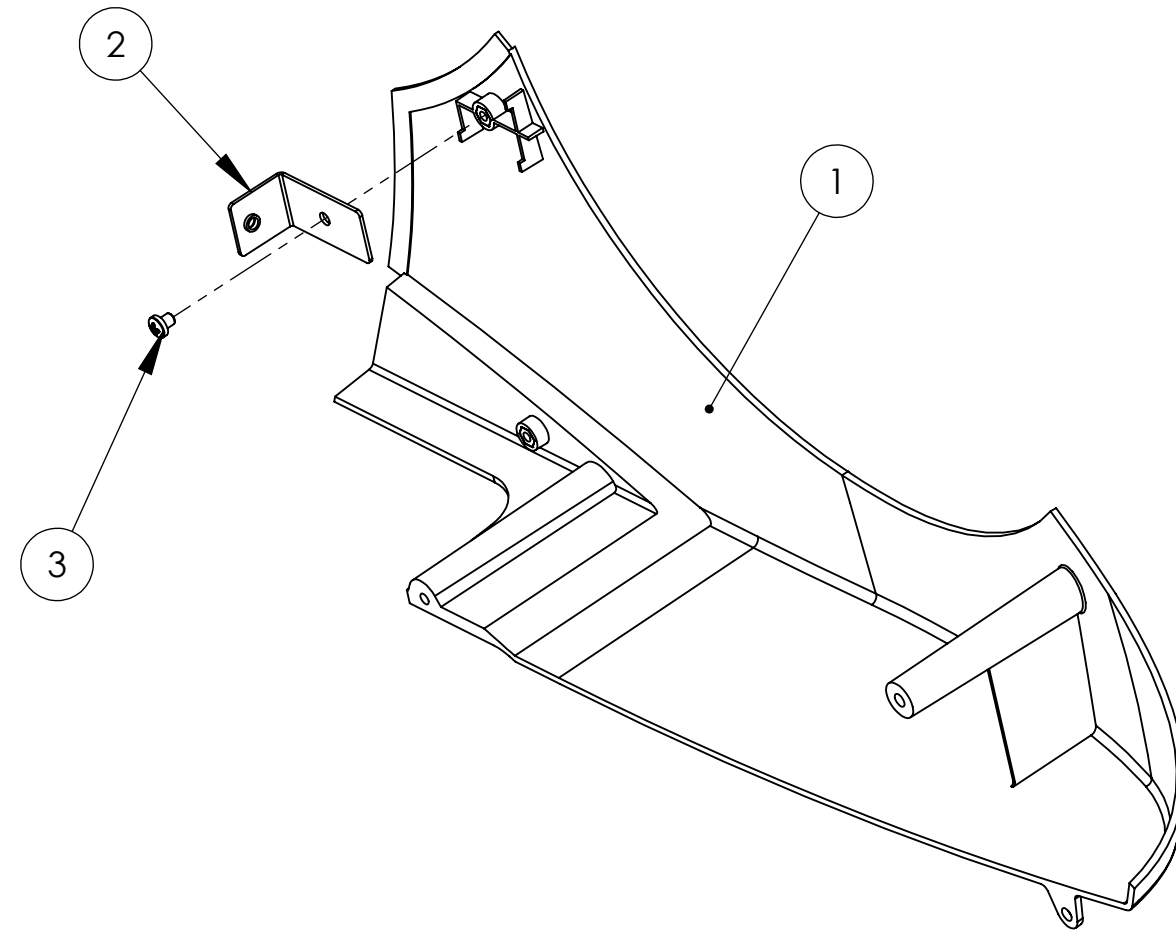
BC H9G  
 % C 7H5B9: #B9GG9B; B99F-B; 5DDFC J5@C B  
 : FGHG5A D@G5B8 J9B8CF BGD97 HC B F9DC FH  
 F9E I F98 DF € F HC DFC 81 7 HC B: FCA B9K CF  
 F9J 698 HC C @B; "  
 &" 758; 9B9F5H98 A C 89@ 5BM8A 9BG€ BGBC HC B H:6  
 DF BHG<C I @ 699LHF57H98: FCA H:9758 A C 89@ 758  
 A C 89@68F ÷ B; 8C 71 A 9BH  
 " " GI DD@9F A I GHG DD@M5 897 @F5HC B C: 7 C A D@5B79  
 K #k 9I FC D95B 7 C I B7 @8 F97 HJ 9 &\$\$#- ) #97 ŽC B  
 H:9F9GF ÷ HC B C: I G9C: 7 9FH5 B < 5N5F8C I G  
 GI 6G5B7 9GfFc <G"

#9A 'BC"	D5FHBI A 69F	89G7 F-DHC B	E HM
%	%, *+!\$\$\$%	695F-B; Ž*\$\$\$) 65 @B6?Ž7 \$	&
&	%\$\$' +)!\$\$\$%	695F-B; Ž: @B; 98Ž% '8-5"	&
'	-\$\$\$\$!\$\$\$%	F-B; ŽF9H5-B-B; Ž% A A	&
(	-\$\$\$\$!\$\$\$%	K 5G<9FŽ% ") L &) L %žGH	&
)	%\$\$ (*+!\$\$\$%	G<5: Hž5FA @B?	%
*	-\$\$\$\$(!\$\$\$%	K 5G<9FŽK 5J 9ž% " L &*"\$L "" )	%
+	%\$\$& &*!\$\$\$%	K 5G<9FŽA , L " \$L &	%
,	-\$\$\$\$-!\$\$\$%	F-B; ŽF9H5-B-B; Ž&) A A	%
-	%\$\$&-)!\$\$\$%	G7 F9K ŽA , L %&) L &\$\$@G<7 Gž6@7? 'NB7 ž%&"- GH@	%
/%	%\$\$& &+!\$\$\$%	GD57 9Fž5FA D J C H695F-B;	%
%%	%\$\$%+ (&\$\$\$%	K 9@BA 9BHžFC 7?9Fž@: H	%

1 B@9G CH:9K 69 CD97 +98 8A 9BGC BG 5F9 B A @8A 9HFG HC @F5B79G 5F9 897 A 5@G 5B: @G LL ±\$% LLL ±\$%	758: 9B9F5H98 8F5K B: 2 8C BCHA 5B1 5@M1 D85H9	<b>C7H5B9: #B9GG</b> : i Y 'Mif @ZY
A 5HF-5@	5DDFC J5@G 85H9 7 < 97798 F9@9B: !!!	U@EJV@OU@U@V@P >7 K - #&+ #&\$\$+
:B6<	G99 BC H9G A: 9B: !!! E I 5@9B: !!!	5GG9A 6@M F C 7?9F '@: H %\$\$&) %!\$\$\$% F9J 7
8C B'CHG 75@ 8F5K B:	LL!LL!LL LL!LL!LL LL!LL!LL	G7 5@ %& 758: @ G<99HC: %

THE INFORMATION CONTAINED IN THIS DRAWING IS THE SOLE PROPERTY OF OCTANE FITNESS. ANY REPRODUCTION IN PART OR WHOLE WITHOUT THE WRITTEN PERMISSION OF OCTANE FITNESS IS PROHIBITED.

REV	DESCRIPTION	ECO #	DATE	ENG
A	PRODUCTION RELEASE	001-00-014711	3/20/2008	DCB



NOTES:

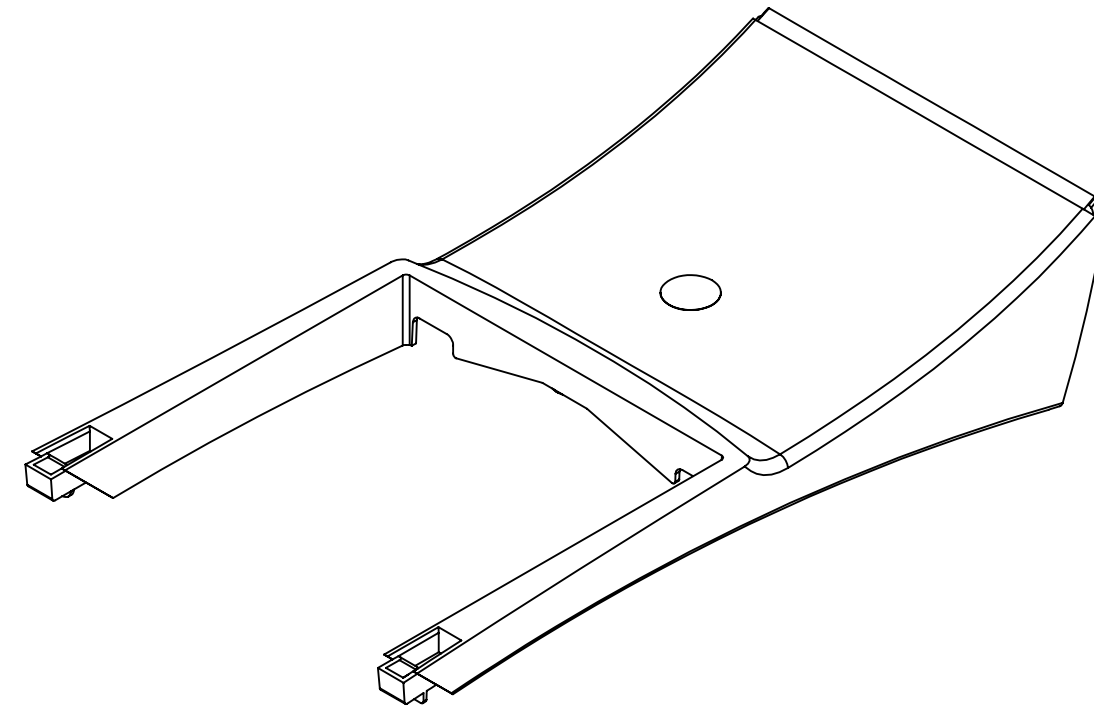
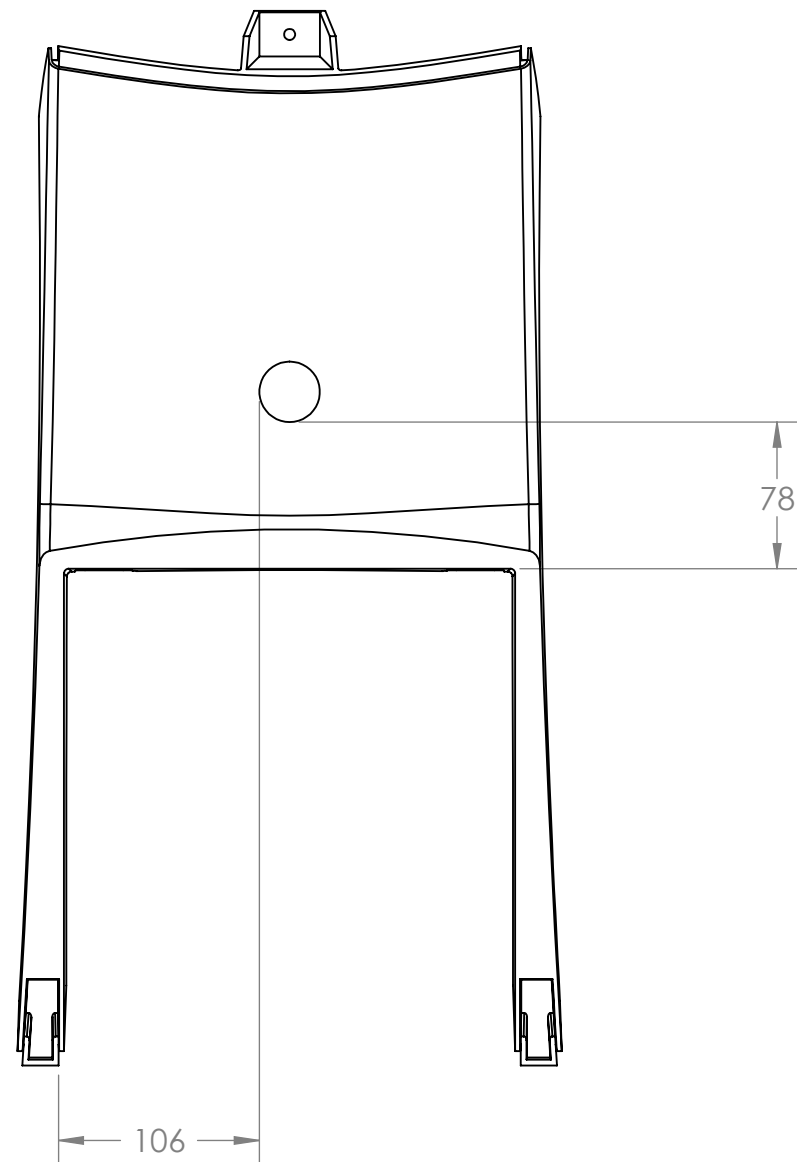
- OCTANE FITNESS ENGINEERING APPROVAL ON FIRST SAMPLES AND VENDOR INSPECTION REPORT REQUIRED PRIOR TO PRODUCTION FROM NEW OR REVISED TOOLING.
- CAD GENERATED MODEL. ANY DIMENSIONS NOT ON THIS PRINT SHOULD BE EXTRACTED FROM THE CAD MODEL. CAD MODEL IS DRIVING DOCUMENT.
- SUPPLIER MUST SUPPLY A DECLARATION OF COMPLIANCE WITH EUROPEAN COUNCIL DIRECTIVE 2002/95/EC, ON THE RESTRICTION OF USE OF CERTAIN HAZARDOUS SUBSTANCES (RoHS).

ITEM NO.	PART NUMBER	DESCRIPTION	QTY.
1	102253-001	COVER, ARM LINK, LEFT	1
2	102292-001	BRACKET, SHROUD	1
3	101013-001	SCREW, M5 X 0.8 X 6, PAN HEAD, TYPE 1 CROSS RECESSED, CZ	1

UNLESS OTHERWISE SPECIFIED DIMENSIONS ARE IN MILLIMETERS <b>TOLERANCES ARE:</b> DECIMALS ANGLES .X ±0.6 ±0.5° .XX ±0.2 .XXX ±0.1		CAD GENERATED DRAWING, DO NOT MANUALLY UPDATE		<b>OCTANE FITNESS</b> <i>Fuel Your Life</i>	
APPROVALS		DATE		PART DESCRIPTION	
DRAWN		3/20/2008		ASSEMBLY, LEFT ARM LINK COVER	
MATERIAL		CHECKED		RESP ENG	
SEE NOTES		---		XX-XX-XX	
FINISH		MFG ENG		QUAL ENG	
SEE NOTES		---		XX-XX-XX	
DO NOT SCALE DRAWING		---		XX-XX-XX	
SCALE 1:3		CAD FILE:		SHEET 1 OF 1	
SIZE B		DWG. NO. 103049-001		REV. A	

THE INFORMATION CONTAINED IN THIS DRAWING IS THE SOLE PROPERTY OF OCTANE FITNESS. ANY REPRODUCTION IN PART OR WHOLE WITHOUT THE WRITTEN PERMISSION OF OCTANE FITNESS IS PROHIBITED.

REV	DESCRIPTION	ECO #	DATE	ENG
A	PRODUCTION RELEASE	001-00-014711	3/21/2008	DCB



NOTES:

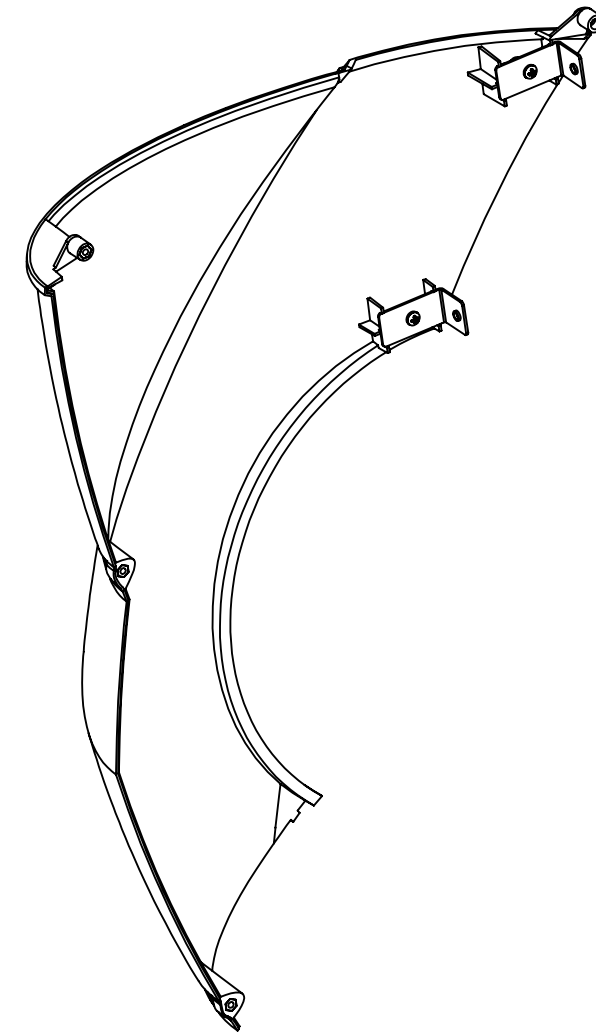
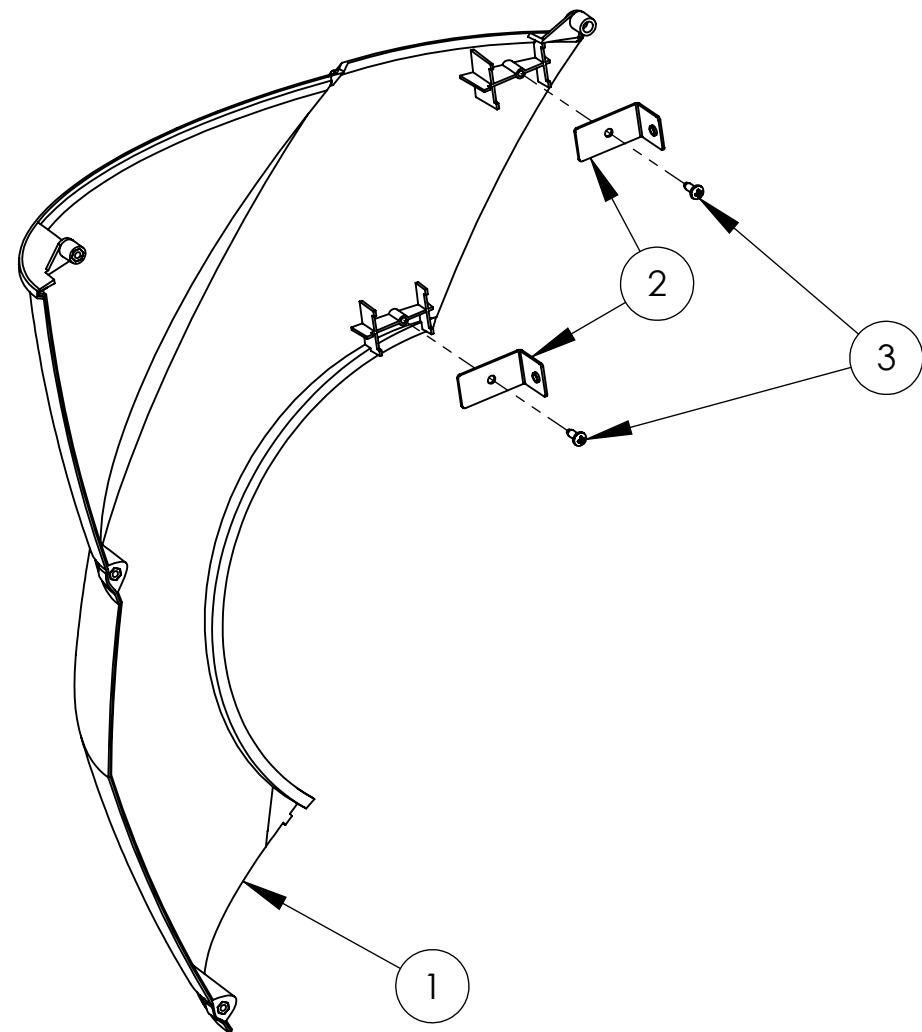
- OCTANE FITNESS ENGINEERING APPROVAL ON FIRST SAMPLES AND VENDOR INSPECTION REPORT REQUIRED PRIOR TO PRODUCTION FROM NEW OR REVISED TOOLING.
- CAD GENERATED MODEL. ANY DIMENSIONS NOT ON THIS PRINT SHOULD BE EXTRACTED FROM THE CAD MODEL. CAD MODEL IS DRIVING DOCUMENT.
- SUPPLIER MUST SUPPLY A DECLARATION OF COMPLIANCE WITH EUROPEAN COUNCIL DIRECTIVE 2002/95/EC, ON THE RESTRICTION OF USE OF CERTAIN HAZARDOUS SUBSTANCES (RoHS).

ITEM NO.	PART NUMBER	DESCRIPTION	QTY.
1	102261-001	SHROUD, MID-SECTION	1
2	103069-001	LABEL, FOOT	1

UNLESS OTHERWISE SPECIFIED DIMENSIONS ARE IN MILLIMETERS		CAD GENERATED DRAWING, DO NOT MANUALLY UPDATE		<b>OCTANE FITNESS</b> <i>Fuel Your Life</i> PART DESCRIPTION ASSEMBLY, SHROUD, MIDSECTION	
<b>TOLERANCES ARE:</b> DECIMALS ANGLES .X ±0.6 ±0.5° .XX ±0.2 .XXX ±0.1		APPROVALS	DATE		
MATERIAL		DRAWN	3/21/2008	SIZE DWG. NO. 103071-001 REV. A SCALE 1:4 CAD FILE: SHEET 1 OF 1	
SEE NOTES		CHECKED	XX-XX-XX		
FINISH		RESP ENG	XX-XX-XX		
SEE NOTES		MFG ENG	XX-XX-XX		
DO NOT SCALE DRAWING		QUAL ENG	XX-XX-XX		

THE INFORMATION CONTAINED IN THIS DRAWING IS THE SOLE PROPERTY OF OCTANE FITNESS. ANY REPRODUCTION IN PART OR WHOLE WITHOUT THE WRITTEN PERMISSION OF OCTANE FITNESS IS PROHIBITED.

REV	DESCRIPTION	ECO #	DATE	ENG
A	PRODUCTION RELEASE	001-00-014760	6/18/08	MRN



NOTES:

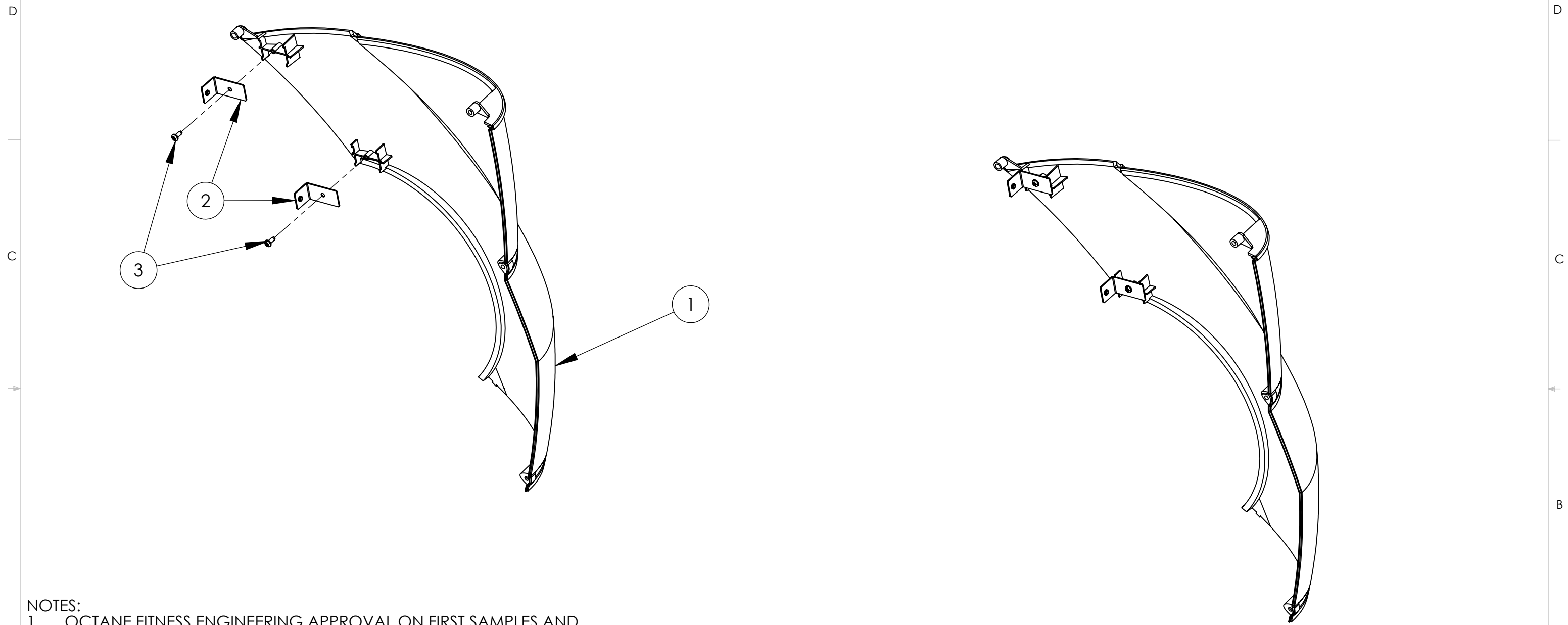
- OCTANE FITNESS ENGINEERING APPROVAL ON FIRST SAMPLES AND VENDOR INSPECTION REPORT REQUIRED PRIOR TO PRODUCTION FROM NEW OR REVISED TOOLING.
- CAD GENERATED MODEL. ANY DIMENSIONS NOT ON THIS PRINT SHOULD BE EXTRACTED FROM THE CAD MODEL. CAD MODEL IS DRIVING DOCUMENT.
- SUPPLIER MUST SUPPLY A DECLARATION OF COMPLIANCE WITH EUROPEAN COUNCIL DIRECTIVE 2002/95/EC, ON THE RESTRICTION OF USE OF CERTAIN HAZARDOUS SUBSTANCES (RoHS).

ITEM NO.	PART NUMBER	DESCRIPTION	QTY.
1	103312-001	SHROUD, FRONT, RIGHT	1
2	102292-001	BRACKET, SHROUD	2
3	100429-001	SCREW, M4.8 X 1.6 X 13 TYPE B, TYPE 1 CROSS RECESS PAN HEAD, ST, BZ	2

UNLESS OTHERWISE SPECIFIED DIMENSIONS ARE IN MILLIMETERS <b>TOLERANCES ARE:</b> DECIMALS ANGLES .X ±0.6 ±0.5° .XX ±0.2 .XXX ±0.1		CAD GENERATED DRAWING, DO NOT MANUALLY UPDATE		<b>OCTANE FITNESS</b> <i>Fuel Your Life</i>	
MATERIAL SEE NOTES		APPROVALS DRAWN	DATE 6/18/08		
FINISH SEE NOTES		CHECKED ----	XX-XX-XX	SIZE B DWG. NO. 103314-001 REV. A	
DO NOT SCALE DRAWING		RESP ENG ----	XX-XX-XX		
		MFG ENG ----	XX-XX-XX		
		QUAL ENG ----	XX-XX-XX		

THE INFORMATION CONTAINED IN THIS DRAWING IS THE SOLE PROPERTY OF OCTANE FITNESS. ANY REPRODUCTION IN PART OR WHOLE WITHOUT THE WRITTEN PERMISSION OF OCTANE FITNESS IS PROHIBITED.

REV	DESCRIPTION	ECO #	DATE	ENG
A	PRODUCTION RELEASE	001-00-014760	6/19/08	MRN



- NOTES:
- OCTANE FITNESS ENGINEERING APPROVAL ON FIRST SAMPLES AND VENDOR INSPECTION REPORT REQUIRED PRIOR TO PRODUCTION FROM NEW OR REVISED TOOLING.
  - CAD GENERATED MODEL. ANY DIMENSIONS NOT ON THIS PRINT SHOULD BE EXTRACTED FROM THE CAD MODEL. CAD MODEL IS DRIVING DOCUMENT.
  - SUPPLIER MUST SUPPLY A DECLARATION OF COMPLIANCE WITH EUROPEAN COUNCIL DIRECTIVE 2002/95/EC, ON THE RESTRICTION OF USE OF CERTAIN HAZARDOUS SUBSTANCES (RoHS).

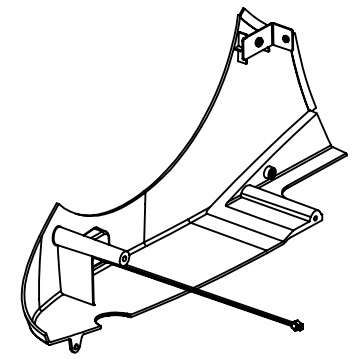
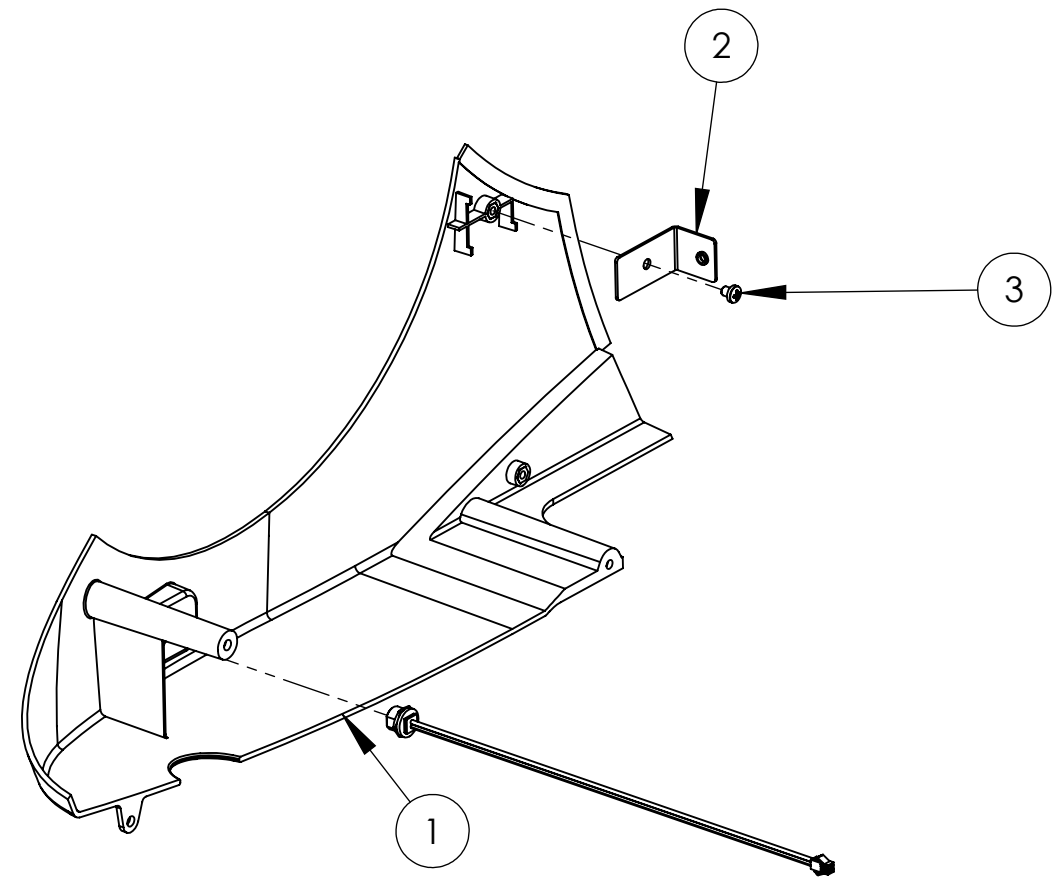
ITEM NO.	PART NUMBER	DESCRIPTION	QTY.
1	103313-001	SHROUD, FRONT, LEFT	1
2	102292-001	BRACKET, SHROUD	2
3	100429-001	SCREW, M4.8 X 1.6 X 13 TYPE B, TYPE 1 CROSS RECESS PAN HEAD, ST, BZ	2

UNLESS OTHERWISE SPECIFIED DIMENSIONS ARE IN MILLIMETERS <b>TOLERANCES ARE:</b> DECIMALS ANGLES .X ±0.6 ±0.5° .XX ±0.2 .XXX ±0.1		CAD GENERATED DRAWING, DO NOT MANUALLY UPDATE		<b>OCTANE FITNESS</b> <i>Fuel Your Life</i> PART DESCRIPTION ASSEMBLY, LEFT FRONT SHROUD - FLARE	
MATERIAL SEE NOTES		APPROVALS DRAWN	DATE 6/18/08		
FINISH SEE NOTES		CHECKED ----	XX-XX-XX	SIZE B	
DO NOT SCALE DRAWING		RESP ENG ----	XX-XX-XX	DWG. NO. 103315-001	
		MFG ENG ----	XX-XX-XX	REV. A	
		QUAL ENG ----	XX-XX-XX	SCALE 1:5 CAD FILE: SHEET 1 OF 1	



THE INFORMATION CONTAINED IN THIS DRAWING IS THE SOLE PROPERTY OF OCTANE FITNESS. ANY REPRODUCTION IN PART OR WHOLE WITHOUT THE WRITTEN PERMISSION OF OCTANE FITNESS IS PROHIBITED.

REV	DESCRIPTION	ECO #	DATE	ENG
A	PRODUCTION RELEASE	001-00-014760	6/18/08	MRN



NOTES:

- OCTANE FITNESS ENGINEERING APPROVAL ON FIRST SAMPLES AND VENDOR INSPECTION REPORT REQUIRED PRIOR TO PRODUCTION FROM NEW OR REVISED TOOLING.
- CAD GENERATED MODEL. ANY DIMENSIONS NOT ON THIS PRINT SHOULD BE EXTRACTED FROM THE CAD MODEL. CAD MODEL IS DRIVING DOCUMENT.
- SUPPLIER MUST SUPPLY A DECLARATION OF COMPLIANCE WITH EUROPEAN COUNCIL DIRECTIVE 2002/95/EC, ON THE RESTRICTION OF USE OF CERTAIN HAZARDOUS SUBSTANCES (RoHS).

ITEM NO.	PART NUMBER	DESCRIPTION	QTY.
1	103316-001	COVER, ARM LINK, RIGHT	1
2	102292-001	BRACKET, SHROUD	1
3	101013-001	SCREW, M5 X 0.8 X 6, PAN HEAD, TYPE 1 CROSS RECESSED, CZ	1
4	100855-001	CABLE ASSEMBLY, POWER INPUT, 0.7M	1

UNLESS OTHERWISE SPECIFIED DIMENSIONS ARE IN MILLIMETERS <b>TOLERANCES ARE:</b> DECIMALS ANGLES .X ±0.6 ±0.5° .XX ±0.2 .XXX ±0.1		CAD GENERATED DRAWING, DO NOT MANUALLY UPDATE		<b>OCTANE FITNESS</b> <i>Fuel Your Life</i>	
APPROVALS		DATE		PART DESCRIPTION	
DRAWN MRN		6/18/08		ASSEMBLY, RIGHT ARM LINK COVER	
MATERIAL SEE NOTES		CHECKED ---		XX-XX-XX	
FINISH SEE NOTES		RESP ENG ---		XX-XX-XX	
DO NOT SCALE DRAWING		MFG ENG ---		XX-XX-XX	
		QUAL ENG ---		XX-XX-XX	
		SCALE 1:4		DWG. NO. 103318-001	
		CAD FILE:		REV. A	
				SHEET 1 OF 1	

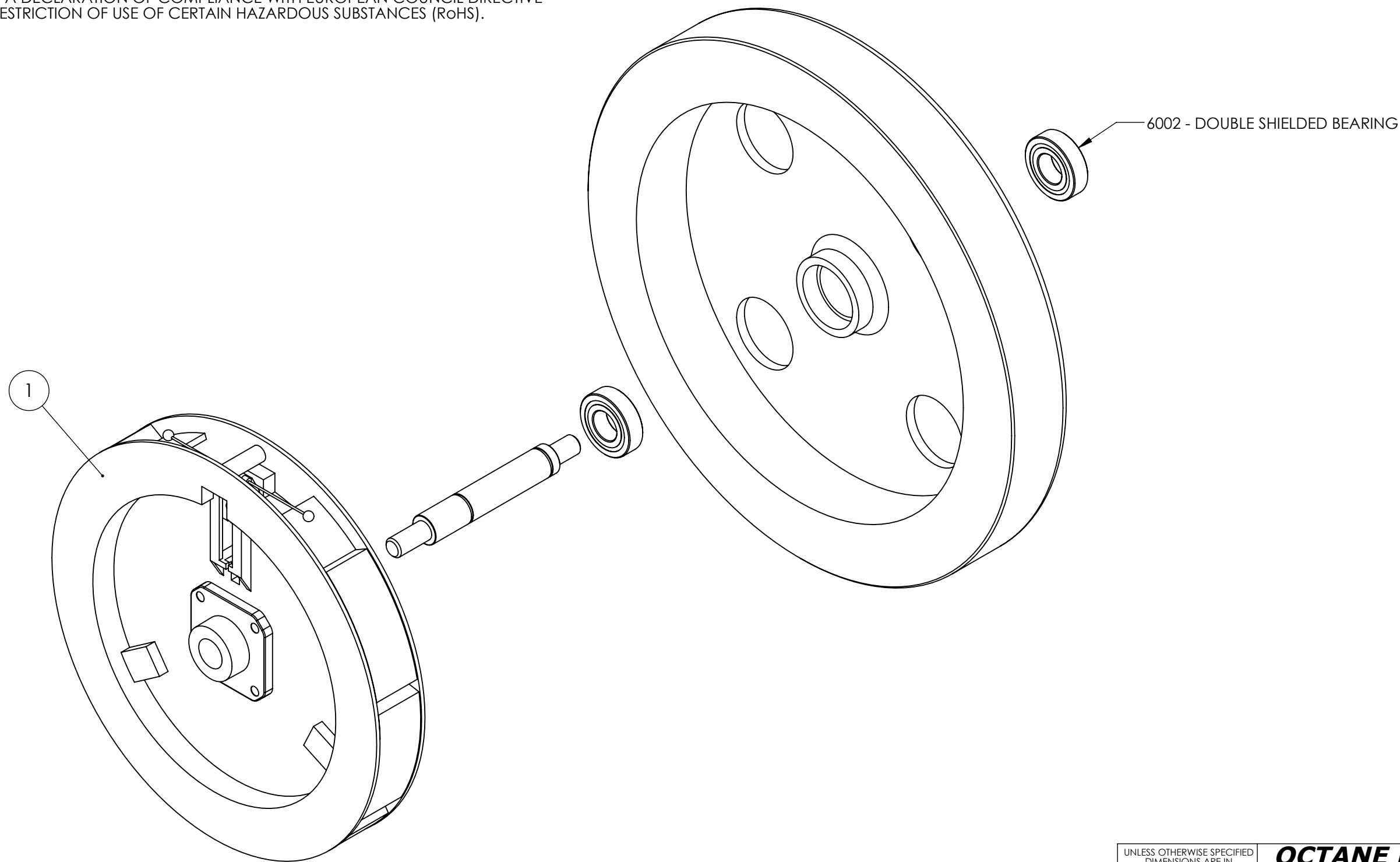


THE INFORMATION CONTAINED IN THIS DRAWING IS THE SOLE PROPERTY OF OCTANE FITNESS. ANY REPRODUCTION IN PART OR WHOLE WITHOUT THE WRITTEN PERMISSION OF OCTANE FITNESS IS PROHIBITED.

REV	DESCRIPTION	ECN #	DATE	ENG
A	RELEASE FOR PRODUCTION.	001-00-014926	10/7/2009	BHG

NOTES:

- OCTANE FITNESS ENGINEERING APPROVAL ON FIRST SAMPLE AND VENDOR INSPECTION REPORT REQUIRED PRIOR TO PRODUCTION FROM NEW OR REVISED TOOLING.
- SUPPLIER MUST SUPPLY A DECLARATION OF COMPLIANCE WITH EUROPEAN COUNCIL DIRECTIVE 2002/95/EC, ON THE RESTRICTION OF USE OF CERTAIN HAZARDOUS SUBSTANCES (RoHS).

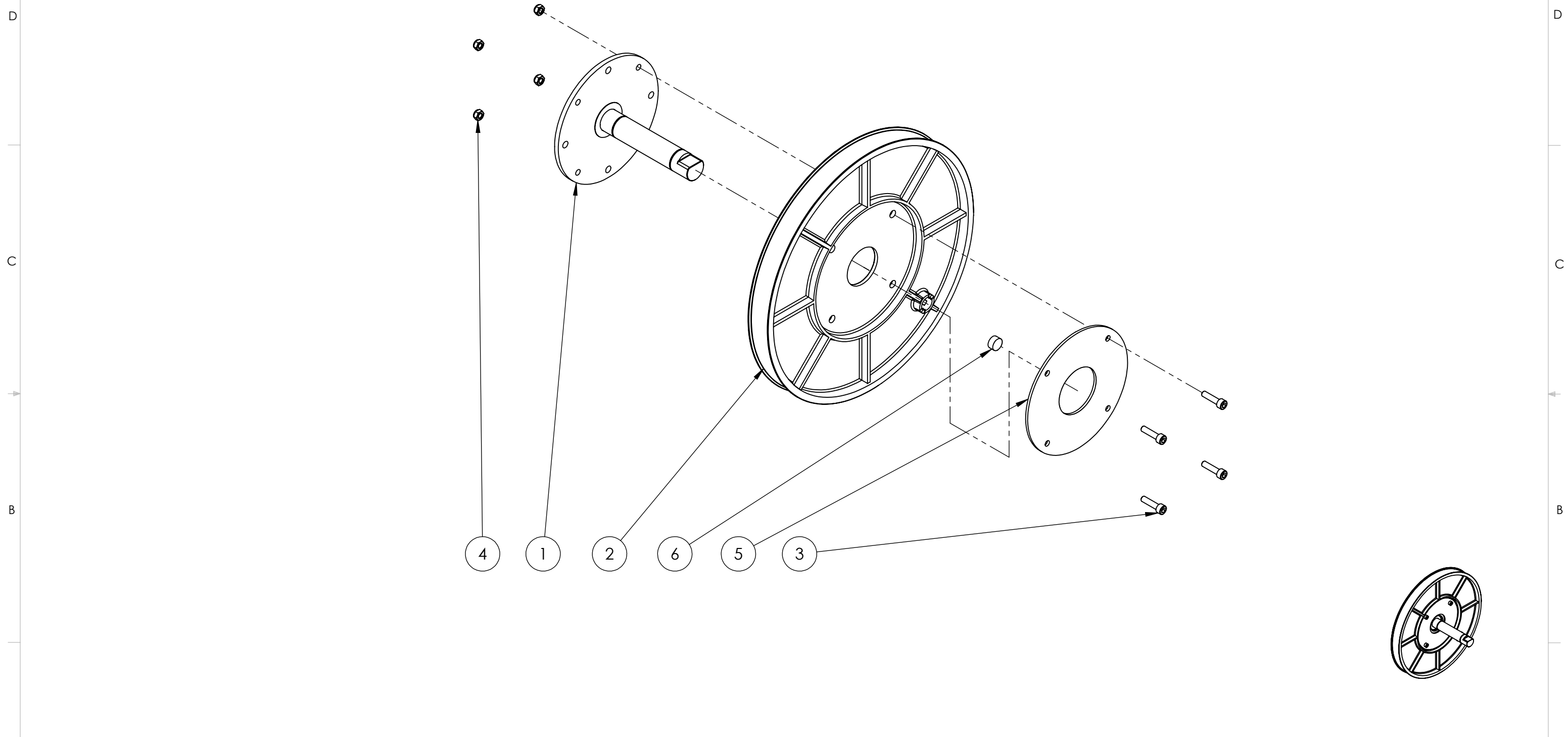


UNLESS OTHERWISE SPECIFIED DIMENSIONS ARE IN MILLIMETERS		<b>OCTANE FITNESS</b> <i>Fuel Your Life</i>	
<b>TOLERANCES ARE:</b>		PART DESCRIPTION	
<b>DECIMALS</b>	<b>ANGLES</b>	BRAKE, 274OD, 6 PERM MAGNETS, SS	
.X ±0.6	±0.5°		
.XX ±0.20			
.XXX ±0.100			
APPROVALS	DATE	SIZE	DWG. NO.
---	10/7/2009	B	104769-001
		SCALE 1:2	DO NOT SCALE DRAWING
		SHEET 1 OF 1	

ITEM NO.	PART NUMBER	DESCRIPTION	Qty.
1	104770-001	BRAKE, INT ASSY, 6 PERM MAGNETS, SS	1

THE INFORMATION CONTAINED IN THIS DRAWING IS THE SOLE PROPERTY OF OCTANE FITNESS. ANY REPRODUCTION IN PART OR WHOLE WITHOUT THE WRITTEN PERMISSION OF OCTANE FITNESS IS PROHIBITED.

REV	DESCRIPTION	ECN #	DATE	ENG
A	PRODUCTION RELEASE	001-00-015392	1/7/2013	MRN



ITEM NO.	PART NUMBER	DESCRIPTION	QTY
1	107835-001	WELDMENT, CRANK SHAFT	1
2	103372-001	PULLEY, DRIVE, RoHS	1
3	950006-010	B18.3.1M, M6 X 1.0 X 25.0L SHCS, BLACK ZINC, STL	4
4	950046-007	NUT, HEX, NYLON INSERT, STL, M6	4
5	100463-001	PLATE, PULLEY WASHER	1
6	100464-001	MAGNET, RPM PULLEY	1

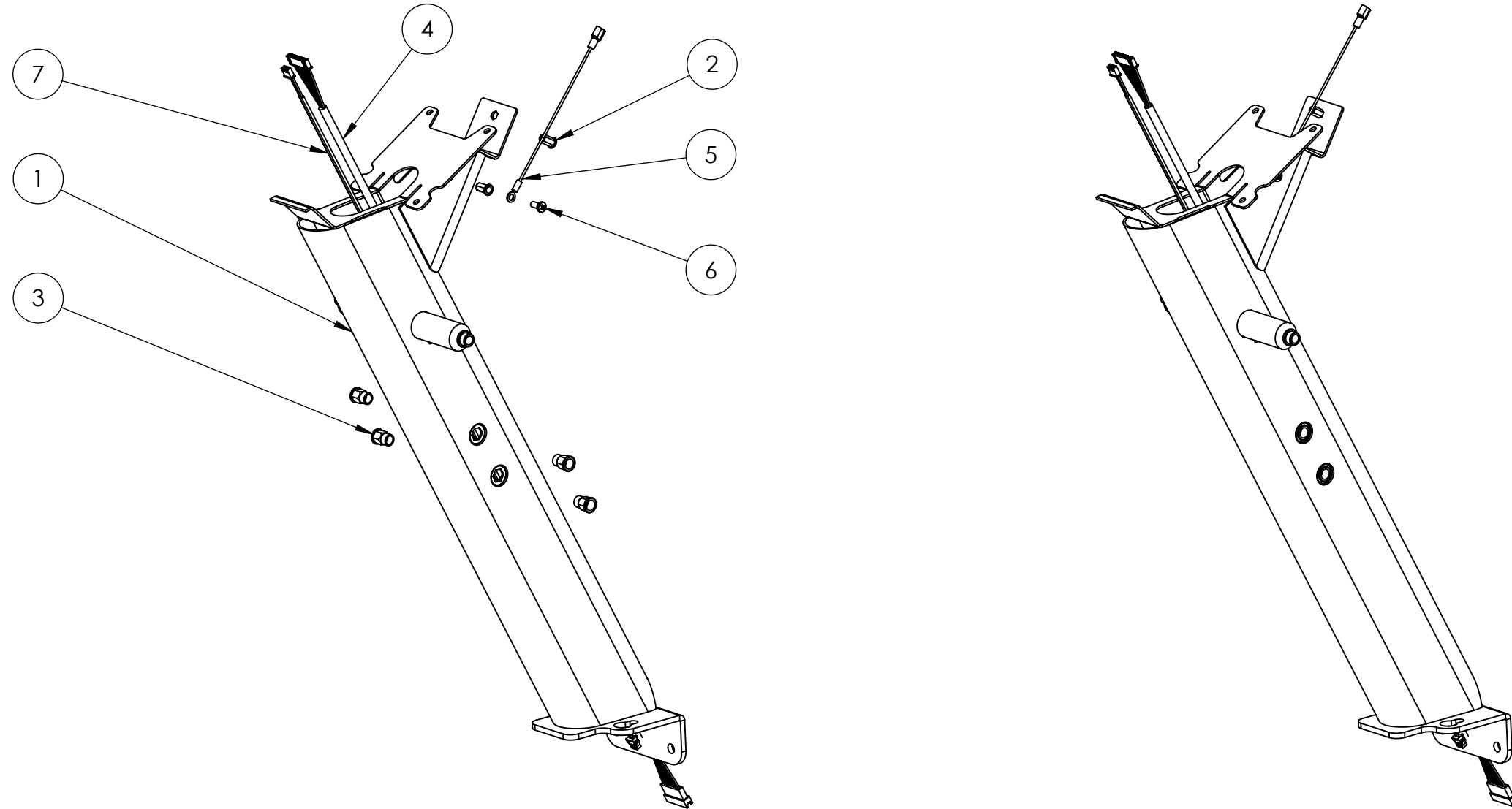
NOTES:

- TORQUE FASTENER TO 10 N-m (88 IN-LBS)
- OCTANE FITNESS ENGINEERING APPROVAL ON FIRST SAMPLE AND VENDOR INSPECTION REPORT REQUIRED PRIOR TO PRODUCTION FROM NEW OR REVISED TOOLING.
- SUPPLIER MUST SUPPLY A DECLARATION OF COMPLIANCE WITH EUROPEAN COUNCIL DIRECTIVE 2002/95/EC, ON THE RESTRICTION OF USE OF CERTAIN HAZARDOUS SUBSTANCES (RoHS).

UNLESS OTHERWISE SPECIFIED DIMENSIONS ARE IN MILLIMETERS		<b>OCTANE FITNESS</b> <i>Fuel Your Life</i>	
<b>TOLERANCES ARE:</b>		PART DESCRIPTION	
<b>DECIMALS</b>	<b>ANGLES</b>	ASSEMBLY, DRIVE PULLEY	
.X ±0.6	±0.5°		
.XX ±0.20			
.XXX ±0.100			
APPROVALS	DATE	SIZE	DWG. NO.
---	1/7/2013	B	107877-001
		SCALE 1:4	DO NOT SCALE DRAWING
		SHEET 1 OF 1	

THE INFORMATION CONTAINED IN THIS DRAWING IS THE SOLE PROPERTY OF OCTANE FITNESS. ANY REPRODUCTION IN PART OR WHOLE WITHOUT THE WRITTEN PERMISSION OF OCTANE FITNESS IS PROHIBITED.

REV	DESCRIPTION	ECN #	DATE	ENG
1	RELEASE FOR PROTOTYPE		11/20/2013	PRS
2	UPDATED DESIGN		3/31/2014	PRS
A	ADDED HEART RATE CABLE (ITEM 7), RELEASE FOR PRODUCTION	001-00-015502	5/20/2014	PRS



ITEM NO.	PART NUMBER	DESCRIPTION	QTY
1	108981-001	WELDMENT, CONSOLE MAST	1
2	900031-002	RIVNUT, BRASS, M5 X 0.8	2
3	101576-001	RIVNUT, BRASS, M8 X 1.25	4
4	100763-001	CABLE ASSEMBLY, MAST	1
5	100890-001	CABLE ASSEMBLY, FEMALE SPADE - 5MM EYELET	1
6	100554-001	SCREW, M5 X 0.8 X 12, PAN HEAD, TYPE 1 CROSS RECESSED, BZ	1
7	103078-001	HR CABLE UPPER	1

NOTES:

- OCTANE FITNESS ENGINEERING APPROVAL ON FIRST SAMPLE AND VENDOR INSPECTION REPORT REQUIRED PRIOR TO PRODUCTION FROM NEW OR REVISED TOOLING.
- SUPPLIER MUST SUPPLY A DECLARATION OF COMPLIANCE WITH EUROPEAN COUNCIL DIRECTIVE 2011/65/EU, ON THE RESTRICTION OF USE OF CERTAIN HAZARDOUS SUBSTANCES (RoHS).

UNLESS OTHERWISE SPECIFIED  
DIMENSIONS ARE IN  
MILLIMETERS

**TOLERANCES ARE:**

**DECIMALS**    **ANGLES**  
.X ±0.6            ±0.5°  
.XX ±0.20  
.XXX ±0.100

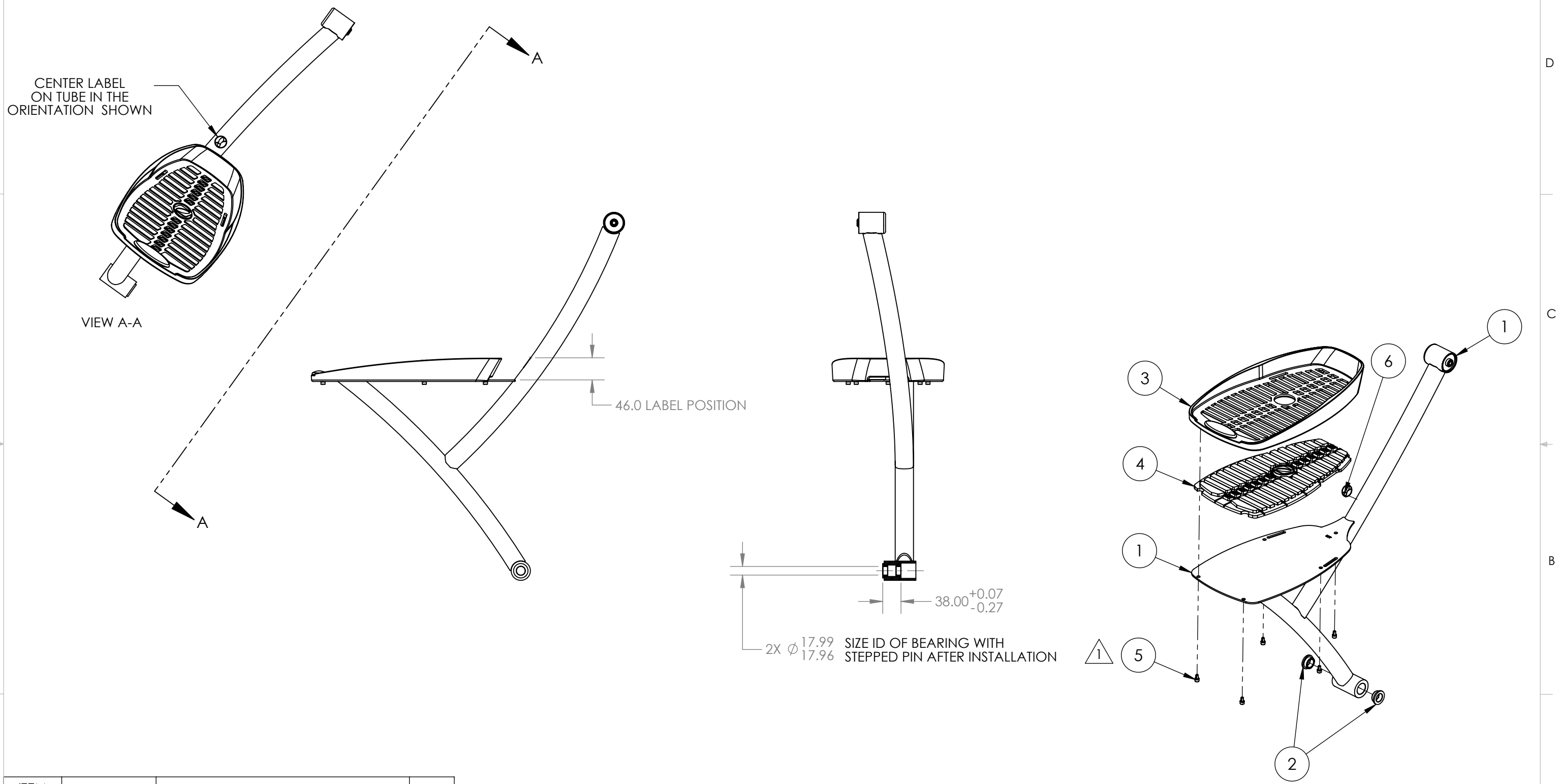
**OCTANE FITNESS**  
*Fuel Your Life*

PART DESCRIPTION  
ASSEMBLY, CONSOLE MAST

APPROVALS	DATE	SIZE	DWG. NO.	REV.
---	11/20/2013	B	108982-001	A
SCALE 1:5		DO NOT SCALE DRAWING		SHEET 1 OF 1

THE INFORMATION CONTAINED IN THIS DRAWING IS THE SOLE PROPERTY OF OCTANE FITNESS. ANY REPRODUCTION IN PART OR WHOLE WITHOUT THE WRITTEN PERMISSION OF OCTANE FITNESS IS PROHIBITED.

REV	DESCRIPTION	ECN #	DATE	ENG
1	RELEASE FOR PROTOTYPE		3/31/2014	PRS
A	RELEASE FOR PRODUCTION	001-00-015502	5/20/2014	PRS



ITEM NO.	PART NUMBER	DESCRIPTION	QTY
1	109205-001	WELDMENT, LEVER, PEDAL, LEFT	1
2	100375-001	BEARING, FLANGED, 18 DIA.	2
3	106270-001	PEDAL, SOFT TREAD	1
4	106277-001	INSERT, RUBBER TREAD, WIDE PEDAL	1
5	101298-001	SCREW, M5 X 0.8 X 10.0L SHCS, BLACK ZINC, 12.9 STL, SPRING WASHER	5
6	103069-001	LABEL, FOOT	1

NOTES:

- TORQUE FASTENER TO 5 N-M (3.5 FT-LBS)
- OCTANE FITNESS ENGINEERING APPROVAL ON FIRST SAMPLE AND VENDOR INSPECTION REPORT REQUIRED PRIOR TO PRODUCTION FROM NEW OR REVISED TOOLING.
- SUPPLIER MUST SUPPLY A DECLARATION OF COMPLIANCE WITH EUROPEAN COUNCIL DIRECTIVE 2002/95/EC, ON THE RESTRICTION OF USE OF CERTAIN HAZARDOUS SUBSTANCES (RoHS).

UNLESS OTHERWISE SPECIFIED DIMENSIONS ARE IN MILLIMETERS

**TOLERANCES ARE:**

DECIMALS	ANGLES
.X ±0.6	±0.5°
.XX ±0.20	
.XXX ±0.100	

**OCTANE FITNESS**  
*Fuel Your Life*

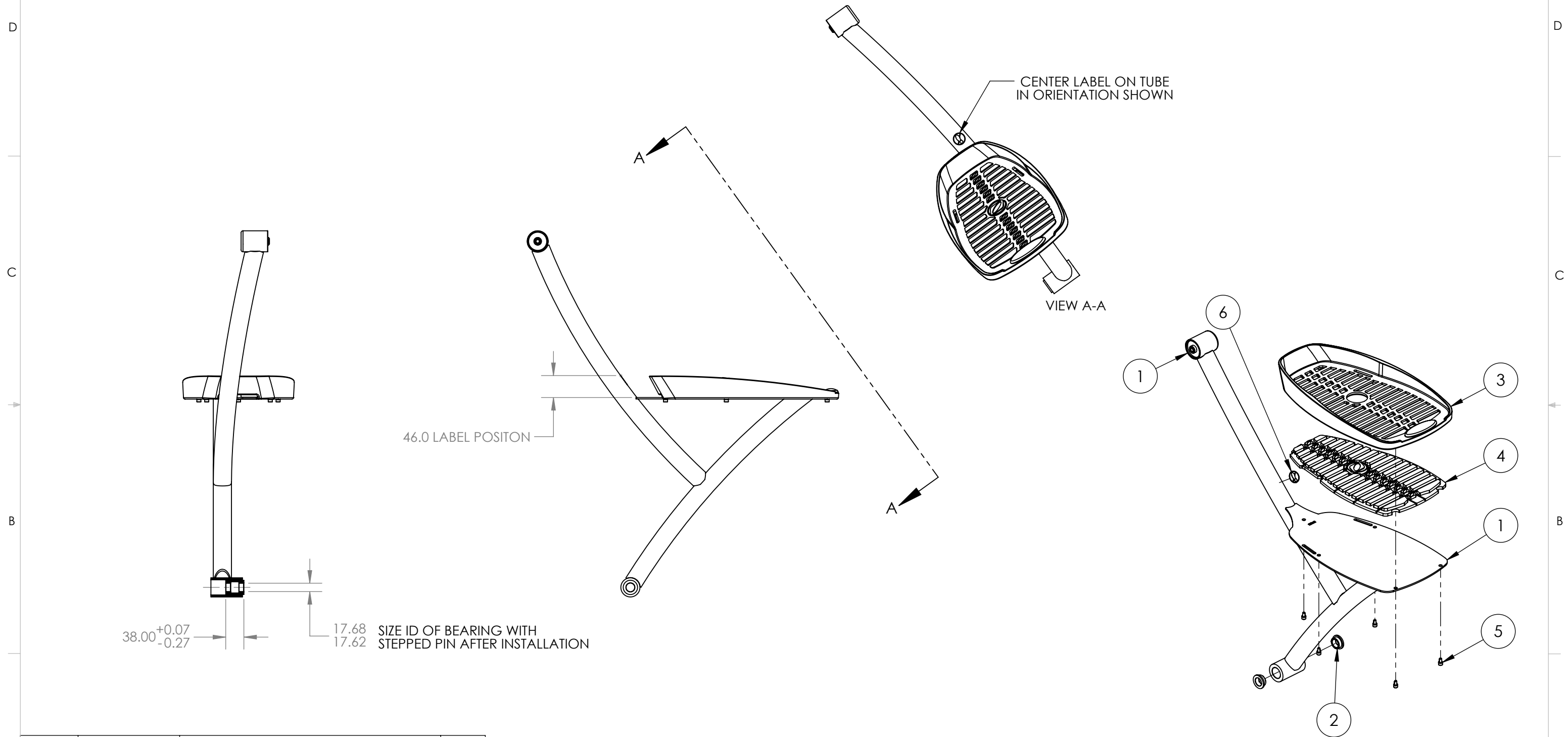
PART DESCRIPTION  
ASSEMBLY, LEVER, PEDAL, LEFT

APPROVALS	DATE	SIZE B	DWG. NO.	REV. A
---	4/21/2011		109204-001	

SCALE 1:8 DO NOT SCALE DRAWING SHEET 1 OF 1

THE INFORMATION CONTAINED IN THIS DRAWING IS THE SOLE PROPERTY OF OCTANE FITNESS. ANY REPRODUCTION IN PART OR WHOLE WITHOUT THE WRITTEN PERMISSION OF OCTANE FITNESS IS PROHIBITED.

REV	DESCRIPTION	ECN #	DATE	ENG
1	RELEASE FOR PROTOTYPE		3/31/2014	PRS
A	RELEASE FOR PRODUCTION	001-00-015502	5/20/2014	PRS



38.00<sup>+0.07</sup>/<sub>-0.27</sub> 17.68 17.62 SIZE ID OF BEARING WITH STEPPED PIN AFTER INSTALLATION

46.0 LABEL POSITON

CENTER LABEL ON TUBE IN ORIENTATION SHOWN

VIEW A-A

ITEM NO.	PART NUMBER	DESCRIPTION	QTY
1	109207-001	WELDMENT, LEVER, PEDAL, RIGHT	1
2	100375-001	BEARING, FLANGED, 18 DIA.	2
3	106270-001	PEDAL, SOFT TREAD	1
4	106277-001	INSERT, RUBBER TREAD, WIDE PEDAL	1
5	101298-001	SCREW, M5 X 0.8 X 10.0L SHCS, BLACK ZINC, 12.9 STL, SPRING WASHER	5
6	103069-001	LABEL, FOOT	1

NOTES:

- TORQUE FASTENER TO 5 N-M (3.5 FT-LBS)
- OCTANE FITNESS ENGINEERING APPROVAL ON FIRST SAMPLE AND VENDOR INSPECTION REPORT REQUIRED PRIOR TO PRODUCTION FROM NEW OR REVISED TOOLING.
- SUPPLIER MUST SUPPLY A DECLARATION OF COMPLIANCE WITH EUROPEAN COUNCIL DIRECTIVE 2002/95/EC, ON THE RESTRICTION OF USE OF CERTAIN HAZARDOUS SUBSTANCES (RoHS).

UNLESS OTHERWISE SPECIFIED DIMENSIONS ARE IN MILLIMETERS

**TOLERANCES ARE:**

DECIMALS	ANGLES
.X ±0.6	±0.5°
.XX ±0.20	
.XXX ±0.100	

**OCTANE FITNESS**  
Fuel Your Life

PART DESCRIPTION  
ASSEMBLY, LEVER, PEDAL, RIGHT

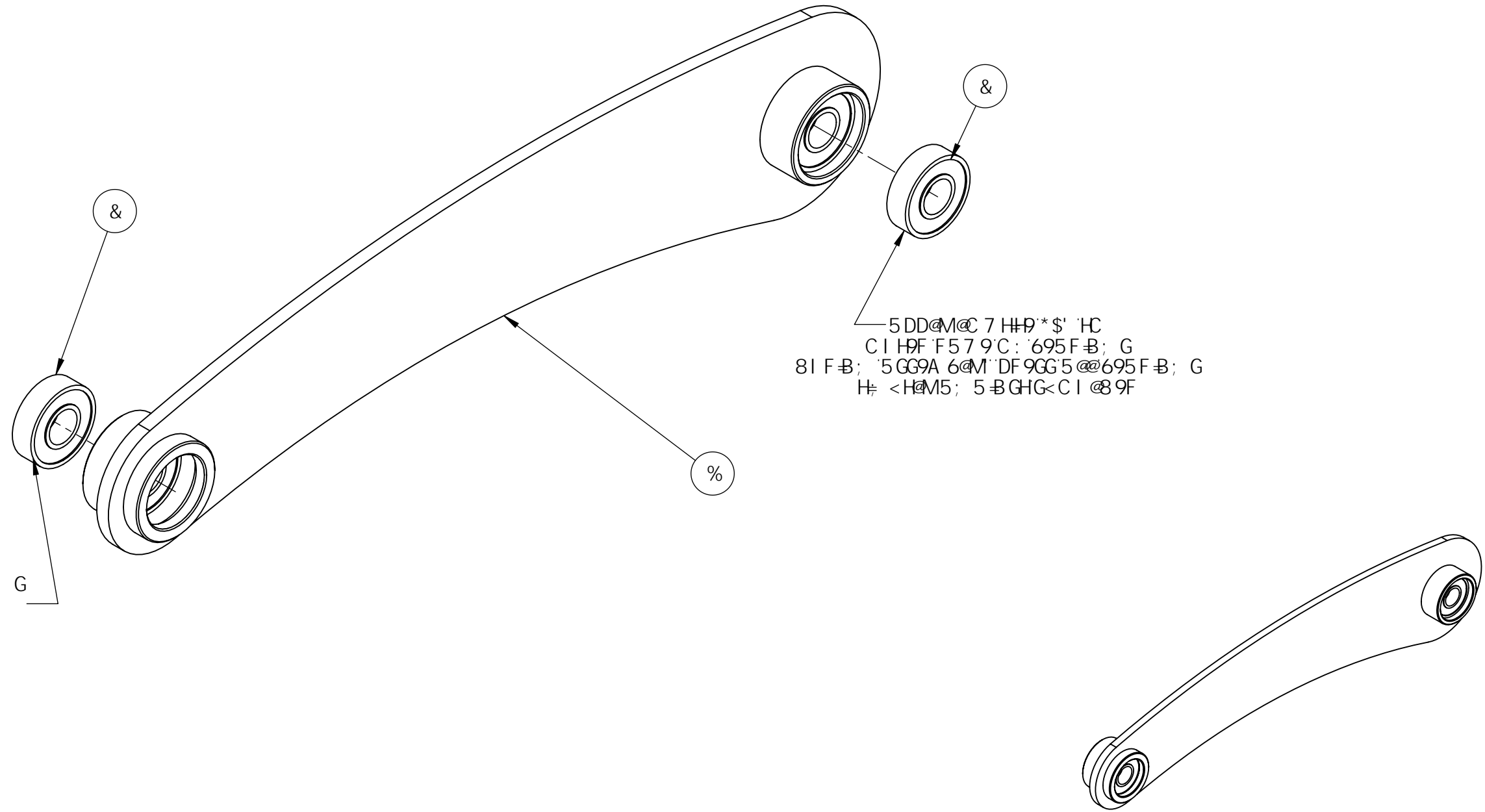
APPROVALS	DATE	SIZE B	DWG. NO.	REV. A
---	4/21/2011		109206-001	A

SCALE 1:8 DO NOT SCALE DRAWING SHEET 1 OF 1

H:9 B: CFA 5HC B 7 C BH5 B 98 B H:6 8F5K B: "G H:9 GC @DFC D9FH  
 C: C 7H5B9: #B9G 5BMF9DFC 8I 7HC B B D5FHC F K <C @K #K C I H  
 H:9K F #H9 D9FA 6GC B C: C 7H5B9: #B9GG GDFC <6#98"

5DD@7 56@C 7H5B9: #B9GG GD97 ÷ 7 5HC BG	
GD97 BC "	GD97 ÷ 7 5HC B H#9
C: G \$\$\$	5DD@7 5HC B C: @C 7H#9: CF 695F-B; F9#BHC B
DH\$\$\$\$	695F-B; DF9GG CI H: CF79

F9J	8 9G7 F DHC B	97 B	85H9	9B;
%	F 9@95 G9: C F DFC HC HMD9		' # %&\$%{(	DFG
5	F 9@95 G9: C F DFC 8I 7HC B	\$\$\$!\$!\$%) \$&	) #&\$#&\$%{(	DFG
6	7 <5B; 9HC 7 \$'695F-B;	\$\$&*-\$	(# \$#&\$%	F5<



5DD@M@C 7H#9\*\$' HC  
 C I H9F F579C: 695F-B; G  
 8I F-B; 5GG9A 6@M DF9GG5 @695F-B; G  
 H: <HM5; 5-BGHG<C I @89F

5DD@M@C 7H#9\*\$' HC  
 C I H9F F579C: 695F-B; G  
 8I F-B; 5GG9A 6@M DF9GG5 @695F-B; G  
 H: <HM5; 5-BGHG<C I @89F

#9A BC "	D5FH BI A 69F	8 9G7 F DHC B	E m!
%	%\$- &\$-!\$\$%	K 9@8A 9BH I DD9F @B?ž@: H	%
&	%% %' !\$\$%	695F-B; ž65@z* \$\$\$ž7 \$	(

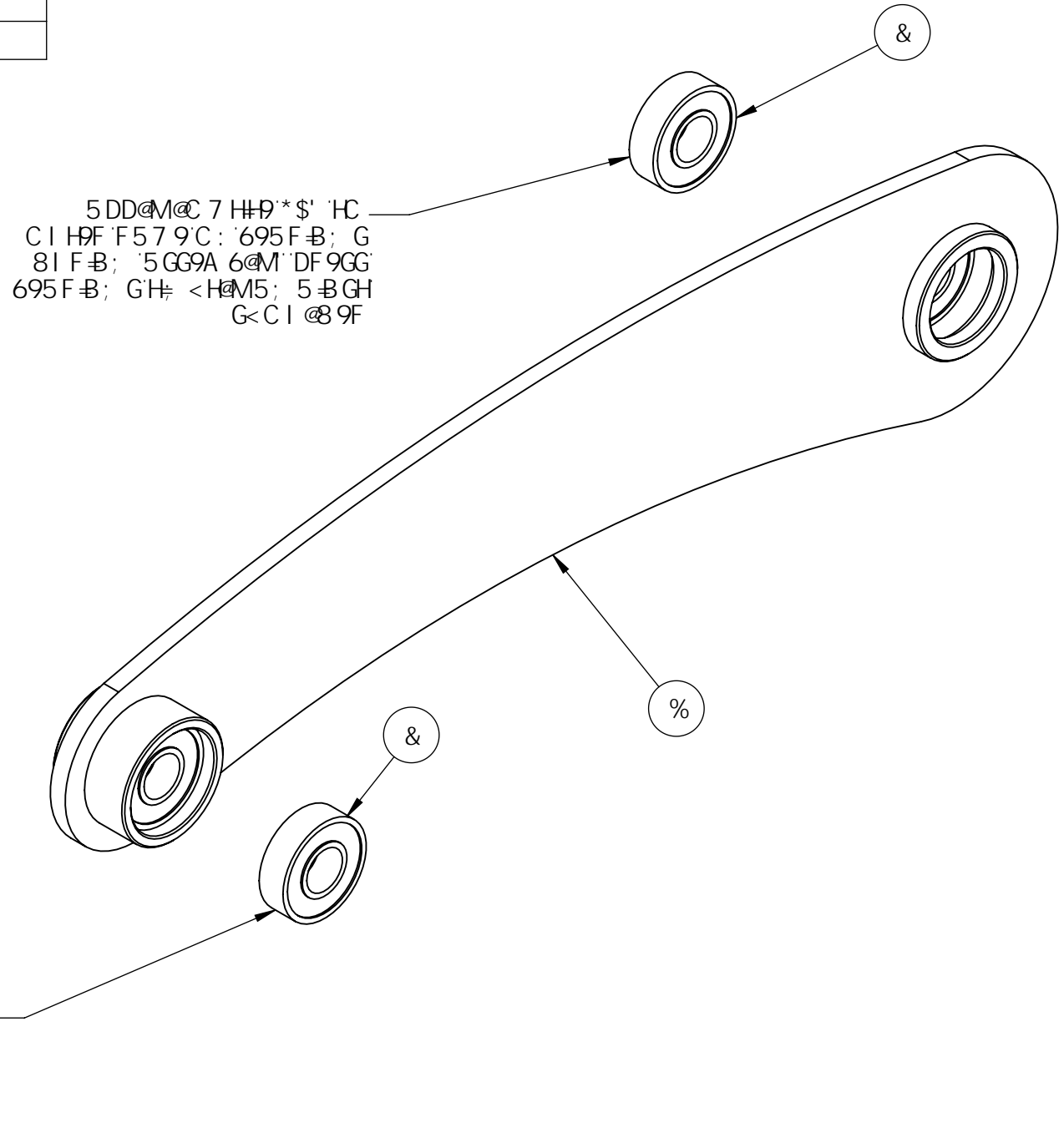
BC H9G  
 % C 7H5B9: #B9GG 9B; B 99F-B; 5DDFC J 5@C B: FGHG5A D@  
 5B8 J 9B8C F BGD97 HC B F9DC FHF 9E I F98 DF € F HC  
 DFC 8I 7HC B: FCA B9K C F F9J 698 HC C @B; "  
 & G I DD@9F A I GHG I DD@M5 897 @F5HC B C: 7CA D@5B79  
 K #k 9I FC D95B 7C I B7 @8 F 97 HJ 9'&\$\$#- ) #97 žC B H:9  
 F9GF 7 HC B C: I G9C: 7 9FH5-B <5N5F8C I G I 6G5B7 9G  
 fFc <GL"

I B@9G C H:9K 69 GD97 +98 8A 9BGC BG 5F9 B A @8A 9HFG HC @F5B7 9G 5F9 897 A 5@G 5B: @G LL ±\$% LLL ±\$%	758: 9B9F5H98 8F5K B: 2 8C BCHA 5BI 5@M1 D85H9	<b>C7H5B9: =HB9GG</b> : i Y Mif @ZY	
A 5HF-5@	5DDFC J 5@G	85H9	U@UJV/00U0U@V@P
8F5K B	>7 K	' #&#&\$\$,	5 GG9A 6@M I DD9F @B?ž@: H
:B 6<	G99 BC H9G	7<97798 !!!	LL!LL!LL
8C B'CH G7 5@8 F5K B:	G99 BC H9G	F9@9B: !!!	LL!LL!LL
		A: 9B: !!!	LL!LL!LL
		E I 5@9B: !!!	LL!LL!LL
		GA9 6	8K: "BC" %\$- &\$, !\$\$%
		G7 5@9 %%) 758: @9	F9J 6
		G<99H C: %	

H:9 B: CFA 5HC B 7 C BH5 B 98 B H:6 8F5K B: "G H:9 GC @DFC D9FHM  
 C: C 7H5B9: #B9GG 5BMF9DFC 8I 7HC B B D5FHCF K <C @K #K C I H  
 H:9K F #H9B D9FA 6GC B C: C 7H5B9: #B9GG GDFC <6#98"

5DD@7 56@C 7H5B9: #B9GG GD97 ÷ 7 5HC BG	
GD97 BC "	GD97 ÷ 7 5HC B H#9
C: G \$\$\$	5DD@7 5HC B C: @C 7H#9: CF 695F-B; F9#BHC B
DH\$\$\$\$	695F-B; DF9GG C I H: CF79

F9J	8 9G7 F DHC B	97 B	85H9	9B;
%	F9@95G9: C F DFC HC HMD9		' # %&\$%(	DFG
5	F9@95G9: C F DFC 8I 7HC B	\$\$\$!\$!\$%) \$&	) #&\$#&\$%(	DFG
6	7 <5B; 9HC 7 \$'695F-B;	\$\$&*-\$	(# \$#&\$%	F5<



5DD@M@ 7H#9\*\$' HC  
 C I H9F F579C: 695F-B; G  
 8I F-B; 5GG9A 6@M DF9GG  
 695F-B; G H: <H@M5; 5-BGH  
 G<C I @89F

5DD@M@ 7H#9\*\$' HC  
 C I H9F F579C: 695F-B; G  
 8I F-B; 5GG9A 6@M DF9GG  
 695F-B; G H: <H@M5; 5-BGH  
 G<C I @89F

BC H9G  
 % C 7H5B9: #B9GG 9B; B99F-B; 5DDFC J 5@C B: FGHG5A D@  
 5B8 J 9B 8C F BGD97 HC B F9DC FHF9E I F98 DF € F HC  
 DFC 8I 7HC B: FCA B9K C F F9J 698 HC C @B; "  
 &" G I DD@9F A I GHG DD@M5 897 @5F5HC B C: 7 C A D@5B 7 9  
 K #k 9I FC D95B 7 C I B7 @8 F97 HJ 9&\$\$&#-) #97 ZC B H:9  
 F9GH ÷ 7 HC B C: I G9C: 7 9FH5-B <5N5F8C I GG 6GH5B 7 9G  
 ff c <GL"

#9A BC "	D5FH BI A 69F	8 9G7 F DHC B	E m!
%	%\$- &%!\$\$\$	K 9@8A 9BHZ I DD9F @B? F ÷ <H	%
&	%% %' !\$\$\$	695F-B; Z65 @Z * \$\$\$Z7 \$	(

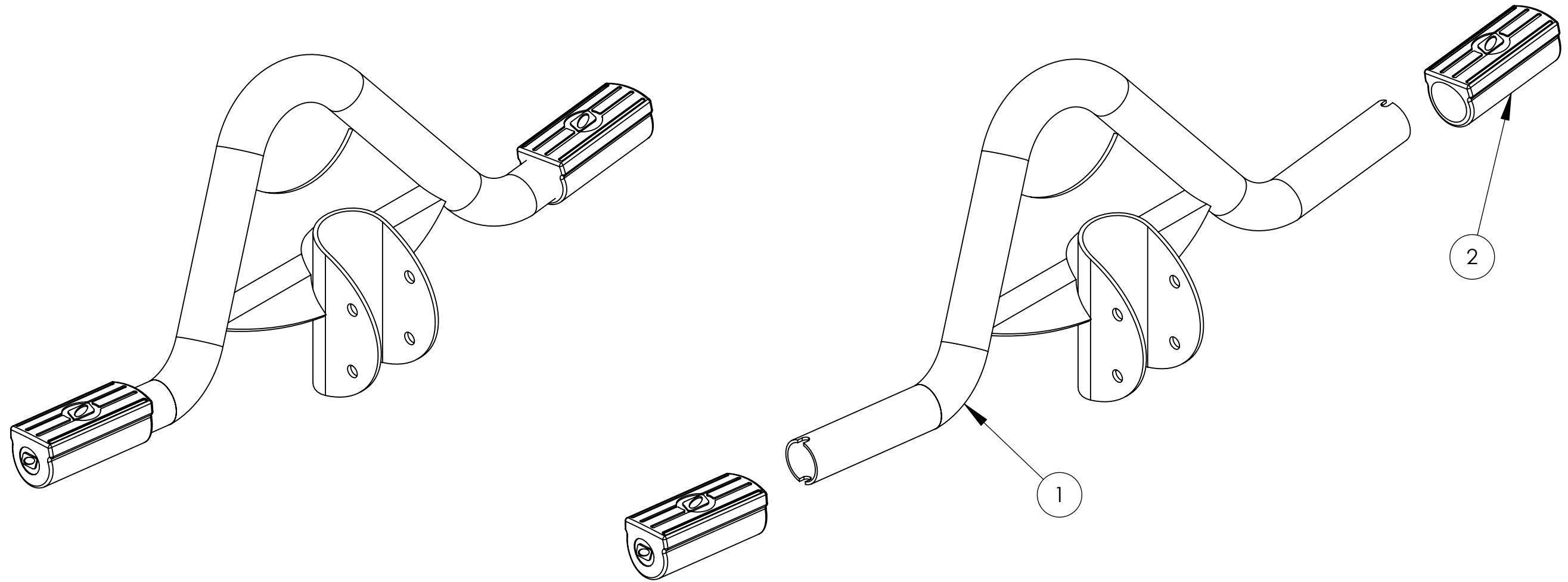
I B@9G C H:9K @9 CD97 +98 8 A 9BGC BG 5F9 B A @8A 9HFG HC @F5B7 9G 5F9 897 A 5@G 5B: @G LL ±\$% LLL ±\$%	758: 9B9F5H98 8F5K B: 2 8C BCH A 5B I 5@M I D85H9	<b>C7H5B9: =HB9GG</b> : i Y M i f @ZY	
5DDFC J 5@G 8F5K B >7 K	85H9 ' #&#&\$\$,	U@EJV@OU@U@V@P 5GG9A 6@M I DD9F @B? ZF ÷ <H	
A 5HF-5@ G99 BC H9G	7<97798 !!! F9GD 9B: !!!	LL!LL!LL LL!LL!LL	
:B6< G99 BC H9G	A: 9B: !!! E I 5@9B: !!!	LL!LL!LL LL!LL!LL	
8C BCH G7 5@ 8F5K B:		LL!LL!LL	

8  
7  
5

8  
7  
6  
5

THE INFORMATION CONTAINED IN THIS DRAWING IS THE SOLE PROPERTY OF OCTANE FITNESS. ANY REPRODUCTION IN PART OR WHOLE WITHOUT THE WRITTEN PERMISSION OF OCTANE FITNESS IS PROHIBITED.

REV	DESCRIPTION	ECN #	DATE	ENG
1	RELEASE FOR PROTOTYPE		3/31/2014	PRS
A	RELEASE FOR PRODUCTION	001-00-015502	5/20/2014	PRS



NOTES:

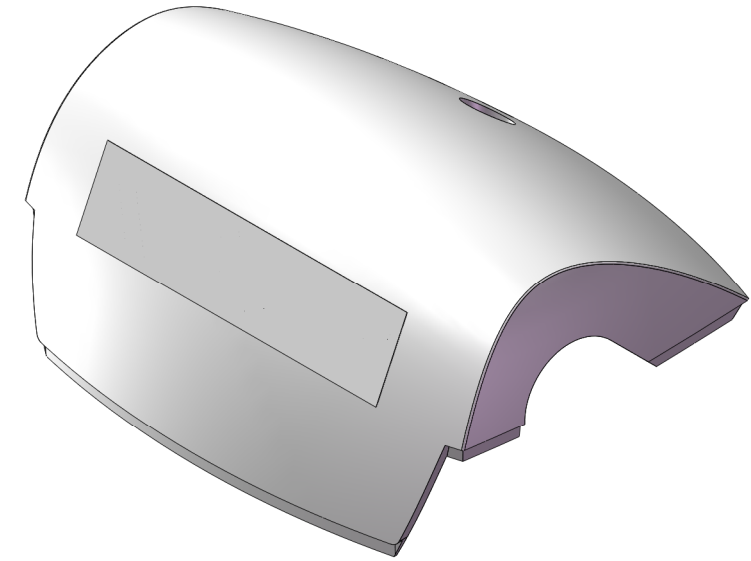
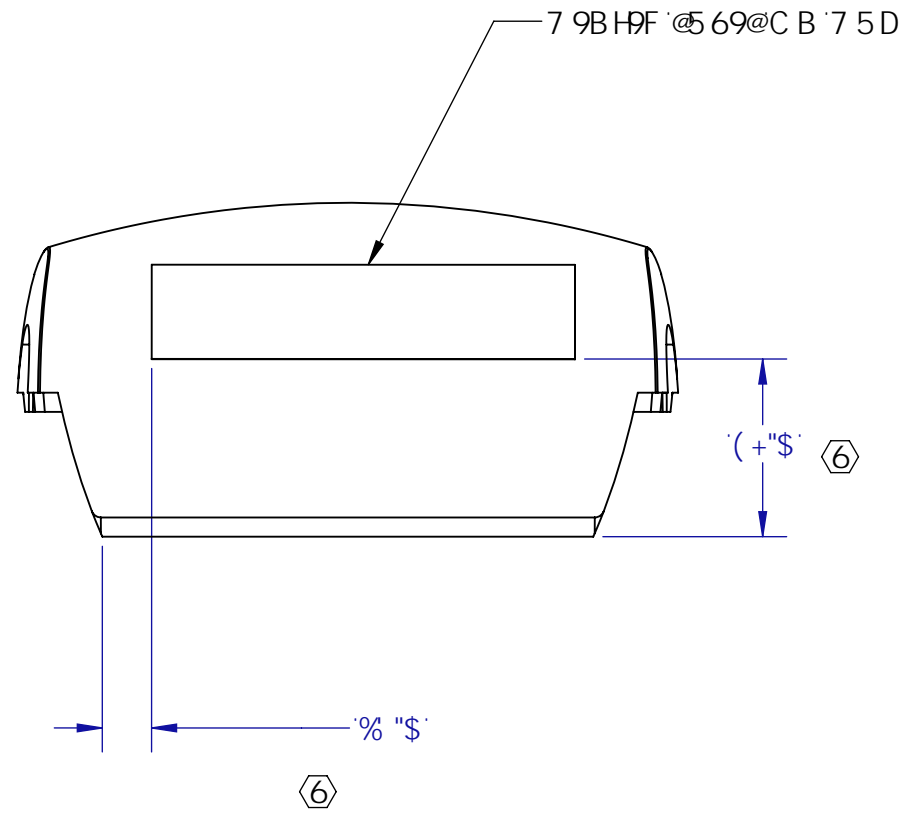
1. MATERIAL: SEE INDIVIDUAL DRAWINGS
2. FINISH: NONE
3. REMOVE ALL BURRS AND SHARP EDGES.
4. OCTANE FITNESS ENGINEERING APPROVAL ON FIRST SAMPLES AND VENDOR INSPECTION REPORT REQUIRED PRIOR TO PRODUCTION FROM NEW OR REVISED TOOLING.
5. CAD GENERATED MODEL. ANY DIMENSIONS NOT ON THIS PRINT SHOULD BE EXTRACTED FROM THE CAD MODEL. CAD MODEL IS DRIVING DOCUMENT.
6. SUPPLIER MUST SUPPLY A DECLARATION OF COMPLIANCE WITH EUROPEAN COUNCIL DIRECTIVE 2002/95/EC, ON THE RESTRICTION OF USE OF CERTAIN HAZARDOUS SUBSTANCES (RoHS).

ITEM NO.	PART NUMBER	DESCRIPTION	QTY.
1	109214-001	WELDMENT, FOOT REST	1
2	102713-001	GRIP, FOOT REST	2

UNLESS OTHERWISE SPECIFIED DIMENSIONS ARE IN MILLIMETERS		CAD GENERATED DRAWING, DO NOT MANUALLY UPDATE		<b>OCTANE FITNESS</b> <i>Fuel Your Life</i>	
<b>TOLERANCES ARE:</b> DECIMALS ANGLES .X ±0.6 ±0.5° .XX ±0.2 .XXX ±0.1		APPROVALS	DATE		
MATERIAL		DRAWN	5/29/2008	ASSEMBLY, FOOT REST	
FINISH		CHECKED	XX-XX-XX	SIZE DWG. NO.	
DO NOT SCALE DRAWING		RESP ENG	XX-XX-XX	B 109213-001	
		MFG ENG	XX-XX-XX	SCALE 1:3	
		QUAL ENG	XX-XX-XX	CAD FILE: SHEET 1 OF 1	
				REV. A	

H:9 B: CFA 5HC B 7 C BH5 B 98 B H 6 8F5K B: G H 9 GC @DFC D9FHM  
 C: C 7 H5 B9: #B 9GG 5BMF 9DFC 8I 7 HC B B D5FHCF K < C @K #K C I H  
 H:9 K F #H B D9FA 6GC B C: C 7 H5 B9: #B 9GG 6DFC < 6 #B

F 9J	8 9G7 F DHC B	97 B	8 5H9	9B;
%	F 9@95 G9: C F DFC HC HMD9		( #&#&\$%{	DFG
5	F 9D@7 98 '8 97 5 @f#H A '&L K #K 'B ?' HF 5BG 9F ZF 9@95 G9: C F DFC 8I 7 HC B	\$\$\$!\$\$\$) \$&	) #&#&\$%{	DFG
6	I D8 5H9 8 A G: C F F9J "6' C: '8 97 5 @	\$\$\$!\$\$\$) +\$\$	* #& ( #&\$%*	F 5 <



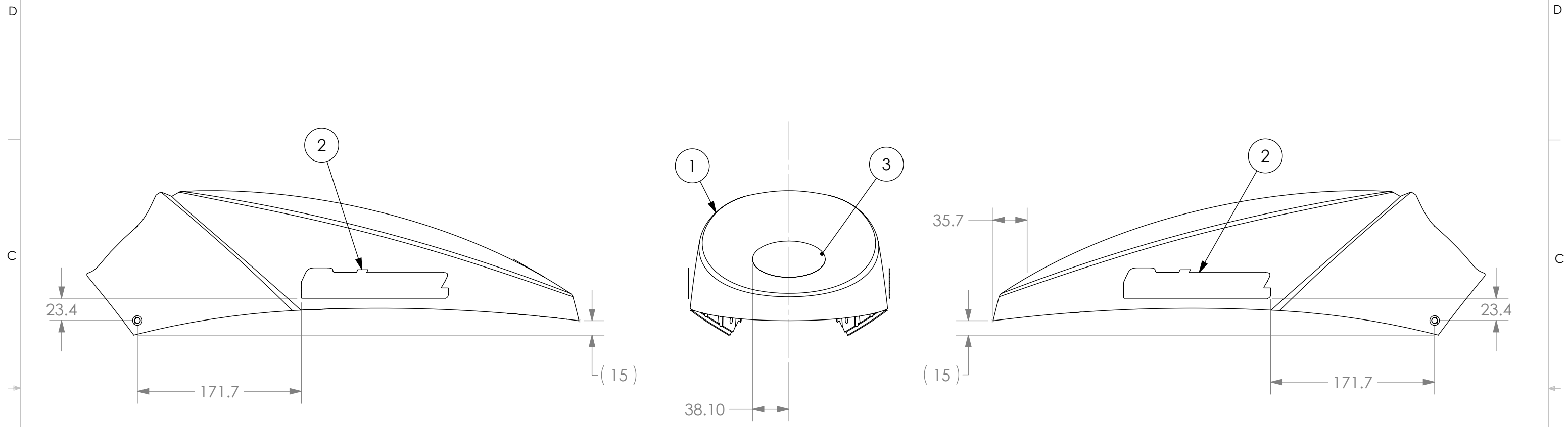
BC H9G  
 % @5 69@A I GHBC H69'K F B? @98 'K < 9B '5 DD@98 'HC 'H< 9'7 5D"  
 & C 7 H5 B9: #B 9GG 9B: B 99F B; '5 DDFC J 5 @C B: F GHG5A D@9G 5B8  
 J 9B 8C F B GD97 HC B F9DC FHF 9E I #98 'DF € F HC DFC 8I 7 HC B: FCA  
 B 9K 'C F F9J 698 'HC C @B: "  
 ' 7 58: '9B 9F5H98 'A C 89@' 5BM8 A 9BGC BG'BC HC B 'H< G'DF B H  
 G< C I @8 '69 9LH 57 H98: FCA 'H< 9'7 58 'A C 89@' 7 58 'A C 89@G'  
 8F J B: '8C 7 I A 9BH  
 (" GI DD@9F 'A I GHGI DD@M5 '8 97 @5 F5HC B 'C: '7 CA D@5 B 7 9'K #K  
 9I FC D95 B '7 C I B 7 @8 F 97 HJ 9 &\$\$&#-) #97 ZC B 'H< 9'F 9GH F 7 HC B 'C:  
 I G9' C: '7 9FH5 B < 5 N5F8 C I G'G I 6GH5 B 7 9G'fFc < GL"

#DA BC "	D5FH BI A 69F	8 9G7 F DHC B	E HM
%	%\$- &% !\$\$\$%	7 5D ZF 95F 'G< FC I 8	%
&	%\$- ' ) +!\$\$\$%	8 97 5 @LF 8 9ZC I H@B 9	%

I B@9G C H 9K 69' CD97 +98 8 A 9BGC BG 5F9 'B A @8A 9HFG H C @F5B 7 9G 5F9 8 97 A 5 @G '5B: @9G L L ±\$% L L L ±\$%	7 58: 9B 9F5H98 8F5K B: 2 8C 'BCH A 5B I 5 @M I D85H9	<b>C7H5B9: =HB 9GG</b> : i Y 'M i f @ZY	
5DDFC J 5@G	8 5H9	U@EJV@OUU@V@P	
8F5K B	' #& ' #&\$,\$	5 GG9A 6 @M 7 5 Dž G< FC I 8 ž F 95 F	
A 5HF 5@	7 < 97 7 98 !!!	LL L L L L L	
G99 BC H9G	F 9D 9B: !!!	LL L L L L L	
: B G<	A: ' 9B: !!!	LL L L L L L	
G99 BC H9G	E I 5 @9B: !!!	LL L L L L L	
8C 'BCH G 7 5 @9 8F5K B:		LL L L L L L	
	GAP 6	8K: "BC"	%\$- &% !\$\$\$%
	G7 5 @9 %&	7 58: @9	F 9J ' 6
		G< 99H C: %	

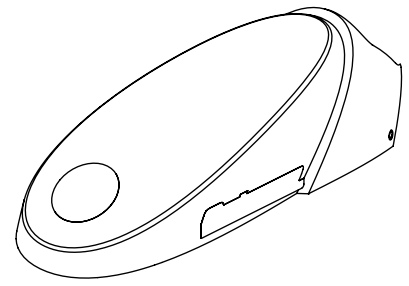
THE INFORMATION CONTAINED IN THIS DRAWING IS THE SOLE PROPERTY OF OCTANE FITNESS. ANY REPRODUCTION IN PART OR WHOLE WITHOUT THE WRITTEN PERMISSION OF OCTANE FITNESS IS PROHIBITED.

REV	DESCRIPTION	ECN #	DATE	ENG
1	RELEASE FOR PROTOTYPE		4/2/2014	PRS
A	RELEASE FOR PRODUCTION	001-00-015502	5/20/2014	PRS



NOTES:

- OCTANE FITNESS ENGINEERING APPROVAL ON FIRST SAMPLES AND VENDOR INSPECTION REPORT REQUIRED PRIOR TO PRODUCTION FROM NEW OR REVISED TOOLING.
- SUPPLIER MUST SUPPLY A DECLARATION OF COMPLIANCE WITH EUROPEAN COUNCIL DIRECTIVE 2002/95/EC, ON THE RESTRICTION OF USE OF CERTAIN HAZARDOUS SUBSTANCES (RoHS).

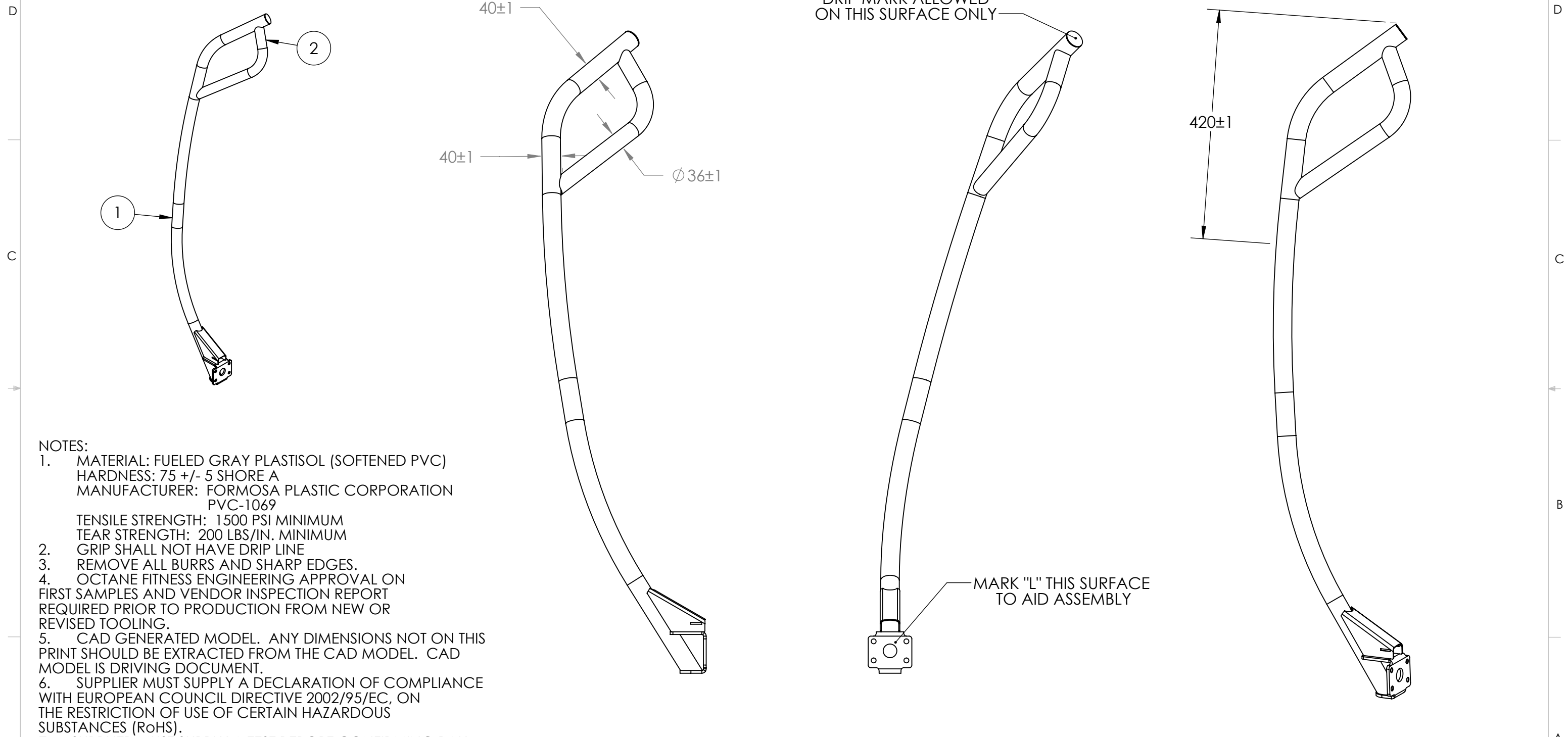


ITEM NO.	PART NUMBER	DESCRIPTION	QTY.
1	102256-001	SHROUD, FRONT, TOP	1
2	108101-001	DECAL, OCTANE FITNESS, SMALL, 2013	2
3	108104-001	DECAL, OCTANE LOGO, LARGE, 2013	1
4	100429-001	SCREW, M4.8 X 1.6 X 13 TYPE B, TYPE 1 CROSS RECESS PAN HEAD, ST, BZ	1
5	102470-001	PLATE, HOOD MOUNT	1

<small>UNLESS OTHERWISE SPECIFIED DIMENSIONS ARE IN MILLIMETERS</small> <b>TOLERANCES ARE:</b> DECIMALS ANGLES .X ±0.6 ±0.5° .XX ±0.2 .XXX ±0.1	<small>CAD GENERATED DRAWING, DO NOT MANUALLY UPDATE</small>		<b>OCTANE FITNESS</b> <i>Fuel Your Life</i>	
	<small>APPROVALS</small> DRAWN M.NESTANDE		<small>DATE</small> 1/21/2008	
	<small>CHECKED</small> ---		<small>DATE</small> XX-XX-XX	
	<small>RESP ENG</small> ---		<small>DATE</small> XX-XX-XX	
	<small>MFG ENG</small> ---		<small>DATE</small> XX-XX-XX	
<small>QUAL ENG</small> ---		<small>DATE</small> XX-XX-XX		<small>SCALE</small> 1:4
<small>DO NOT SCALE DRAWING</small>		<small>SCALE</small> 1:4		<small>CAD FILE:</small> 109221-001
			<small>SIZE</small> B	<small>REV.</small> A
				<small>SHEET 1 OF 1</small>

THE INFORMATION CONTAINED IN THIS DRAWING IS THE SOLE PROPERTY OF OCTANE FITNESS. ANY REPRODUCTION IN PART OR WHOLE WITHOUT THE WRITTEN PERMISSION OF OCTANE FITNESS IS PROHIBITED.

REV	DESCRIPTION	ECN #	DATE	ENG
1	RELEASE FOR PROTOTYPE		3/31/2014	PRS
A	RELEASE FOR PRODUCTION	001-00-015502	5/20/2014	PRS



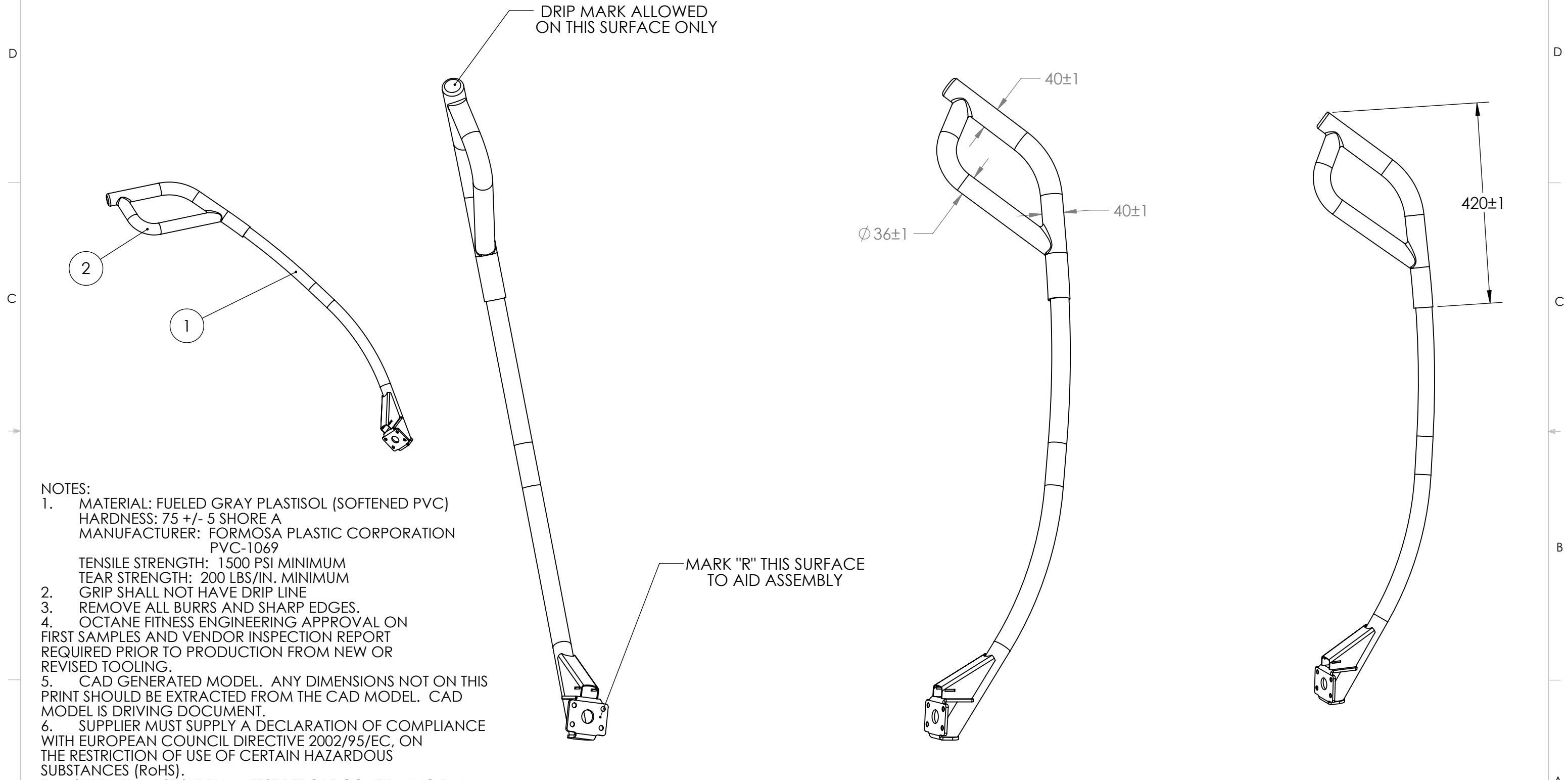
- NOTES:
- MATERIAL: FUELED GRAY PLASTISOL (SOFTENED PVC)  
HARDNESS: 75 +/- 5 SHORE A  
MANUFACTURER: FORMOSA PLASTIC CORPORATION  
PVC-1069  
TENSILE STRENGTH: 1500 PSI MINIMUM  
TEAR STRENGTH: 200 LBS/IN. MINIMUM
  - GRIP SHALL NOT HAVE DRIP LINE
  - REMOVE ALL BURRS AND SHARP EDGES.
  - OCTANE FITNESS ENGINEERING APPROVAL ON FIRST SAMPLES AND VENDOR INSPECTION REPORT REQUIRED PRIOR TO PRODUCTION FROM NEW OR REVISED TOOLING.
  - CAD GENERATED MODEL. ANY DIMENSIONS NOT ON THIS PRINT SHOULD BE EXTRACTED FROM THE CAD MODEL. CAD MODEL IS DRIVING DOCUMENT.
  - SUPPLIER MUST SUPPLY A DECLARATION OF COMPLIANCE WITH EUROPEAN COUNCIL DIRECTIVE 2002/95/EC, ON THE RESTRICTION OF USE OF CERTAIN HAZARDOUS SUBSTANCES (RoHS).
  - SUPPLIER MUST SUPPLY A TEST REPORT CONFIRMING PAH COMPLIANCE PER EN 1186ff CATEGORY 2.

ITEM NO.	PART NUMBER	DESCRIPTION	QTY.
1	109225-001	WELDMENT, LEFT MULTI-GRIP, xR6	1
2	103995-001_ITEM	PVC DIP	1

UNLESS OTHERWISE SPECIFIED DIMENSIONS ARE IN MILLIMETERS		CAD GENERATED DRAWING, DO NOT MANUALLY UPDATE		<b>OCTANE FITNESS</b> <i>Fuel Your Life</i>	
<b>TOLERANCES ARE:</b> DECIMALS ANGLES .X ±0.6 ±0.5° .XX ±0.2 .XXX ±0.1		APPROVALS	DATE	PART DESCRIPTION	
MATERIAL SEE NOTES		DRAWN MRN	2/24/09	ASSEMBLY, LEFT MULTI-GRIP, xR6	
FINISH SEE NOTES		CHECKED ---	XX-XX-XX	REV. A	
DO NOT SCALE DRAWING		RESP ENG ---	XX-XX-XX	SIZE B	DWG. NO. 109224-001
		MFG ENG ---	XX-XX-XX	SCALE 1:7	CAD FILE:
		QUAL ENG ---	XX-XX-XX	SHEET 1 OF 1	

THE INFORMATION CONTAINED IN THIS DRAWING IS THE SOLE PROPERTY OF OCTANE FITNESS. ANY REPRODUCTION IN PART OR WHOLE WITHOUT THE WRITTEN PERMISSION OF OCTANE FITNESS IS PROHIBITED.

REV	DESCRIPTION	ECN #	DATE	ENG
1	RELEASE FOR PROTOTYPE		3/31/2014	PRS
A	RELEASE FOR PRODUCTION	001-00-015502	5/20/2014	PRS



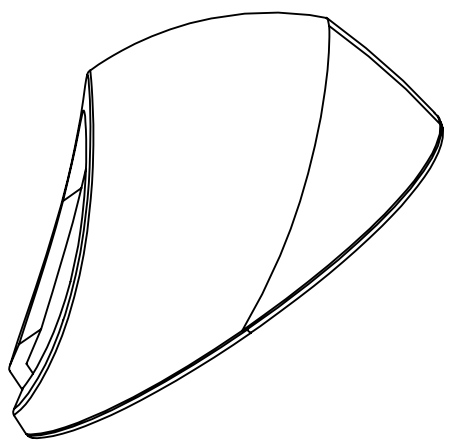
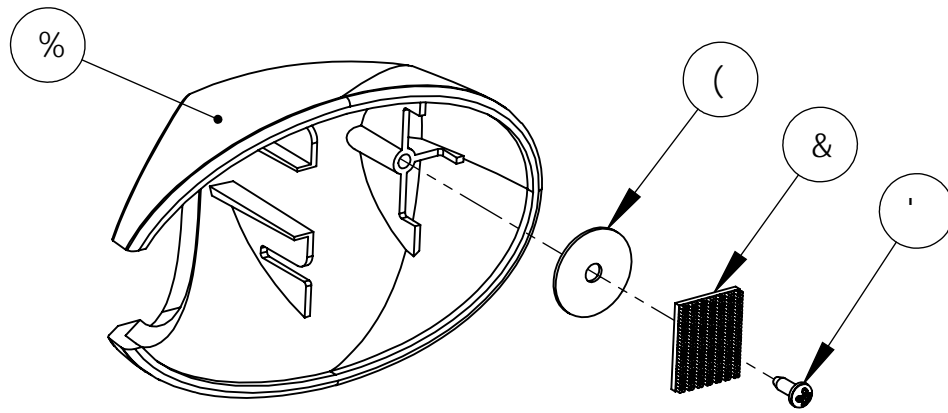
- NOTES:
- MATERIAL: FUELED GRAY PLASTISOL (SOFTENED PVC)  
HARDNESS: 75 +/- 5 SHORE A  
MANUFACTURER: FORMOSA PLASTIC CORPORATION  
PVC-1069  
TENSILE STRENGTH: 1500 PSI MINIMUM  
TEAR STRENGTH: 200 LBS/IN. MINIMUM
  - GRIP SHALL NOT HAVE DRIP LINE
  - REMOVE ALL BURRS AND SHARP EDGES.
  - OCTANE FITNESS ENGINEERING APPROVAL ON FIRST SAMPLES AND VENDOR INSPECTION REPORT REQUIRED PRIOR TO PRODUCTION FROM NEW OR REVISED TOOLING.
  - CAD GENERATED MODEL. ANY DIMENSIONS NOT ON THIS PRINT SHOULD BE EXTRACTED FROM THE CAD MODEL. CAD MODEL IS DRIVING DOCUMENT.
  - SUPPLIER MUST SUPPLY A DECLARATION OF COMPLIANCE WITH EUROPEAN COUNCIL DIRECTIVE 2002/95/EC, ON THE RESTRICTION OF USE OF CERTAIN HAZARDOUS SUBSTANCES (RoHS).
  - SUPPLIER MUST SUPPLY A TEST REPORT CONFIRMING PAH COMPLIANCE PER EN 1186ff CATEGORY 2.

ITEM NO.	PART NUMBER	DESCRIPTION	QTY.
1	109227-001	WELDMENT, RIGHT MULTI-GRIP, xR6	1
2	109226-001item1		1

UNLESS OTHERWISE SPECIFIED DIMENSIONS ARE IN MILLIMETERS <b>TOLERANCES ARE:</b> DECIMALS ANGLES .X ±0.6 ±0.5° .XX ±0.2 .XXX ±0.1		CAD GENERATED DRAWING, DO NOT MANUALLY UPDATE		<b>OCTANE FITNESS</b> <i>Fuel Your Life</i>	
APPROVALS		DATE		PART DESCRIPTION	
DRAWN MRN		2/24/09		ASSEMBLY, RIGHT MULTI-GRIP, xR6	
CHECKED ---		XX-XX-XX		SIZE B	
RESP ENG ---		XX-XX-XX		DWG. NO. 109226-001	
FINISH SEE NOTES		MFG ENG ---		REV. A	
DO NOT SCALE DRAWING		QUAL ENG ---		SCALE 1:7	
		XX-XX-XX		CAD FILE:	
				SHEET 1 OF 1	

H:9 B: C FA 5HC B 7 C BH5 B 98 B H:6 8F5K B: "G H:9 GC @DFC D9FH M  
 C: C 7 H5B9: #B 9GG 5BMF 9DFC 8I 7 HC B B D5FHCF K <C @K #K C I H  
 H:9 K F #H B D9FA 4GGC B C: C 7 H5B9: #B 9GG GDFC <6#B8"

F 9J	8 9G7 F DHC B	97 B	8 5H9	9B;
%	F 9@95 G9: C F DFC HC HMD9		( #&#&\$%(	DFG
5	F 9@95 G9: C F DFC 8I 7 HC B	\$\$\$!\$\$\$) \$&	) #&#&\$%(	DFG
6	, \$&\$(%* K 5G%\$\$, & !\$\$\$ 588 %\$- - * +!\$\$\$	\$\$&-)*	- #/ \$#&\$%	8 7 6



BC H9G

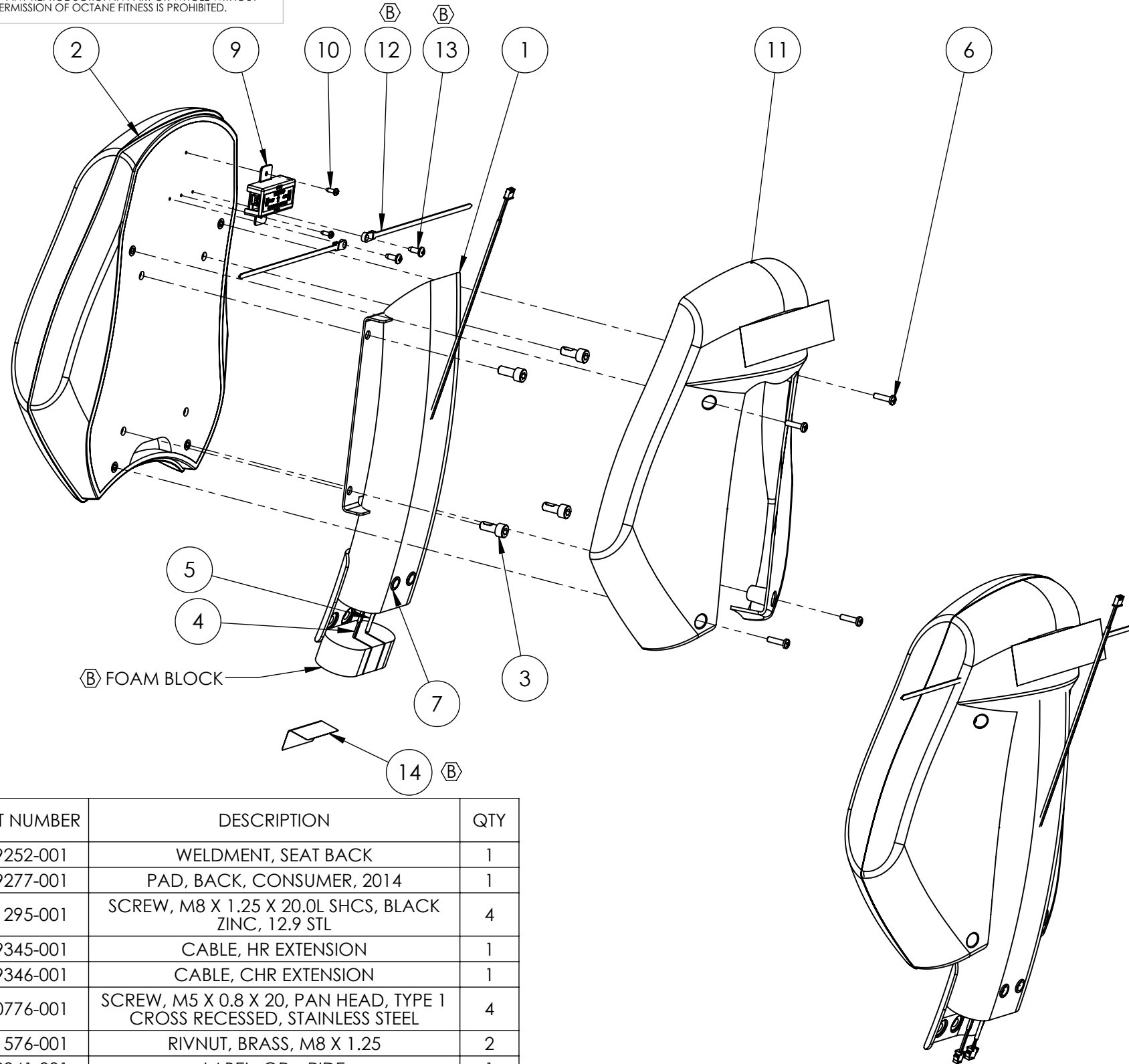
% C 7 H5B9: #B 9GG 9B; B 99F B; 5 DDFC J 5 @C B: F GH  
 G5A D@G 5B8 J 9B8CF BGD97 HC B F9DC FH  
 F9E I F98 DF € F HC DFC 8I 7 HC B: FCA B9K CF  
 F9J 698 HC C @B; "  
 &" 7 58; 9B9F5H98 A C 89@ 5BM8 A 9BG€ BG B C H  
 C B H € DF B HG < C I @ 69 9LH 57 H98: FCA H 9  
 7 58 A C 89@ 7 58 A C 89@ 68 F J B; 8C 7 I A 9B H  
 G I DD@9F A I GHG DD@M5 897 @F5HC B C:  
 7 CA D@5B7 9K #K 9I FC D95B 7 C I B7 @8 F 97 HJ 9  
 &\$\$&#-) #97 Ž C B H 9 F 9GH 7 HC B C: I G9 C:  
 7 9FH5 B < 5N5F8C I G I 6GH5B7 9G ffc < GL"

#9A BC "	D5FH BI A 69F	8 9G7 F DHC B	E HM
%	%- &&- !\$\$\$	7 5 Dž F 95 F GH 5 6 @N9F	%
&	, \$&\$(%*	8 I 5 @ @ C 7 ? GH F Dž &) L & \$ Ž HMD9 &) \$	% (6)
'	%%\$- % !\$\$\$	G7 F 9K ž A ' ") L %" L % \$ HMD9 6ž HMD9 % 7 FC GG F 97 9GG D5 B < 95 8 ž GH 6N	%
(	%%\$- - * +!\$\$\$	K 5 G < 9 F ž) "" L &) I %	% (6)

1 B @9G C H 9K 49 CD97 +9B 8 A 9B GC BG 5F9 B A @8A 9HFG <b>HC @F5B7 9G 5F9</b> 897 A 5 @G 5B: @G LL ±\$% LLL ±\$%		7 58: 9B9F5H98 8F5K B: 2 8C BCHA 5BI 5 @M1 D85H9 5DDFC J 5 @G 85H9 8F5K B (#%#&\$\$, ( #&#&\$%(	<b>C7H5B9: #HB 9GG</b> : i Y Mif @ZY U@EJV@OU@U@V@P 5 GG9A 6 @M 9B 8 7 5 D
A 5HF 5 @	G99 BC H9G	7 < 97 798 !!! LL!LL!LL	G99 BC H9G A: 9B: !!! LL!LL!LL E I 5 @9B: !!! LL!LL!LL
B 6<	G99 BC H9G	G99 BC H9G A: 9B: !!! LL!LL!LL E I 5 @9B: !!! LL!LL!LL	
8C B CH G 7 5 @ 8 F 5 K B:		G7 5 @ % & 7 58: @ % G< 99H C: %	\$\$\$- && !\$\$\$ 6



THE INFORMATION CONTAINED IN THIS DRAWING IS THE SOLE PROPERTY OF OCTANE FITNESS. ANY REPRODUCTION IN PART OR WHOLE WITHOUT THE WRITTEN PERMISSION OF OCTANE FITNESS IS PROHIBITED.



ITEM NO.	PART NUMBER	DESCRIPTION	QTY
1	109252-001	WELDMENT, SEAT BACK	1
2	109277-001	PAD, BACK, CONSUMER, 2014	1
3	101295-001	SCREW, M8 X 1.25 X 20.0L SHCS, BLACK ZINC, 12.9 STL	4
4	109345-001	CABLE, HR EXTENSION	1
5	109346-001	CABLE, CHR EXTENSION	1
6	100776-001	SCREW, M5 X 0.8 X 20, PAN HEAD, TYPE 1 CROSS RECESSED, STAINLESS STEEL	4
7	101576-001	RIVNUT, BRASS, M8 X 1.25	2
8	108041-001	LABEL, QR, xRIDE	1
9	109729-001	ASSEMBLY, COMBO HR MODULE	1
10	100913-001	SCREW, M3.5 X 1.3 X 10 TYPE B, TYPE 1 CROSS RECESS PAN HEAD, ST, BZ	2
11	109243-001	ASSEMBLY, COVER, BACK PAD	1
12	101416-001	CABLE TIE, SCREW MOUNT, M5	2
13	100429-001	SCREW, M4.8 X 1.6 X 13 TYPE B, TYPE 1 CROSS RECESS PAN HEAD, ST, BZ	2
14	110384-001	LABEL, SEAT ASSEMBLY, CABLE WARNING	1

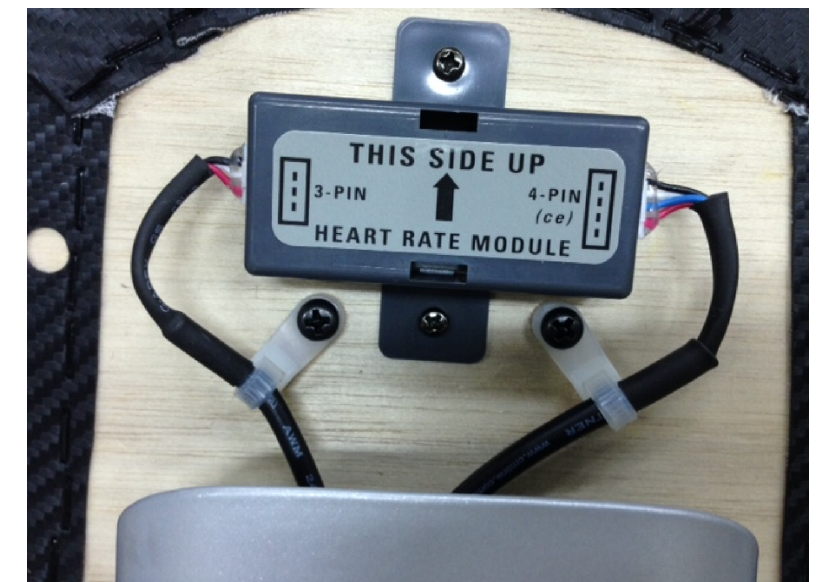
NOTES:

- OCTANE FITNESS ENGINEERING APPROVAL ON FIRST SAMPLE AND VENDOR INSPECTION REPORT REQUIRED PRIOR TO PRODUCTION FROM NEW OR REVISED TOOLING.
- SUPPLIER MUST SUPPLY A DECLARATION OF COMPLIANCE WITH EUROPEAN COUNCIL DIRECTIVE 2011/65/EU, ON THE RESTRICTION OF USE OF CERTAIN HAZARDOUS SUBSTANCES (RoHS).

REV	DESCRIPTION	ECN #	DATE	ENG
1	RELEASE FOR PROTOTYPE		4/15/2014	PRS
A	REMOVED NOTES ON ITEMS 6, 11, 9 AND 10. RELEASE FOR PRODUCTION	001-00-015502	5/21/2014	PRS
B	ADDED ITEMS 12, 13, AND 14. ADDED NOTES	001-00-015545	10/29/2014	PRS



INSERT FOAM BLOCK INTO TUBE TO CONTROL CABLE POSITION. ADHERE LABEL TO BOTH FOAM AND **B** SEATBACK WELDMENT



ATTACH CABLE TIES TO RETAIN HEART RATE CABLES AS SHOWN ABOVE. ENSURE CABLE TIE CLAMPS **B** JUST BELOW HEAT SHRINK

UNLESS OTHERWISE SPECIFIED DIMENSIONS ARE IN MILLIMETERS

TOLERANCES ARE:

DECIMALS ANGLES  
.X ±0.6 ±0.5°  
.XX ±0.20  
.XXX ±0.100

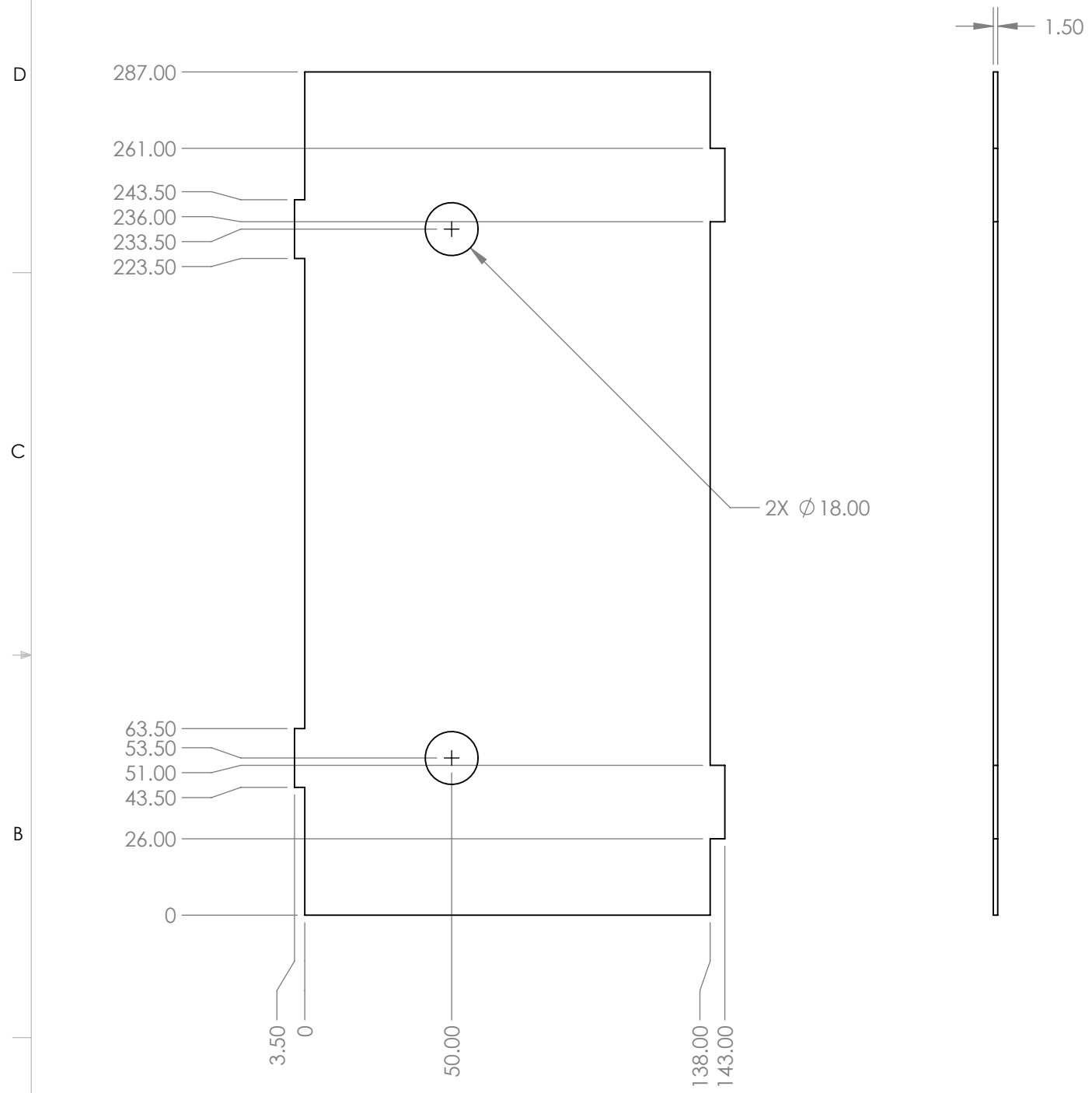
**OCTANE FITNESS**  
*Fuel Your Life*

PART DESCRIPTION  
ASSEMBLY, SEAT BACK

APPROVALS	DATE	SIZE	DWG. NO.	REV.
DRAWN BY	4/15/2014	B	109266-001	B
---		SCALE 1:5	DO NOT SCALE DRAWING	SHEET 1 OF 1

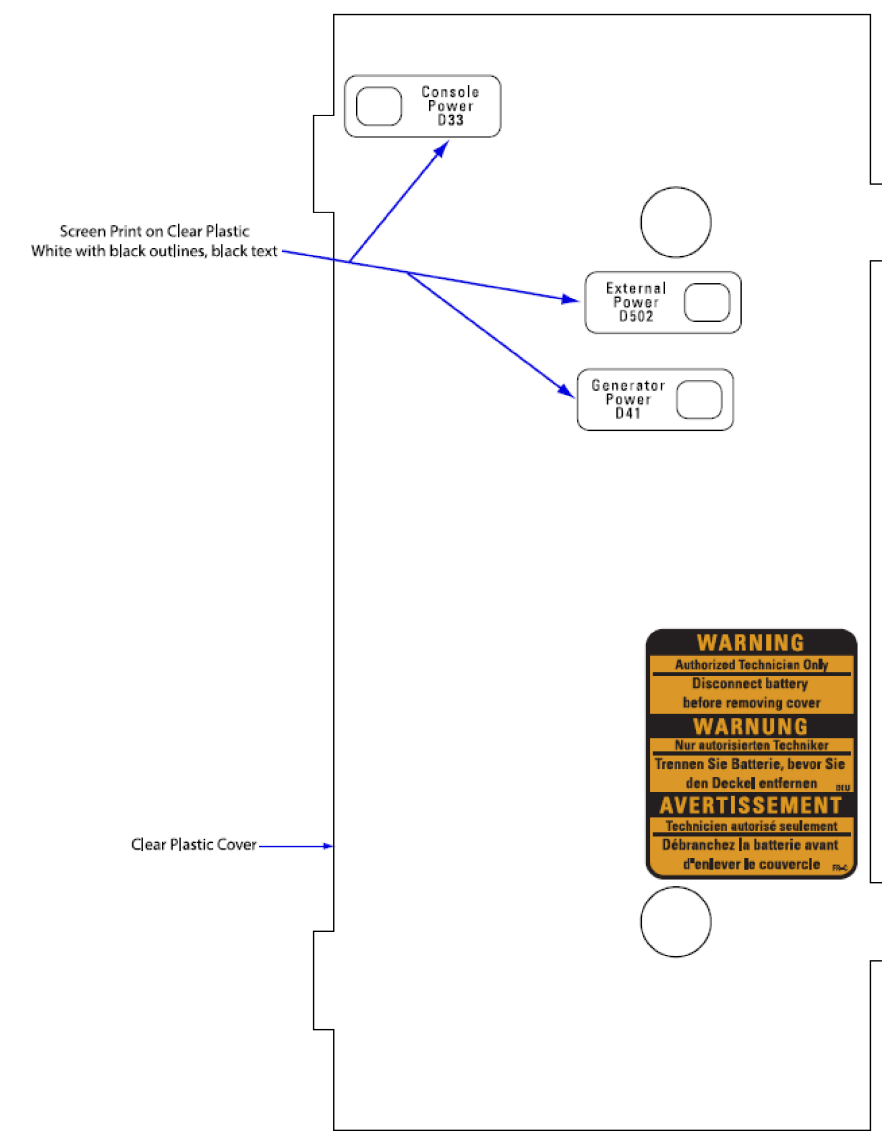
THE INFORMATION CONTAINED IN THIS DRAWING IS THE SOLE PROPERTY OF OCTANE FITNESS. ANY REPRODUCTION IN PART OR WHOLE WITHOUT THE WRITTEN PERMISSION OF OCTANE FITNESS IS PROHIBITED.

REV	DESCRIPTION	ECN #	DATE	ENG
1	QPR		6/6/2014	BHG
2	PILOT RELEASE		10/24/2014	BHG
A	PRODUCTION RELEASE	001-00-015596	3/24/2015	BHG



109664-001 REV A COVER, LOWER CONTROL BOARD

Pantone 131C



**REFERENCE ARTWORK**

- NOTES:
1. MATERIAL: POLYCARBONATE SHEET, CLEAR
  2. FINISH: NONE
  3. SCREEN PRINT ON FRONT SURFACE PER OCTANE SUPPLIED ARTWORK.
  4. REMOVE ALL BURRS AND SHARP EDGES.
  5. OCTANE FITNESS ENGINEERING APPROVAL ON FIRST SAMPLE AND VENDOR INSPECTION REPORT REQUIRED PRIOR TO PRODUCTION FROM NEW OR REVISED TOOLING.
  6. SUPPLIER MUST SUPPLY A DECLARATION OF COMPLIANCE WITH EUROPEAN COUNCIL DIRECTIVE 2002/95/EC, ON THE RESTRICTION OF USE OF CERTAIN HAZARDOUS SUBSTANCES (RoHS).

UNLESS OTHERWISE SPECIFIED DIMENSIONS ARE IN MILLIMETERS		<b>OCTANE FITNESS</b> <i>Fuel Your Life</i>	
<b>TOLERANCES ARE:</b>		PART DESCRIPTION	
<b>DECIMALS</b>	<b>ANGLES</b>	COVER, LOWER CONTROL BOARD	
.X ±0.6	±0.5°		
.XX ±0.20			
.XXX ±0.100			
APPROVALS	DATE	SIZE	DWG. NO.
DRAWN BY		B	109664-001
NRL	7/30/2009	SCALE 1:2	DO NOT SCALE DRAWING
			SHEET 1 OF 1